

An aerial, high-angle photograph of an offshore oil rig, rendered in a monochromatic blue color scheme. The rig's complex structure, including its deck, walkways, and various pieces of equipment, is clearly visible. The background is a dark, textured blue, suggesting the ocean or sky.

PRODUCTS & SOLUTIONS



CHAPTER OVERVIEW

1 CAST IRON

F7305 - F7306 - F7307 - F7308 - F7309 - F7310 - F7353

F7333 - F7333A - F7354 - F7358 - F7359 - F7363 - F7364

F7369 - F7372 - F7373 - F7375 - F7376 - F7377 - F7378

2 CAST STEEL

F7311 - F7312 - F7313 - F7314 - F7315 - F7315S - F7316

F7316S - F7317 - F7317S - F7318 - F7318S - F7319 - F7320

F7350 - F7360 - F7366 - F7471 - F7472 - F7473 - F7474

3 BRONZE

F7301 - F7302 - F7303 - F7304 - F7334 - F7334A/5K

F7334A/10K - F7346 - F7347 - F7348 - F7349 - F7351

F7352 - F7356 - F7367 - F7368 - F7371 - F7387 - F7388

F7389 - F7409 - F7410 - F7411 - F7412 - F7413 - F7414

4 BUTTERFLY VALVES

5 JIS MARINE VALVES



1 CAST IRON

TECHNICAL DATA

GLOBE VALVES F7305 - F7353 - F7307 - F7375 - F7309 - F7377

ANGLE VALVES F7306 - F7354 - F7308 - F7376 - F7310 - F7378

HOSE GLOBE VALVES F7333

HOSE ANGLE VALVES F7333A

GATE VALVES F7363 - F7364 - F7369

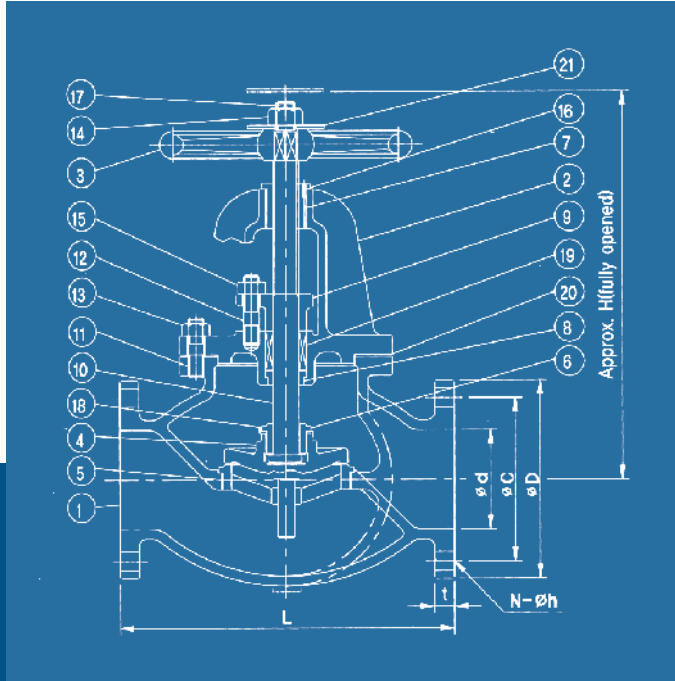
SWING CHECK VALVE F7372 - F7373

LIFT CHECK VALVES F7358

LIFT CHECK VALVES ANGLE F7359

TECHNICAL DATA

GLOBE VALVE CAST IRON - 5K



FLUID CONDITION & MAX. WORKING PRESSURE

Rating Fluid Condition	JIS 5K up to 200A		JIS 5K 250A to 400A
	Class B	Class S	Class B
Steam up to 230°C	-	0.49(5)	-
Steam up to 205°C	0.49(5)	-	-
Saturated steam			
Air and gas	0.49(5) up to 300A		
Oil and pulsation water	0.49(5)		
Non-shock water up to 120°C	0.69(7) up to 300A		0.59(6)

DIMENSIONS

Rating	size (mm)	ϕd (mm)	ϕD (mm)	ϕC (mm)	$N-\phi h$ (mm)	t (mm)	L (mm)	H (mm)	Weight (kg)
JIS 5K	50A	50	130	105	4-15	16	210	270	14.7
(JIS F7305)	65A	65	155	130	4-15	18	250	300	21.3
	80A	80	180	145	4-19	18	280	310	27.7
	100A	100	200	165	8-19	20	340	360	40.8
	125A	125	235	200	8-19	20	410	390	57.6
	150A	150	265	230	8-19	22	480	445	80.3
	200A	200	320	280	8-23	24	570	530	139
	250A	250	385	345	12-23	26	740	650	246
	300A	300	430	390	12-23	28	840	740	377
	350A	335	480	435	12-25	30	940	840	462
	400A	380	540	495	16-25	30	1050	940	647

TECHNICAL FEATURES

- | | | |
|----|-------------------|--------------|
| 1 | body | cast iron |
| 2 | bonnet | cast iron |
| 3 | handwheel | cast iron |
| 4 | disc | bronze / ss |
| 5 | valve seat | bronze / ss |
| 6 | disc nut | bronze / ss |
| 7 | screw bonnet bush | bronze / ss |
| 8 | bonnet bush | bronze / ss |
| 9 | packing gland | bronze |
| 10 | stem | brass / ss |
| 11 | stud bolt | steel |
| 12 | stud bolt | steel |
| 13 | hexagon nut | steel |
| 14 | hexagon nut | steel |
| 15 | hexagon nut | steel |
| 16 | lock pin | steel |
| 17 | split pin | brass |
| 18 | disc lock washer | brass |
| 19 | packing gasket | non asbestos |
| 20 | gasket washer | non asbestos |
| 21 | washer | steel |



Indicator

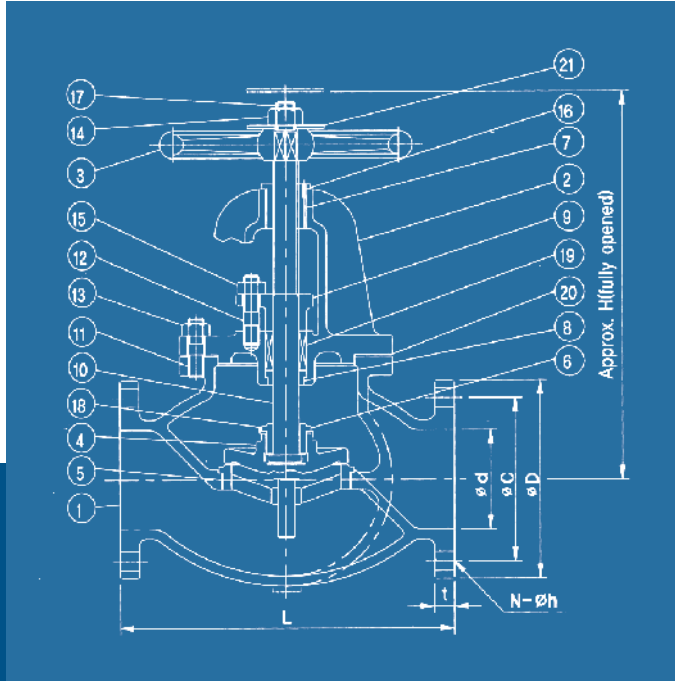


Screw Down Non Return (SDNR)



TECHNICAL DATA

GLOBE SCREW-DOWN CHECK VALVE CAST IRON - 5K



FLUID CONDITION & MAX. WORKING PRESSURE

Rating Fluid Condition	JIS 5K up to 200A		JIS 5K 250A to 400A
	Class B	Class S	Class B
Steam up to 230°C	-	0.49(5)	-
Steam up to 205°C	0.49(5)	-	-
Saturated steam			
Air and gas	0.49(5) up to 300A		
Oil and pulsation water	0.49(5)		
Non-shock water up to 120°C	0.69(7) up to 300A		0.59(6)

DIMENSIONS

Rating	size (mm)	Ød (mm)	ØD (mm)	ØC (mm)	N-Øh (mm)	t (mm)	L (mm)	H (mm)	Weight (kg)
JIS 5K	50A	50	130	105	4-15	16	210	270	14.7
(JIS F7353)	65A	65	155	130	4-15	18	250	300	21.3
	80A	80	180	145	4-19	18	280	310	27.7
	100A	100	200	165	8-19	20	340	360	40.8
	125A	125	235	200	8-19	20	410	390	57.6
	150A	150	265	230	8-19	22	480	445	80.3
	200A	200	320	280	8-23	24	570	530	139
	250A	250	385	345	12-23	26	740	650	246
	300A	300	430	390	12-23	28	840	740	377
	350A	335	480	435	12-25	30	940	840	462
	400A	380	540	495	16-25	30	1050	940	647

TECHNICAL FEATURES

1	body	cast iron
2	bonnet	cast iron
3	handwheel	cast iron
4	disc	bronze / ss
5	valve seat	bronze / ss
6	disc nut	bronze / ss
7	screw bonnet bush	bronze / ss
8	bonnet bush	bronze / ss
9	packing gland	bronze
10	stem	brass / ss
11	stud bolt	steel
12	stud bolt	steel
13	hexagon nut	steel
14	hexagon nut	steel
15	hexagon nut	steel
16	lock pin	steel
17	split pin	brass
18	disc lock washer	brass
19	packing gasket	non asbestos
20	gasket washer	non asbestos
21	washer	steel



Indicator

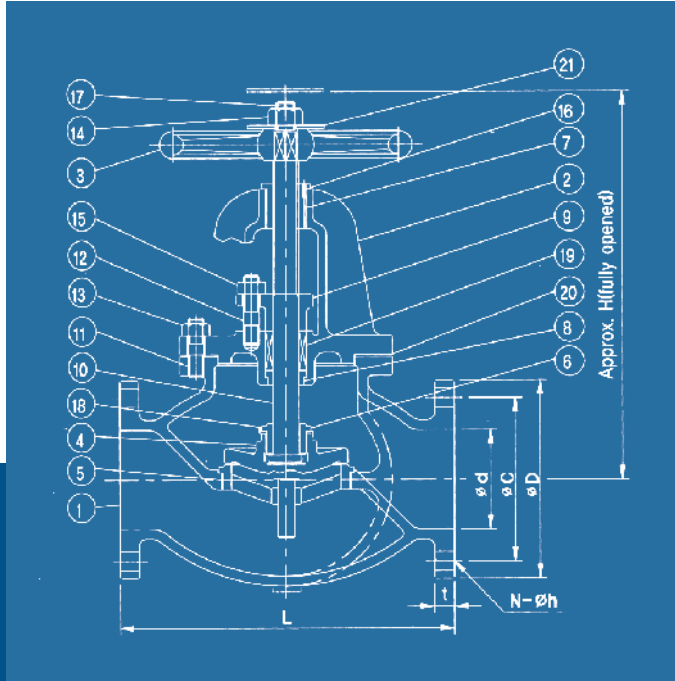


Screw Down Non Return (SDNR)



TECHNICAL DATA

GLOBE VALVE CAST IRON - 10K



FLUID CONDITION & MAX. WORKING PRESSURE

Rating Fluid Condition	JIS 10K up to 200A		JIS 10K over 250A	
	Class B	Class S	Class A	Class B
Steam up to 230°C	-	0.98(10)	-	-
Steam up to 205°C	0.98(10)	-	-	-
Saturated steam	0.98(10)	-	0.49(5)	-
Air and gas	0.98(10)	-	-	-
Oil and pulsation water	0.98(10)	-	0.98(10)	-
Non-shock water up to 120°C	1.37(14)	-	0.98(10)	-

DIMENSIONS

Rating	size (mm)	ϕd (mm)	ϕD (mm)	ϕC (mm)	N- ϕh (mm)	t (mm)	L (mm)	H (mm)	Weight (kg)
JIS 10K	50A	50	155	120	4-19	20	220	285	19.9
(JIS F7307)	65A	65	175	140	4-19	22	270	310	28.7
	80A	80	185	150	8-19	22	300	320	32.4
	100A	100	210	175	8-19	24	350	370	48.7
	125A	125	250	210	8-23	24	420	420	73.1
	150A	150	280	240	8-23	26	490	470	104
	200A	200	330	290	12-23	26	570	555	162
	250A	250	400	355	12-25	30	740	680	304
	300A	300	445	400	16-25	32	840	770	458

TECHNICAL FEATURES

- | | | |
|----|-------------------|--------------|
| 1 | body | cast iron |
| 2 | bonnet | cast iron |
| 3 | handwheel | cast iron |
| 4 | disc | bronze / ss |
| 5 | valve seat | bronze / ss |
| 6 | disc nut | bronze / ss |
| 7 | screw bonnet bush | bronze / ss |
| 8 | bonnet bush | bronze / ss |
| 9 | packing gland | bronze |
| 10 | stem | brass / ss |
| 11 | stud bolt | steel |
| 12 | stud bolt | steel |
| 13 | hexagon nut | steel |
| 14 | hexagon nut | steel |
| 15 | hexagon nut | steel |
| 16 | lock pin | steel |
| 17 | split pin | brass |
| 18 | disc lock washer | brass |
| 19 | packing | non asbestos |
| 20 | gasket | non asbestos |
| 21 | washer | steel |



Indicator



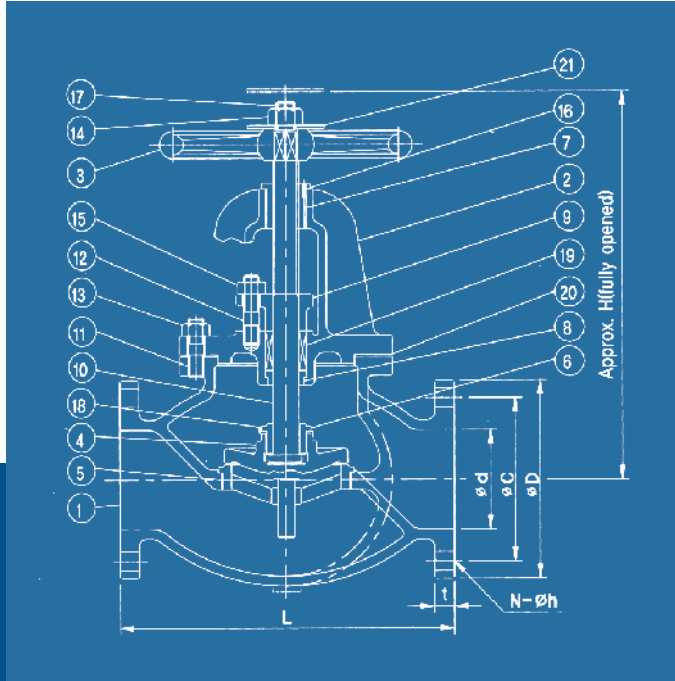
Screw Down Non Return (SDNR)



www.wosupply.com

TECHNICAL DATA

GLOBE SCREW-DOWN CHECK VALVE CAST IRON - 10K



FLUID CONDITION & MAX. WORKING PRESSURE

Rating Fluid Condition	JIS 10K up to 200A		JIS 10K over 250A	
	Class B	Class S	Class A	Class B
Steam up to 230°C	-	0.98(10)	-	-
Steam up to 205°C	0.98(10)	-	-	-
Saturated steam	0.98(10)	-	0.49(5)	-
Air and gas	0.98(10)	-	-	-
Oil and pulsation water	0.98(10)	-	0.98(10)	-
Non-shock water up to 120°C	1.37(14)	-	0.98(10)	-

DIMENSIONS

Rating	size (mm)	Ød (mm)	ØD (mm)	ØC (mm)	N-Øh (mm)	t (mm)	L (mm)	H (mm)	Weight (kg)
JIS 10K	50A	50	155	120	4-19	20	220	285	19.9
(JIS F7375)	65A	65	175	140	4-19	22	270	310	28.7
	80A	80	185	150	8-19	22	300	320	32.4
	100A	100	210	175	8-19	24	350	370	48.7
	125A	125	250	210	8-23	24	420	420	73.1
	150A	150	280	240	8-23	26	490	470	104
	200A	200	330	290	12-23	26	570	555	162
	250A	250	400	355	12-25	30	740	680	304
	300A	300	445	400	16-25	32	840	770	458

TECHNICAL FEATURES

- | | | |
|----|-------------------|--------------|
| 1 | body | cast iron |
| 2 | bonnet | cast iron |
| 3 | handwheel | cast iron |
| 4 | disc | bronze / ss |
| 5 | valve seat | bronze / ss |
| 6 | disc nut | bronze / ss |
| 7 | screw bonnet bush | bronze / ss |
| 8 | bonnet bush | bronze / ss |
| 9 | packing gland | bronze |
| 10 | stem | brass / ss |
| 11 | stud bolt | steel |
| 12 | stud bolt | steel |
| 13 | hexagon nut | steel |
| 14 | hexagon nut | steel |
| 15 | hexagon nut | steel |
| 16 | lock pin | steel |
| 17 | split pin | brass |
| 18 | disc lock washer | brass |
| 19 | packing gland | non asbestos |
| 20 | gasket washer | non asbestos |
| 21 | washer | steel |



Indicator



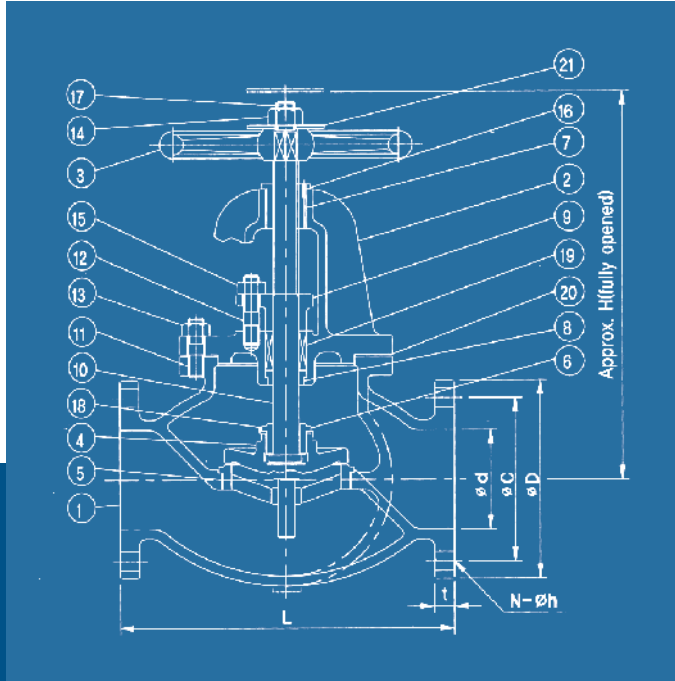
Screw Down Non Return (SDNR)



www.wosupply.com

TECHNICAL DATA

GLOBE VALVE CAST IRON - 16K



FLUID CONDITION & MAX. WORKING PRESSURE

Rating Fluid Condition	JIS 16K 50A to 200A	
	Class B	Class S
Steam up to 230°C	-	1.57(16)
Steam up to 205°C	0.98(10)	1.57(16)
Saturated steam		
Air and gas	1.57(16)	
Oil and pulsation water	1.57(16)	
Non-shock water up to 120°C	2.16(22)	

DIMENSIONS

Rating	size (mm)	Ød (mm)	ØD (mm)	ØC (mm)	N-Øh (mm)	t (mm)	L (mm)	H (mm)	Weight (kg)
JIS 16K	50A	50	155	120	8-19	20	220	285	19.9
(JIS F7309)	65A	65	175	140	8-19	22	270	310	28.3
	80A	80	200	160	8-23	24	300	340	40.4
	100A	100	225	185	8-23	26	350	385	56.9
	125A	125	270	225	8-25	26	430	455	89.5
	150A	150	305	260	12-25	28	500	510	123
	200A	200	350	305	12-25	30	570	630	188

TECHNICAL FEATURES

- | | | |
|----|-------------------|--------------|
| 1 | body | cast iron |
| 2 | bonnet | cast iron |
| 3 | handwheel | cast iron |
| 4 | disc | bronze / ss |
| 5 | valve seat | bronze / ss |
| 6 | disc nut | bronze / ss |
| 7 | screw bonnet bush | bronze / ss |
| 8 | bonnet bush | bronze / ss |
| 9 | packing gland | bronze |
| 10 | stem | brass / ss |
| 11 | stud bolt | steel |
| 12 | stud bolt | steel |
| 13 | hexagon nut | steel |
| 14 | hexagon nut | steel |
| 15 | hexagon nut | steel |
| 16 | lock pin | steel |
| 17 | split pin | brass |
| 18 | disc lock washer | brass |
| 19 | packing | non asbestos |
| 20 | gasket | non asbestos |
| 21 | washer | steel |



Indicator



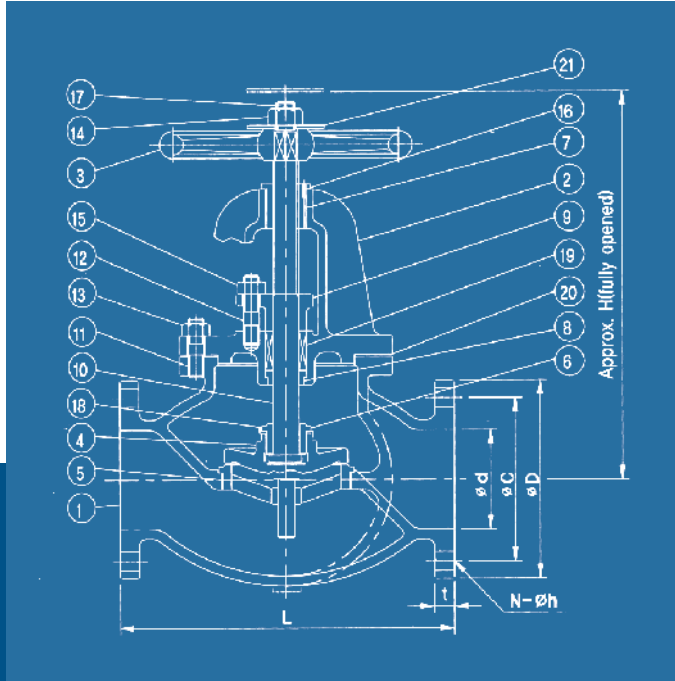
Screw Down Non Return (SDNR)



www.wosupply.com

TECHNICAL DATA

GLOBE SCREW-DOWN CHECK VALVE CAST IRON - 16K



FLUID CONDITION & MAX. WORKING PRESSURE

Rating Fluid Condition	JIS 16K 50A to 200A	
	Class B	Class S
Steam up to 230°C	-	1.57(16)
Steam up to 205°C	0.98(10)	1.57(16)
Saturated steam		
Air and gas	1.57(16)	
Oil and pulsation water	1.57(16)	
Non-shock water up to 120°C	2.16(22)	

DIMENSIONS

Rating	size (mm)	Ød (mm)	ØD (mm)	ØC (mm)	N-Øh (mm)	t (mm)	L (mm)	H (mm)	Weight (kg)
JIS 16K	50A	50	155	120	8-19	20	220	285	19.9
(JIS F7377)	65A	65	175	140	8-19	22	270	310	28.3
	80A	80	200	160	8-23	24	300	340	40.4
	100A	100	225	185	8-23	26	350	385	56.9
	125A	125	270	225	8-25	26	430	455	89.5
	150A	150	305	260	12-25	28	500	510	123
	200A	200	350	305	12-25	30	570	630	188

TECHNICAL FEATURES

- | | | |
|----|-------------------|--------------|
| 1 | body | cast iron |
| 2 | bonnet | cast iron |
| 3 | handwheel | cast iron |
| 4 | disc | bronze / ss |
| 5 | valve seat | bronze / ss |
| 6 | disc nut | bronze / ss |
| 7 | screw bonnet bush | bronze / ss |
| 8 | bonnet bush | bronze / ss |
| 9 | packing gland | bronze |
| 10 | stem | brass / ss |
| 11 | stud bolt | steel |
| 12 | stud bolt | steel |
| 13 | hexagon nut | steel |
| 14 | hexagon nut | steel |
| 15 | hexagon nut | steel |
| 16 | lock pin | steel |
| 17 | split pin | brass |
| 18 | disc lock washer | brass |
| 19 | packing gland | non asbestos |
| 20 | gasket washer | non asbestos |
| 21 | washer | steel |



Indicator



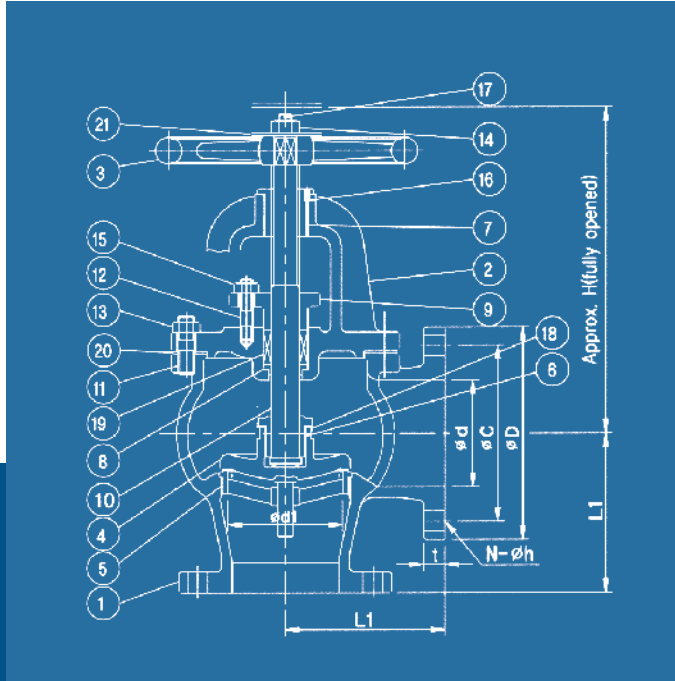
Screw Down Non Return (SDNR)



www.wosupply.com

TECHNICAL DATA

ANGLE VALVE CAST IRON - 5K



FLUID CONDITION & MAX. WORKING PRESSURE

Rating Fluid Condition	JIS 5K up to 200A		JIS 5K 250A to 400A
	Class B	Class S	Class B
Steam up to 230°C	-	0.49(5)	-
Steam up to 205°C	0.49(5)	-	-
Saturated steam			
Air and gas	0.49(5) up to 300A		
Oil and pulsation water	0.49(5)		
Non-shock water up to 120°C	0.69(7) up to 300A		0.59(6)

DIMENSIONS

Rating	size (mm)	Ød (mm)	ØD (mm)	ØC (mm)	N-Øh (mm)	t (mm)	L1 (mm)	H (mm)	Weight (kg)
JIS 5K	50A	50	130	105	4-15	16	100	240	12.9
(JIS F7306)	65A	65	155	130	4-15	18	115	255	18.2
	80A	80	180	145	4-19	18	130	265	23.4
	100A	100	200	165	8-19	20	150	310	33.7
	125A	125	235	200	8-19	20	170	330	46.2
	150A	150	265	230	8-19	22	190	380	63.4
	200A	200	320	280	8-23	24	220	450	105
	250A	250	385	345	12-23	26	275	540	166
	300A	300	430	390	12-23	28	310	610	243
	350A	335	480	435	12-25	30	360	690	327
	400A	380	540	495	16-25	30	395	770	459

TECHNICAL FEATURES

- | | | |
|----|-------------------|--------------|
| 1 | body | cast iron |
| 2 | bonnet | cast iron |
| 3 | handwheel | cast iron |
| 4 | disc | bronze / ss |
| 5 | valve seat | bronze / ss |
| 6 | disc nut | bronze / ss |
| 7 | screw bonnet bush | bronze / ss |
| 8 | bonnet bush | bronze / ss |
| 9 | packing gland | bronze |
| 10 | stem | brass / ss |
| 11 | stud bolt | steel |
| 12 | stud bolt | steel |
| 13 | hexagon nut | steel |
| 14 | hexagon nut | steel |
| 15 | hexagon nut | steel |
| 16 | lock pin | steel |
| 17 | split pin | brass |
| 18 | disc lock washer | brass |
| 19 | packing gasket | non asbestos |
| 20 | gasket | non asbestos |
| 21 | washer | steel |



Indicator

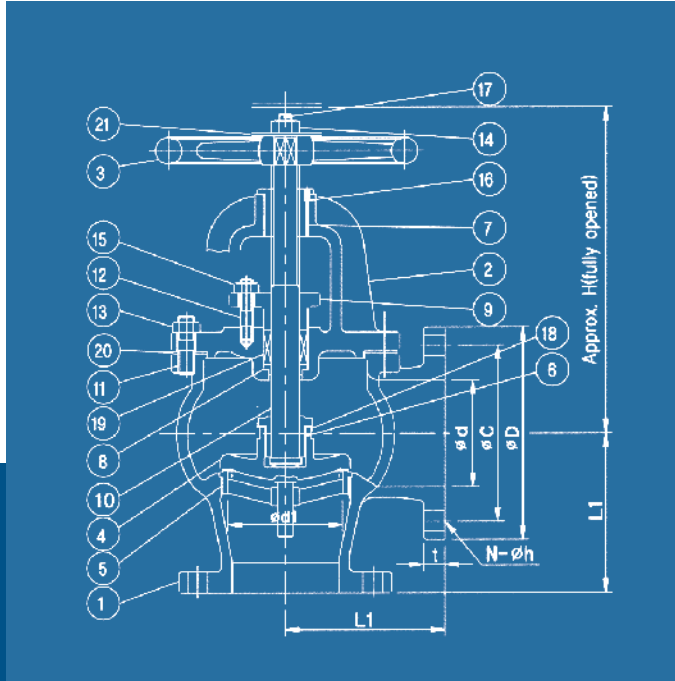


Screw Down Non Return (SDNR)



TECHNICAL DATA

ANGLE SCREW-DOWN CHECK VALVE CAST IRON - 5K



FLUID CONDITION & MAX. WORKING PRESSURE

Rating Fluid Condition	JIS 5K up to 200A		JIS 5K 250A to 400A
	Class B	Class S	Class B
Steam up to 230°C	-	0.49(5)	-
Steam up to 205°C	0.49(5)	-	-
Saturated steam			
Air and gas	0.49(5) up to 300A		
Oil and pulsation water	0.49(5)		
Non-shock water up to 120°C	0.69(7) up to 300A		0.59(6)

DIMENSIONS

Rating	size (mm)	Ød (mm)	ØD (mm)	ØC (mm)	N-Øh (mm)	t (mm)	L1 (mm)	H (mm)	Weight (kg)
JIS 5K	50A	50	130	105	4-15	16	100	240	12.9
(JIS F7354)	65A	65	155	130	4-15	18	115	255	18.2
	80A	80	180	145	4-19	18	130	265	23.4
	100A	100	200	165	8-19	20	150	310	33.7
	125A	125	235	200	8-19	20	170	330	46.2
	150A	150	265	230	8-19	22	190	380	63.4
	200A	200	320	280	8-23	24	220	450	105
	250A	250	385	345	12-23	26	275	540	166
	300A	300	430	390	12-23	28	310	610	243
	350A	335	480	435	12-25	30	360	690	327
	400A	380	540	495	16-25	30	395	770	459

TECHNICAL FEATURES

- | | | |
|----|-------------------|--------------|
| 1 | body | cast iron |
| 2 | bonnet | cast iron |
| 3 | handwheel | cast iron |
| 4 | disc | bronze / ss |
| 5 | valve seat | bronze / ss |
| 6 | disc nut | bronze / ss |
| 7 | screw bonnet bush | bronze / ss |
| 8 | bonnet bush | bronze / ss |
| 9 | packing gland | bronze |
| 10 | stem | brass / ss |
| 11 | stud bolt | steel |
| 12 | stud bolt | steel |
| 13 | hexagon nut | steel |
| 14 | hexagon nut | steel |
| 15 | hexagon nut | steel |
| 16 | lock pin | steel |
| 17 | split pin | brass |
| 18 | disc lock washer | brass |
| 19 | packing gasket | non asbestos |
| 20 | gasket | non asbestos |
| 21 | washer | steel |



Indicator

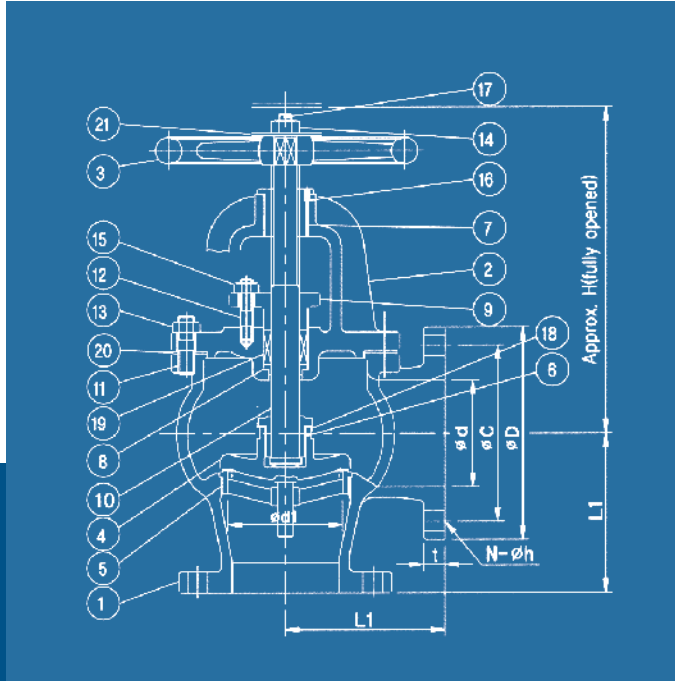


Screw Down Non Return (SDNR)



TECHNICAL DATA

ANGLE VALVE CAST IRON - 10K



FLUID CONDITION & MAX. WORKING PRESSURE

Rating Fluid Condition	JIS 10K up to 200A		JIS 10K over 250A	
	Class B	Class S	Class A	Class B
Steam up to 230°C	-	0.98(10)	-	-
Steam up to 205°C	0.98(10)	-	-	-
Saturated steam	0.98(10)	-	0.49(5)	-
Air and gas	0.98(10)	-	-	-
Oil and pulsation water	0.98(10)	-	0.98(10)	-
Non-shock water up to 120°C	1.37(14)	-	0.98(10)	-

DIMENSIONS

Rating	size (mm)	Ød (mm)	ØD (mm)	ØC (mm)	N-Øh (mm)	t (mm)	L (mm)	H (mm)	Weight (kg)
JIS 10K	50A	50	155	120	4-19	20	120	255	18.2
(JIS F7308)	65A	65	175	140	4-19	22	130	270	25.4
	80A	80	185	150	8-19	22	140	275	27.4
	100A	100	210	175	8-19	24	160	315	40.6
	125A	125	250	210	8-23	24	180	360	69.9
	150A	150	280	240	8-23	26	205	405	81
	200A	200	330	290	12-23	26	230	475	125
	250A	250	400	355	12-25	30	290	570	211
	300A	300	445	400	16-25	32	320	645	293
	350A	335	490	445	16-25	34	360	710	386
	400A	380	560	510	16-27	36	420	790	544

TECHNICAL FEATURES

- | | | |
|----|-------------------|--------------|
| 1 | body | cast iron |
| 2 | bonnet | cast iron |
| 3 | handwheel | cast iron |
| 4 | disc | bronze / ss |
| 5 | valve seat | bronze / ss |
| 6 | disc nut | bronze / ss |
| 7 | screw bonnet bush | bronze / ss |
| 8 | bonnet bush | bronze / ss |
| 9 | packing gland | bronze |
| 10 | stem | brass / ss |
| 11 | stud bolt | steel |
| 12 | stud bolt | steel |
| 13 | hexagon nut | steel |
| 14 | hexagon nut | steel |
| 15 | hexagon nut | steel |
| 16 | lock pin | steel |
| 17 | split pin | brass |
| 18 | disc lock washer | brass |
| 19 | packing | non asbestos |
| 20 | gasket | non asbestos |
| 21 | washer | steel |



Indicator

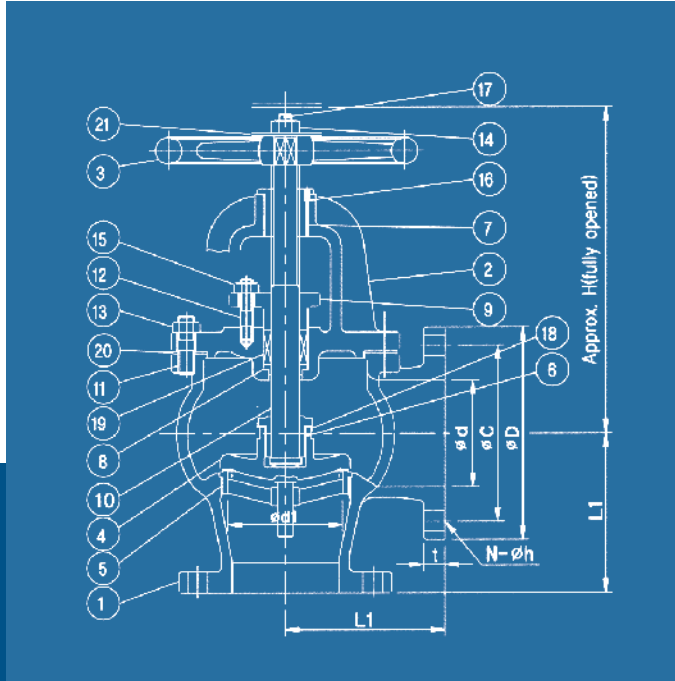


Screw Down Non Return (SDNR)



TECHNICAL DATA

ANGLE SCREW-DOWN CHECK VALVE CAST IRON - 10K



FLUID CONDITION & MAX. WORKING PRESSURE

Rating Fluid Condition	JIS 10K up to 200A		JIS 10K over 250A	
	Class B	Class S	Class A	Class B
Steam up to 230°C	-	0.98(10)	-	-
Steam up to 205°C	0.98(10)	-	-	-
Saturated steam	0.98(10)	-	0.49(5)	-
Air and gas	0.98(10)	-	-	-
Oil and pulsation water	0.98(10)	-	0.98(10)	-
Non-shock water up to 120°C	1.37(14)	-	0.98(10)	-

DIMENSIONS

Rating	size (mm)	Ød (mm)	ØD (mm)	ØC (mm)	N-Øh (mm)	t (mm)	L (mm)	H (mm)	Weight (kg)
JIS 10K	50A	50	155	120	4-19	20	120	255	18.2
(JIS F7376)	65A	65	175	140	4-19	22	130	270	25.4
	80A	80	185	150	8-19	22	140	275	27.4
	100A	100	210	175	8-19	24	160	315	40.6
	125A	125	250	210	8-23	24	180	360	69.9
	150A	150	280	240	8-23	26	205	405	81
	200A	200	330	290	12-23	26	230	475	125
	250A	250	400	355	12-25	30	290	570	211
	300A	300	445	400	16-25	32	320	645	293
	350A	335	490	445	16-25	34	360	710	386
	400A	380	560	510	16-27	36	420	790	544

TECHNICAL FEATURES

- | | | |
|----|-------------------|--------------|
| 1 | body | cast iron |
| 2 | bonnet | cast iron |
| 3 | handwheel | cast iron |
| 4 | disc | bronze / ss |
| 5 | valve seat | bronze / ss |
| 6 | disc nut | bronze / ss |
| 7 | screw bonnet bush | bronze / ss |
| 8 | bonnet bush | bronze / ss |
| 9 | packing gland | bronze |
| 10 | stem | brass / ss |
| 11 | stud bolt | steel |
| 12 | stud bolt | steel |
| 13 | hexagon nut | steel |
| 14 | hexagon nut | steel |
| 15 | hexagon nut | steel |
| 16 | lock pin | steel |
| 17 | split pin | brass |
| 18 | disc lock washer | brass |
| 19 | packing gland | non asbestos |
| 20 | gasket washer | non asbestos |
| 21 | washer | steel |



Indicator

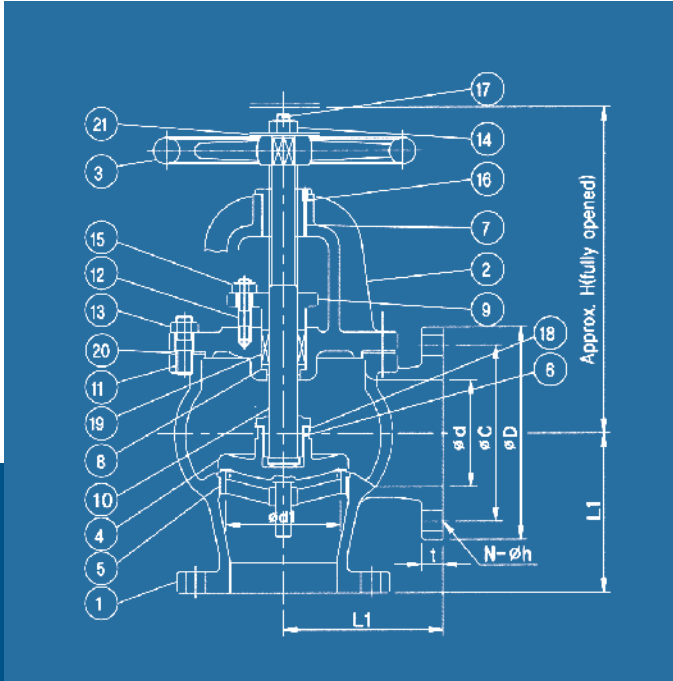


Screw Down Non Return (SDNR)



TECHNICAL DATA

ANGLE VALVE CAST IRON - 16K



FLUID CONDITION & MAX. WORKING PRESSURE

Rating Fluid Condition	JIS 16K	
	50A to 200A Class B	Class S
Steam up to 230°C	-	1.57(16)
Steam up to 205°C	1.57(16)	1.57(16)
Saturated steam		
Air and gas	1.57(16)	
Oil and pulsation water	1.57(16)	
Non-shock water up to 120°C	2.16(22)	

DIMENSIONS

Rating	size (mm)	Ød (mm)	ØD (mm)	ØC (mm)	N-Øh (mm)	t (mm)	L1 (mm)	H (mm)	Weight (kg)
JIS 16K	50A	50	155	120	8-19	20	120	255	18.0
(JIS F7310)	65A	65	175	140	8-19	22	130	270	25.0
	80A	80	200	160	8-23	24	150	295	35.7
	100A	100	225	185	8-23	26	170	330	49.2
	125A	125	270	225	8-25	26	200	390	76.1
	150A	150	305	260	12-25	28	225	435	103
	200A	200	350	305	12-25	30	250	540	155

TECHNICAL FEATURES

1	body	cast iron
2	bonnet	cast iron
3	handwheel	cast iron
4	disc	bronze / ss
5	valve seat	bronze / ss
6	disc nut	bronze / ss
7	screw bonnet bush	bronze / ss
8	bonnet bush	bronze / ss
9	packing gland	bronze
10	stem	brass / ss
11	stud bolt	steel
12	stud bolt	steel
13	hexagon nut	steel
14	hexagon nut	steel
15	hexagon nut	steel
16	lock pin	steel
17	split pin	brass
18	disc lock washer	brass
19	packing	non asbestos
20	gasket	non asbestos
21	washer	steel



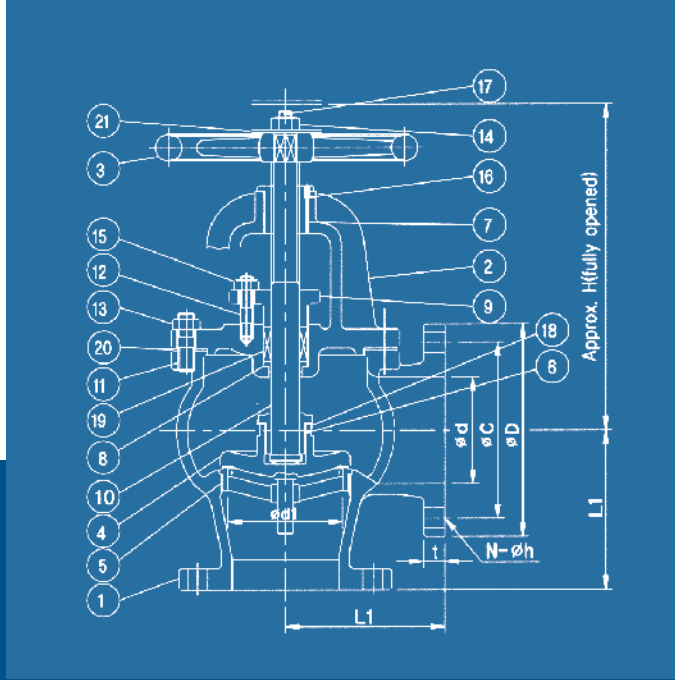
Indicator

Screw Down Non Return
(SDNR)

www.wosupply.com

TECHNICAL DATA

ANGLE SCREW-DOWN CHECK VALVE CAST IRON - 16K



FLUID CONDITION & MAX. WORKING PRESSURE

Rating Fluid Condition	JIS 16K	
	50A to 200A Class B	Class S
Steam up to 230°C	-	1.57(16)
Steam up to 205°C	1.57(16)	1.57(16)
Saturated steam		
Air and gas	1.57(16)	
Oil and pulsation water	1.57(16)	
Non-shock water up to 120°C	2.16(22)	

DIMENSIONS

Rating	size (mm)	Ød (mm)	ØD (mm)	ØC (mm)	N-Øh (mm)	t (mm)	L1 (mm)	H (mm)	Weight (kg)
JIS 16K	50A	50	155	120	8-19	20	120	255	18.0
(JIS F7378)	65A	65	175	140	8-19	22	130	270	25.0
	80A	80	200	160	8-23	24	150	295	35.7
	100A	100	225	185	8-23	26	170	330	49.2
	125A	125	270	225	8-25	26	200	390	76.1
	150A	150	305	260	12-25	28	225	435	103
	200A	200	350	305	12-25	30	250	540	155

TECHNICAL FEATURES

- | | | |
|----|-------------------|--------------|
| 1 | body | cast iron |
| 2 | bonnet | cast iron |
| 3 | handwheel | cast iron |
| 4 | disc | bronze / ss |
| 5 | valve seat | bronze / ss |
| 6 | disc nut | bronze / ss |
| 7 | screw bonnet bush | bronze / ss |
| 8 | bonnet bush | bronze / ss |
| 9 | packing gland | bronze |
| 10 | stem | brass / ss |
| 11 | stud bolt | steel |
| 12 | stud bolt | steel |
| 13 | hexagon nut | steel |
| 14 | hexagon nut | steel |
| 15 | hexagon nut | steel |
| 16 | lock pin | steel |
| 17 | split pin | brass |
| 18 | disc lock washer | brass |
| 19 | packing | non asbestos |
| 20 | gasket | non asbestos |
| 21 | washer | steel |



Indicator



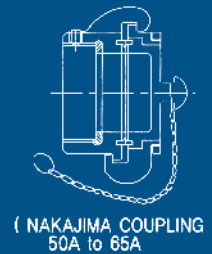
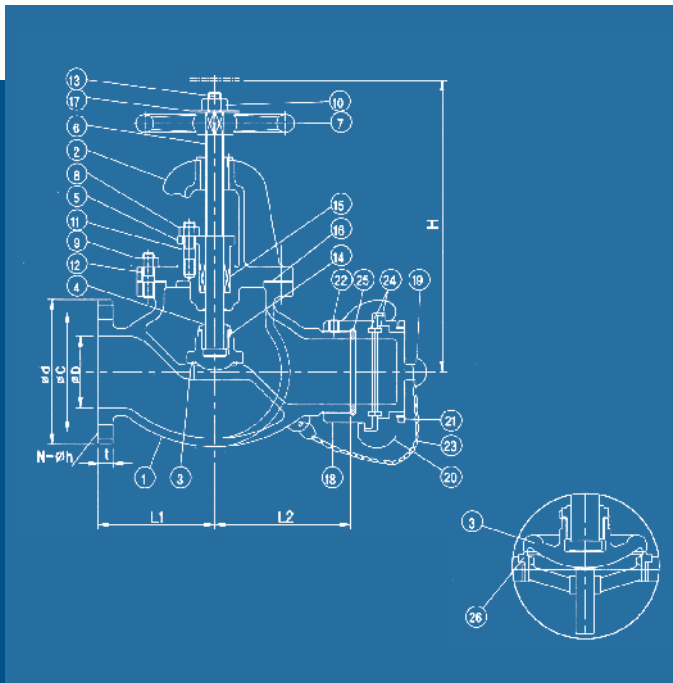
Screw Down Non Return (SDNR)



www.wosupply.com

TECHNICAL DATA

HOSE GLOBE VALVE CAST IRON 5K/10K



TECHNICAL FEATURES

1	body	cast iron
2	bonnet	cast iron
3	disc	bronze
4	disc nut	bronze / brass
5	packing gland	bronze / brass
6	stem	brass
7	handwheel	cast iron
8	hexagon nut	steel
9	hexagon nut	steel
10	hexagon nut	steel
11	stud bolt	steel
12	stud bolt	steel
13	split pin	brass
14	disc lock washer	brass
15	packing	non asbestos
16	gasket	non asbestos
17	washer	steel
18	base connection	bronze
19	cap	bronze
20	coupling ring	bronze
21	set ring	bronze
22	set screw	brass
23	chain	stainless wire
24	gasket	rubber
25	gasket	non asbestos
26	valve seat	bronze

FLUID CONDITION & MAX. WORKING PRESSURE

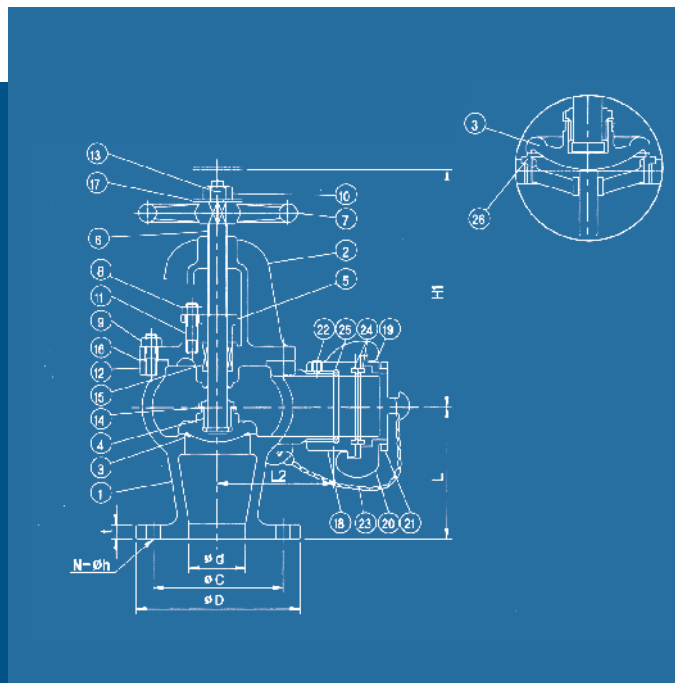
Rating Fluid Condition	JIS 5K	JIS 10K
pulsation water	0.49(5)	0.98(10)
non-shock water up to 120 °C	0.69(7)	1.37(14)

DIMENSIONS

Rating	size (mm)	Ød (mm)	ØD (mm)	ØC (mm)	N-Øh (mm)	t (mm)	L1 (mm)	L (mm)	L (mm)	H (mm)	Weight (kg)	Weight (kg)
JIS 5K	50A	50	130	105	4-15	16	105	100	270	240	14.7	12.8
(JIS F7333)	65A	65	155	130	4-15	22	135	130	310	270	28.2	24.3
JIS 10K	50A	50	155	120	4-19	20	110	120	285	255	18.9	17.0
(JIS F7333)	65A	65	175	140	4-19	22	135	130	310	270	28.2	24.3

TECHNICAL DATA

HOSE ANGLE VALVE CAST IRON - 5K/10K



FLUID CONDITION & MAX. WORKING PRESSURE

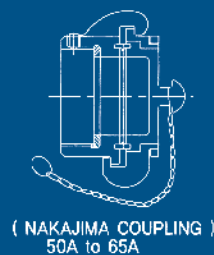
Rating Fluid Condition	JIS 5K	JIS 10K
pulsation water	0.49(5)	0.98(10)
non-shock water up to 120 °C	0.69(7)	1.37(14)

DIMENSIONS

Rating	size (mm)	Ød (mm)	ØD (mm)	ØC (mm)	N-Øh (mm)	t (mm)	L1 (mm)	L (mm)	L (mm)	H (mm)	Weight (kg)	Weight (kg)
JIS 5K	50A	50	130	105	4-15	16	105	100	270	240	14.7	12.8
(JIS F7333)	65A	65	155	130	4-15	22	135	130	310	270	28.2	24.3
JIS 10K	50A	50	155	120	4-19	20	110	120	285	255	18.9	17.0
(JIS F7333)	65A	65	175	140	4-19	22	135	130	310	270	28.2	24.3

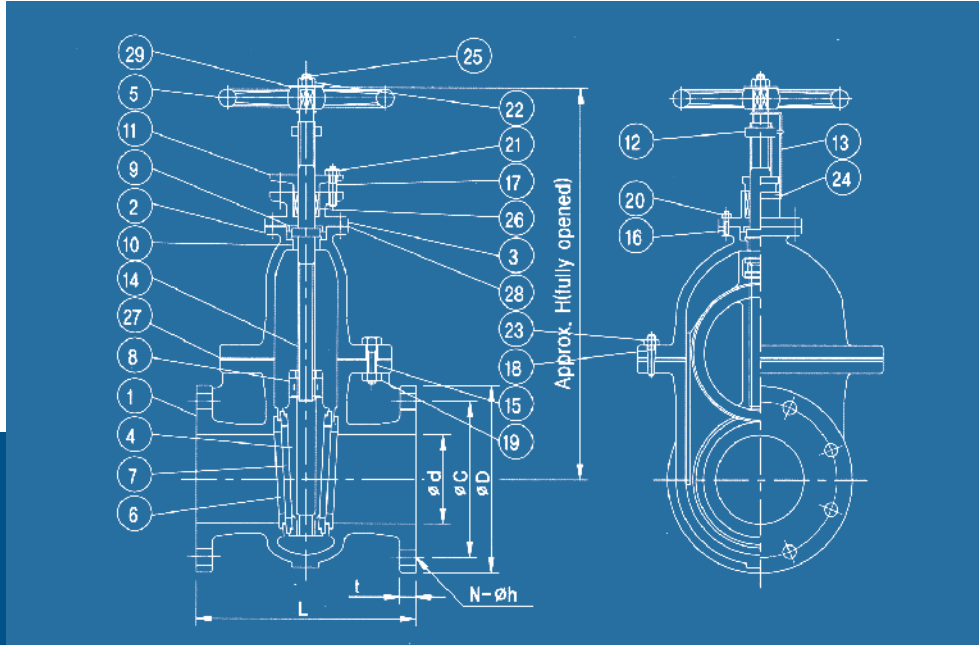
TECHNICAL FEATURES

1	body	cast iron
2	bonnet	cast iron
3	disc	bronze
4	disc nut	bronze / brass
5	packing gland	bronze / brass
6	stem	brass
7	handwheel	cast iron
8	hexagon nut	steel
9	hexagon nut	steel
10	hexagon nut	steel
11	stud bolt	steel
12	stud bolt	steel
13	split pin	brass
14	disc lock washer	brass
15	packing	non asbestos
16	gasket	non asbestos
17	washer	steel
18	base connection	bronze
19	cap	bronze
20	coupling ring	bronze
21	set ring	bronze
22	set screw	brass
23	chain	stainless wire
24	gasket	rubber
25	gasket	non asbestos
26	valve seat	bronze



TECHNICAL DATA

GATE VALVE CAST IRON - 5K



FLUID CONDITION & MAX. WORKING PRESSURE

Fluid Condition	Max. working pressure JIS 5K		
	Up to 200A	250 to 400A	450 to 600A
Saturated steam	0.29(3)	0.20(2)	
Oil and pulsation water	0.49(5)		
Non-Shock Water up to 120°C	0.69(7)	0.49(5)	
Fluid condition	JIS 16K		
	300A to 400A		
Oil and pulsation water	1.57(16)		

DIMENSIONS

Rating	Size	Ød (mm)	ØD (mm)	ØC (mm)	n-Øh (mm)	t (mm)	L (mm)	H (mm)	Weight (kg)
JIS 5K	50A	50	130	105	4-15	16	180	285	13.5
	65A	65	155	130	4-15	18	190	330	19.6
	80A	80	180	145	4-19	18	200	380	24.2
	100A	100	200	165	8-19	20	230	430	35.3
	125A	125	235	200	8-19	20	250	495	48.1
	150A	150	265	230	8-19	22	270	560	65.3
	200A	200	320	280	8-23	24	290	680	103
	250A	250	385	345	12-23	26	330	800	164
	300A	300	430	390	12-23	28	370	920	236
	350A	335	480	435	12-25	30	410	1000	307
	400A	380	540	495	16-25	30	470	1100	405

TECHNICAL FEATURES

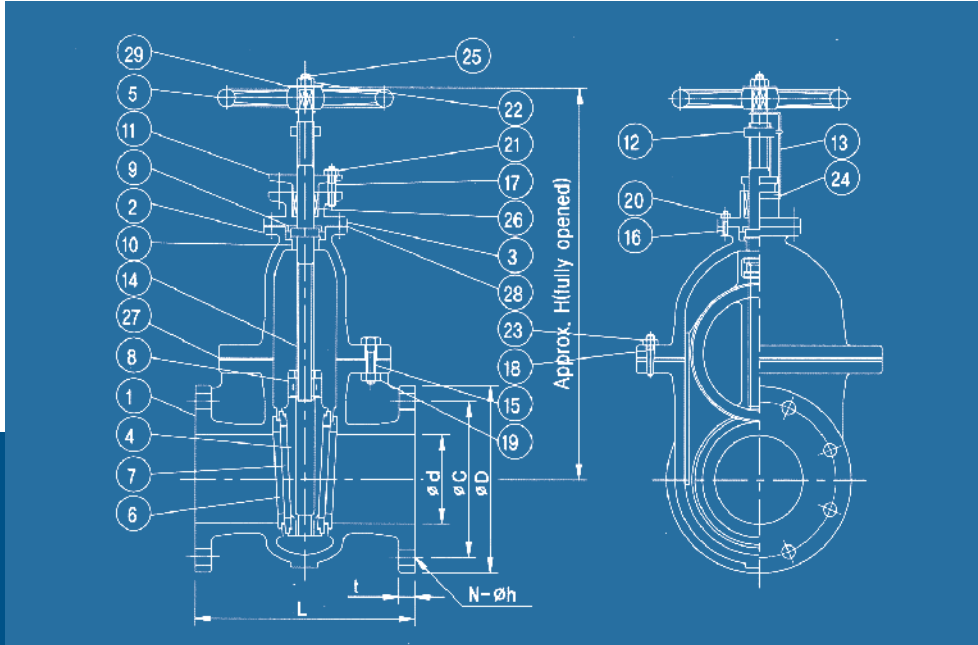
1	body	cast iron
2	bonnet	cast iron
3	stuffing box	cast iron
4	disc	cast iron
5	handwheel	cast iron
6	valve seat of body	bronze / ss
7	valve seat of disc	bronze / ss
8	screwed piece	bronze / ss
9	guide bush	bronze / ss
10	guide bush	bronze / ss
11	packing gland	bronze
12	indicator	brass
13	indicator plate	brass
14	stem	brass / ss
15	stud bolt	steel
16	stud bolt	steel
17	stud bolt	steel
18	taper pin with thread	stainless steel
19	hexagon nut	steel
20	hexagon nut	steel
21	hexagon nut	steel
22	hexagon nut	steel
23	hexagon nut	steel
24	machine screw	steel
25	split pin	brass
26	packing gasket	non asbestos
27	gasket	non asbestos
28	gasket	non asbestos
29	washer	steel



www.wosupply.com

TECHNICAL DATA

GATE VALVE CAST IRON - 10K



FLUID CONDITION & MAX. WORKING PRESSURE

Fluid Condition	Max. working pressure JIS 10K		
	Up to 200A	250 to 400A	450 to 600A
Saturated steam	0.49(5)	0.29(3)	
Oil and pulsation water	0.98(10)		
Non-Shock Water up to 120°C	1.37(14)	1.18(12)	

DIMENSIONS

Size	Rating	Ød (mm)	ØD (mm)	ØC (mm)	n-Øh (mm)	t (mm)	L (mm)	H (mm)	Weight (kg)
JIS 10K	50A	50	155	120	4-19	20	200	300	19.4
	65A	65	175	140	4-19	22	220	350	27.6
	80A	80	185	150	8-19	22	230	400	33.0
	100A	100	210	175	8-19	24	250	450	45.8
	125A	125	250	210	8-23	24	270	520	65.9
	150A	150	280	240	8-23	26	290	580	86.0
	200A	200	330	290	12-23	26	320	700	136.0
	250A	250	400	355	12-25	30	380	840	230.0
	300A	300	445	400	16-25	32	440	960	331.0
	350A	335	490	445	16-25	34	500	1050	433.0
	400A	380	560	510	16-27	36	590	1150	597.0

TECHNICAL FEATURES

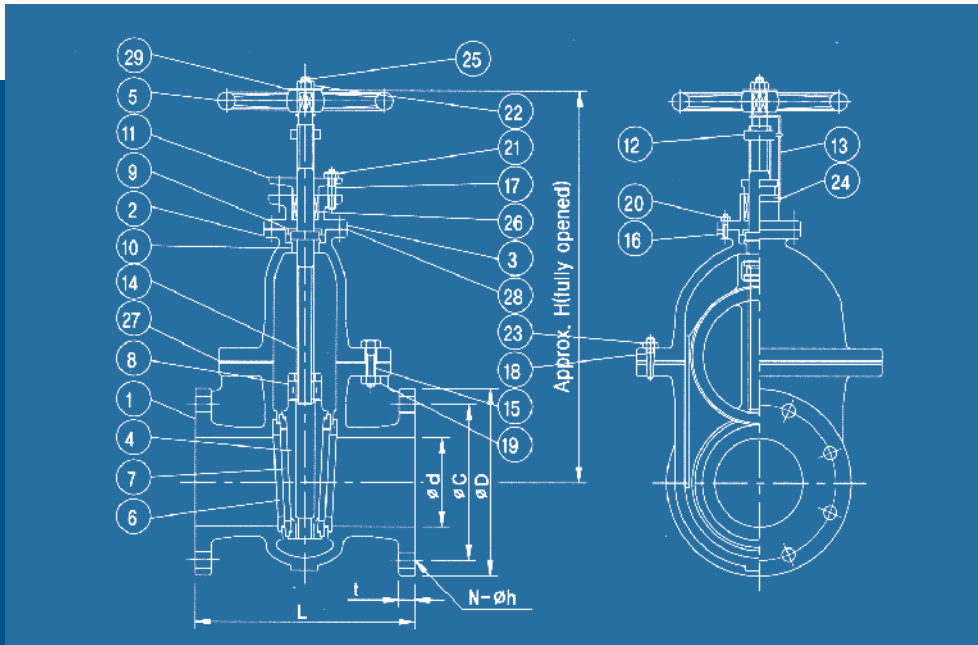
1	body	cast iron
2	bonnet	cast iron
3	stuffing box	cast iron
4	disc	cast iron
5	handwheel	cast iron
6	valve seat of body	bronze / ss
7	valve seat of disc	bronze / ss
8	screwed piece	bronze / ss
9	guide bush	bronze / ss
10	guide bush	bronze / ss
11	packing gland	bronze
12	indicator	brass
13	indicator plate	brass
14	stem	brass / ss
15	stud bolt	steel
16	stud bolt	steel
17	stud bolt	steel
18	taper pin with thread	stainless steel
19	hexagon nut	steel
20	hexagon nut	steel
21	hexagon nut	steel
22	hexagon nut	steel
23	hexagon nut	steel
24	machine screw	steel
25	split pin	brass
26	packing	non asbestos
27	gasket	non asbestos
28	gasket	non asbestos
29	washer	steel



www.wosupply.com

TECHNICAL DATA

GATE VALVE CAST IRON - 16K



TECHNICAL FEATURES

1	body	cast iron
2	bonnet	cast iron
3	stuffing box	cast iron
4	disc	cast iron
5	handwheel	cast iron
6	valve seat of body	bronze / ss
7	valve seat of disc	bronze / ss
8	screwed piece	bronze / ss
9	guide bush	bronze / ss
10	guide bush	bronze / ss
11	packing gland	bronze
12	indicator	brass
13	indicator plate	brass
14	stem	brass / ss
15	stud bolt	steel
16	stud bolt	steel
17	stud bolt	steel
18	taper pin with thread	stainless steel
19	hexagon nut	steel
20	hexagon nut	steel
21	hexagon nut	steel
22	hexagon nut	steel
23	hexagon nut	steel
24	machine screw	steel
25	split pin	brass
26	packing gasket	non asbestos
27	gasket	non asbestos
28	gasket	non asbestos
29	washer	steel

FLUID CONDITION & MAX. WORKING PRESSURE

Fluid Condition	Max. working pressure
	JIS 16K
	300 to 400A
Oil and pulsation water	1.57(16)

DIMENSIONS

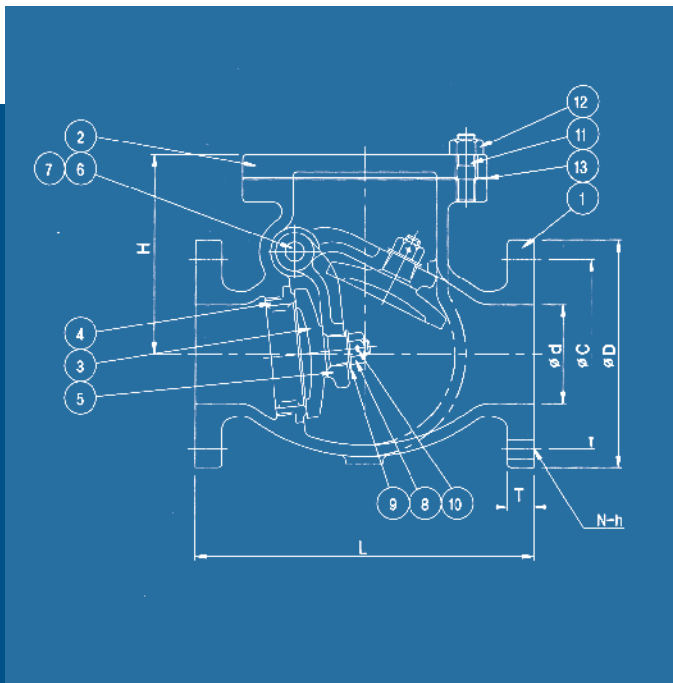
Rating	Ød (mm)	ØD (mm)	ØC (mm)	n-Øh (mm)	t (mm)	L (mm)	H (mm)	Weight (kg)
300A	300	480	430	16-27	36	490	1010	430
350A	335	540	480	16-33	38	540	1070	580
400A	380	605	540	16-33	42	610	1185	780



www.wosupply.com

TECHNICAL DATA

SWING CHECK VALVE CAST IRON - 5K



TECHNICAL FEATURES

1	body	cast iron
2	bonnet	cast iron
3	disc	bronze / stainless steel
4	body seat ring	bronze / stainless steel
5	arm	bronze
6	hinge pin	bronze
7	plug	bronze
8	disc nut	bronze
9	washer	brass
10	split pin	brass
11	bonnet bolt	steel
12	bonnet nut	steel
13	gasket	non asbestos

FLUID CONDITION & MAX. WORKING PRESSURE

Rating Fluid Condition	JIS 5K
Oil and Pulsation water	0.49(5)
Non-shock water up to 120 °C	0.69(7)

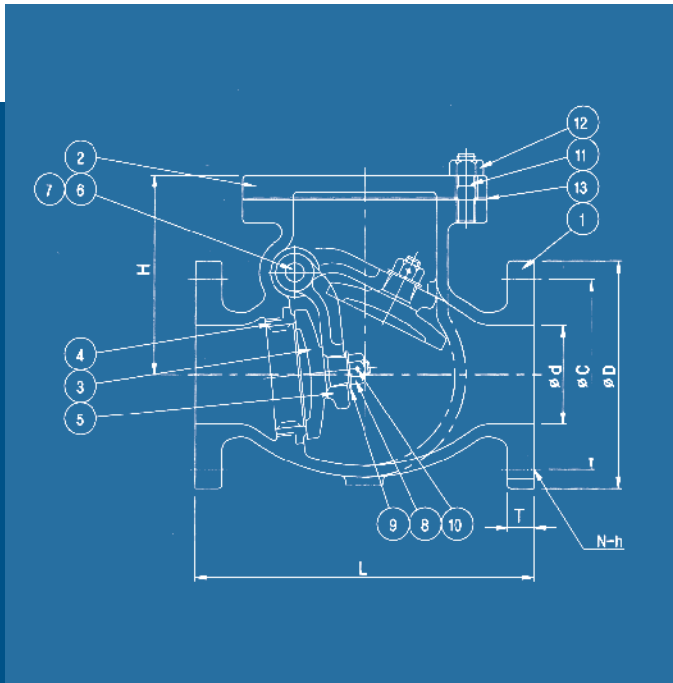
DIMENSIONS

Rating	size (mm)	Ød (mm)	ØD (mm)	ØC (mm)	N-Øh (mm)	t (mm)	L (mm)	H (mm)	Weight (kg)
JIS 5K	50A	50	130	105	4-15	16	190	97	9.06
(JIS F7372)	65A	65	155	130	4-15	18	220	119	13.9
	80A	80	180	145	4-19	18	250	129	19.1
	100A	100	200	165	8-19	20	280	146	27.1
	125A	125	235	200	8-19	20	330	171	39.0
	150A	150	265	230	8-19	22	380	198	53.7
	200A	200	320	280	8-23	24	460	235	94.4
	250A	250	385	345	12-23	26	550	290	150.0



TECHNICAL DATA

SWING CHECK VALVE CAST IRON - 10K



TECHNICAL FEATURES

1	body	cast iron
2	bonnet	cast iron
3	disc	bronze / stainless steel
4	body seat ring	bronze / stainless steel
5	arm	bronze
6	hinge pin	bronze
7	plug	bronze
8	disc nut	bronze
9	washer	brass
10	split pin	brass
11	bonnet bolt	steel
12	bonnet nut	steel
13	gasket	non asbestos

FLUID CONDITION & MAX. WORKING PRESSURE

Rating Fluid Condition	JIS 10K
Oil and Pulsation water	0.98(10)
Non-shock water up to 120 °C	1.37(14)

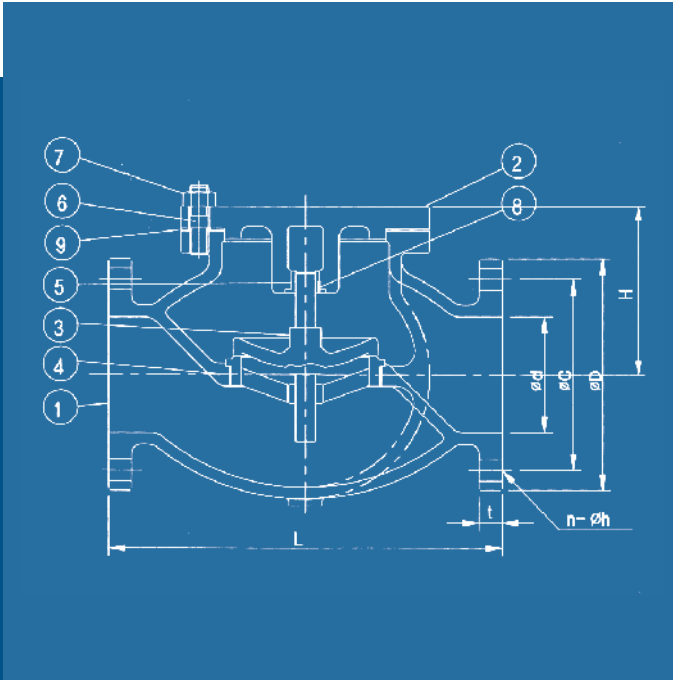
DIMENSIONS

Rating	size (mm)	Ød (mm)	ØD (mm)	ØC (mm)	N-Øh (mm)	t (mm)	L (mm)	H (mm)	Weight (kg)
JIS 10K	50A	50	155	120	4-19	20	190	109	13.6
(JIS F7372)	65A	65	175	140	4-19	22	220	126	19.6
	80A	80	185	150	8-19	22	250	136	22.6
	100A	100	210	175	8-19	24	280	153	30.9
	125A	125	250	210	8-23	24	330	180	49.2
	150A	150	280	240	8-23	26	380	205	64.9
	200A	200	330	290	12-23	26	460	249	103.0



TECHNICAL DATA

LIFT CHECK GLOBE VALVE CAST IRON - 5K/10K



TECHNICAL FEATURES

1	body	cast iron
2	bonnet	cast iron
3	disc	bronze / stainless steel
4	valve seat	bronze / stainless steel
5	bush	bronze / stainless steel
6	stud bolt	steel
7	hexagon nut	steel
8	set screw	steel
9	gasket	non asbestos

FLUID CONDITION & MAX. WORKING PRESSURE

Rating Fluid Condition	JIS 5K/10K
Oil and Pulsation water	0.49(5)
Non-shock water up to 120 °C	0.69(7)

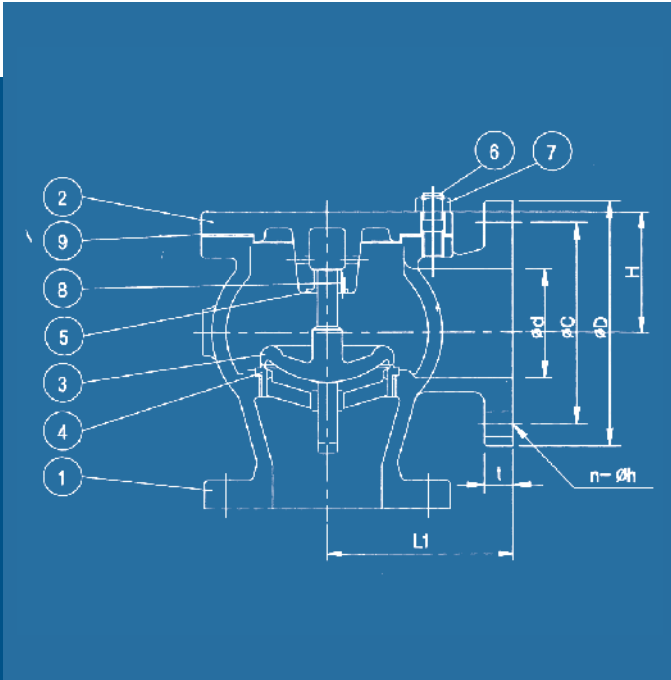
DIMENSIONS

Rating	size (mm)	Ød (mm)	ØD (mm)	ØC (mm)	N-Øh (mm)	t (mm)	L (mm)	H (mm)	Weight (kg)
JIS 5K/10K	50A	50	120	105	4-15	16	210	107	11.3
(JIS F7358)	65A	65	155	130	4-15	18	250	124	16.8
	80A	80	180	145	4-19	18	280	129	23.2
	100A	100	200	165	8-19	20	340	146	32.5
	125A	125	235	200	8-19	20	410	166	48.1
	150A	150	265	230	8-19	22	480	188	67.9



TECHNICAL DATA

LIFT CHECK ANGLE VALVE CAST IRON - 5K



TECHNICAL FEATURES

1	body	cast iron
2	bonnet	cast iron
3	disc	bronze / stainless steel
4	valve seat	bronze / stainless steel
5	bush	bronze / stainless steel
6	stud bolt	steel
7	hexagon nut	steel
8	set screw	steel
9	gasket	non asbestos

FLUID CONDITION & MAX. WORKING PRESSURE

Rating Fluid Condition	JIS 5K
Oil and Pulsation water	0.49(5)
Non-shock water up to 120 °C	0.69(7)

DIMENSIONS

Rating	size (mm)	Ød (mm)	ØD (mm)	ØC (mm)	N-Øh (mm)	t (mm)	L (mm)	H (mm)	Weight (kg)
JIS 5K	50A	50	120	105	4-15	16	100	77	9.5
(JIS F7359)	65A	65	155	130	4-15	18	115	81	13.5
	80A	80	180	145	4-19	18	130	84	18.9
	100A	100	200	165	8-19	20	150	96	25.6
	125A	125	235	200	8-19	20	170	108	36.7
	150A	150	265	230	8-19	22	190	125	50.9
	200A	200	320	280	8-23	24	220	157	95.0





2 CAST STEEL

TECHNICAL DATA

GLOBE VALVES

F7311 - F7319 - F7471 - F7313 - F7473 - F7315 - F7315S

F7317 - F7317S

ANGLE VALVES

F7312 - F7320 - F7472 - F7314 - F7474 - F7316 - F7316S

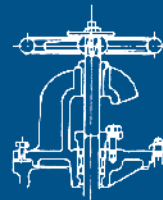
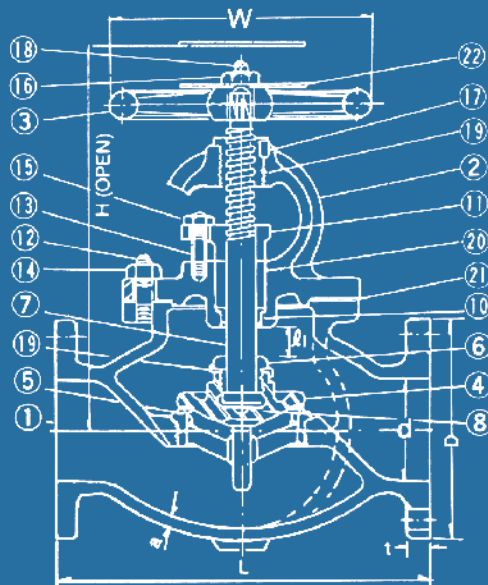
F7318 - F7318S - F7350

GATE VALVES

F7366 - F7360

TECHNICAL DATA

GLOBE VALVE CAST STEEL - 5K



JISF 7311 (KS 7311)



Screw Down Check Globe

TECHNICAL FEATURES

1	body	cast steel
2	bonnet	cast steel
3	handwheel	cast iron
4	disc	bronze / ss
5	body seat	bronze / ss
6	disc gland	bronze / ss
7	stem	brass / ss
8	washer	alloy tool steel
9	bush	bronze
10	packing ring	bronze / ss
11	packing gland	bronze
12	bonnet bold	rolled steel
13	packing gland bolt	rolled steel
14	bonnet nut	rolled steel
15	packing gland nut	rolled
16	handle nut	brass
17	set screw	rolled steel
18	split pin	brass wire
19	disc stopper	brass wire / ss
20	packing	teflon
21	gasket	non asbestos
22	name plate	brass plate

DIMENSIONS

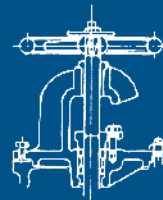
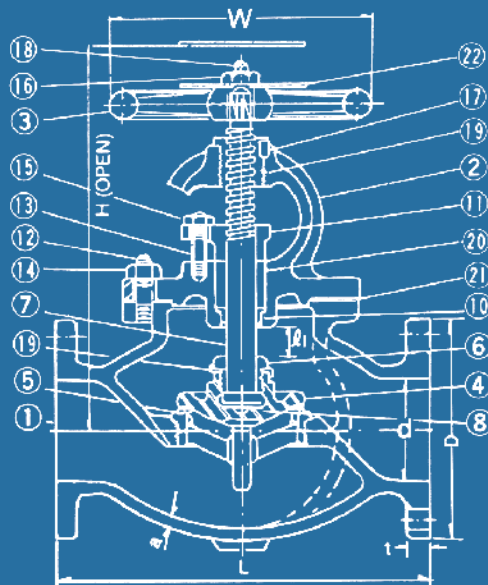
Rating	size (mm)	Ød (mm)	L (mm)	a (mm)	H (mm)	W (mm)	L1 (mm)	Weight (kg)
JIS 5K	50A	50	210	8	270	160	17	16.2
(JIS F7311)	65A	65	250	9	300	180	22	23.4
	80A	80	280	9	310	180	27	30
	100A	100	340	10	360	224	33	45
	125A	125	410	11	390	250	42	63
	150A	150	480	12	445	280	50	88
	200A	200	570	15	530	315	67	153
	250A	250	740	17	795	355	138	230
	300A	300	840	18	930	400	165	309



www.wosupply.com

TECHNICAL DATA

GLOBE VALVE CAST STEEL - 10K



JISF 7311 (KS 7311)



Screw Down Check Globe

TECHNICAL FEATURES

1	body	cast steel
2	bonnet	cast steel
3	handwheel	cast iron
4	disc	bronze / ss
5	body seat	bronze / ss
6	disc gland	bronze / ss
7	stem	brass / ss
8	washer	alloy tool steel
9	bush	bronze
10	packing ring	bronze / ss
11	packing gland	bronze
12	bonnet bold	rolled steel
13	packing gland bolt	rolled steel
14	bonnet nut	rolled steel
15	packing gland nut	rolled
16	handle nut	brass
17	set screw	rolled steel
18	split pin	brass wire
19	disc stopper	brass wire / ss
20	packing	teflon
21	gasket	non asbestos
22	name plate	brass plate

DIMENSIONS

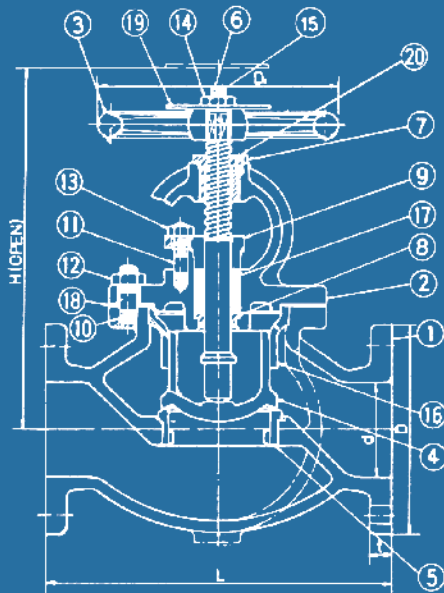
Rating	size (mm)	Ød (mm)	L (mm)	a (mm)	H (mm)	W (mm)	L1 (mm)	Weight (kg)
JIS 10K	50A	50	220	8	270	160	17	17.9
(JIS F7319)	65A	65	270	9	300	200	22	26
	80A	80	300	9	310	200	27	29.8
	100A	100	350	11	360	250	33	44.7
	125A	125	420	12	390	280	42	70.3
	150A	150	490	13	445	315	50	96.4
	200A	200	570	15	530	355	67	159
	250A	250	740	16	795	400	83	257
	300A	300	840	17	930	450	100	370



www.wosupply.com

TECHNICAL DATA

GLOBE SCREW-DOWN CHECK VALVE CAST STEEL - 10K



TECHNICAL FEATURES

1	body	cast steel
2	bonnet	cast steel
3	handwheel	cast iron
4	disc	stainless steel
5	seat ring	stainless steel
6	stem	stainless steel
7	yoke bush	brass
8	packing ring	stainless steel
9	packing gland	bronze
10	bolt	rolled steel
11	bolt	rolled steel /brass
12	nut	rolled steel /brass
13	nut	rolled steel /brass
14	nut	brass
15	split pin	brass wire
16	guide	stainless / bronze
17	packing	teflon
18	gasket	non asbestos
19	name plate	brass plate
20	set screw	rolled steel

DIMENSIONS

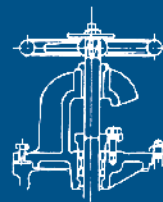
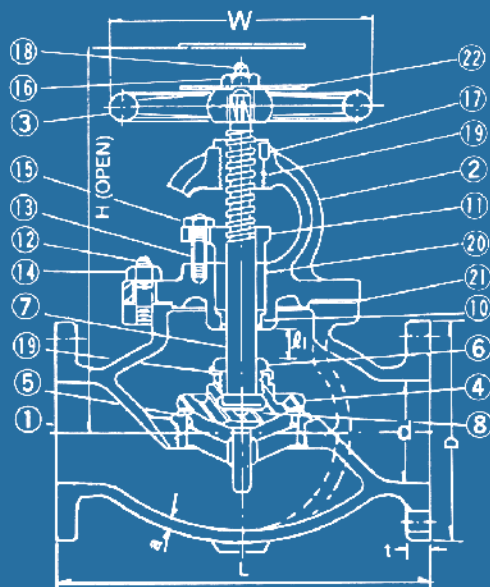
Rating	size (mm)	H (mm)	D (mm)	D (mm)	D1 (mm)	T (mm)	L (mm)
JIS 10K	50A	265	155	50	160	16	220
(JIS F7471)	65A	295	175	65	200	18	270
	80A	300	185	80	200	18	300
	100A	345	210	100	250	18	350
	125A	405	250	125	280	20	420
	150A	455	280	150	315	22	490
	200A	545	330	200	355	22	570



www.wosupply.com

TECHNICAL DATA

GLOBE VALVE CAST STEEL - 20K



JISF 7311 (KS 7311)



Screw Down Check Globe

TECHNICAL FEATURES

1	body	cast steel
2	bonnet	cast steel
3	handwheel	cast iron
4	disc	bronze / ss
5	body seat	bronze / ss
6	disc gland	bronze / ss
7	stem	brass / ss
8	washer	alloy tool steel
9	bush	bronze
10	packing ring	bronze / ss
11	packing gland	bronze
12	bonnet bold	rolled steel
13	packing gland bolt	rolled steel
14	bonnet nut	rolled steel
15	packing gland nut	rolled
16	handle nut	brass
17	set screw	rolled steel
18	split pin	brass wire
19	disc stopper	brass wire / ss
20	packing	teflon
21	gasket	non asbestos
22	name plate	brass plate

DIMENSIONS

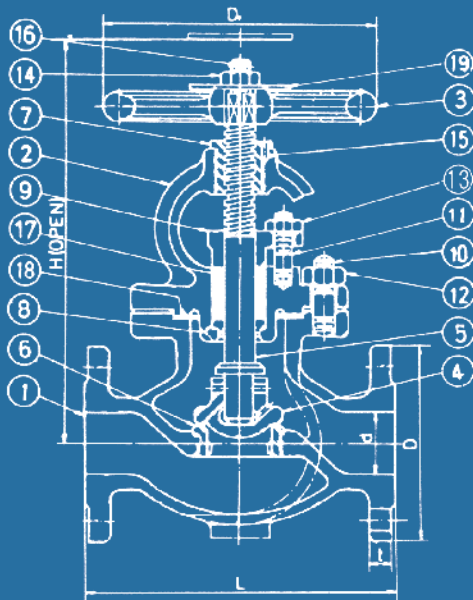
Rating	size (mm)	Ød (mm)	L (mm)	a (mm)	H (mm)	W (mm)	L1 (mm)	Weight (kg)
JIS 20K	50A	50	230	9	305	200	24	21.6
(JIS F7313)	65A	65	270	10	345	224	30	30.4
	80A	80	300	11	385	250	35	43.5
	100A	100	350	13	440	280	43	62.3
	125A	125	430	14	500	315	52	94.8
	150A	150	500	16	550	365	61	132
	200A	200	560	17	630	450	68	204
	250A	250	660	19	725	560	83	336



www.wosupply.com

TECHNICAL DATA

GLOBE SCREW-DOWN CHECK VALVE CAST STEEL - 20K



TECHNICAL FEATURES

1	body	cast steel
2	bonnet	cast steel
3	handwheel	cast iron (below 150mm) cast steel (above 200mm)
4	disc	stainless steel
5	stem	stainless steel
6	seat ring	stainless steel
7	yoke bush	brass
8	packing ring	stainless steel
9	packing gland	bronze
10	bolt	carbon steel
11	bolt	rolled steel
12	nut	carbon steel
13	nut	rolled steel
14	nut	brass
15	set screw	rolled steel
16	split pin	brass wire
17	packing	teflon
18	gasket	non-asbestos
19	name plate	brass plate

DIMENSIONS

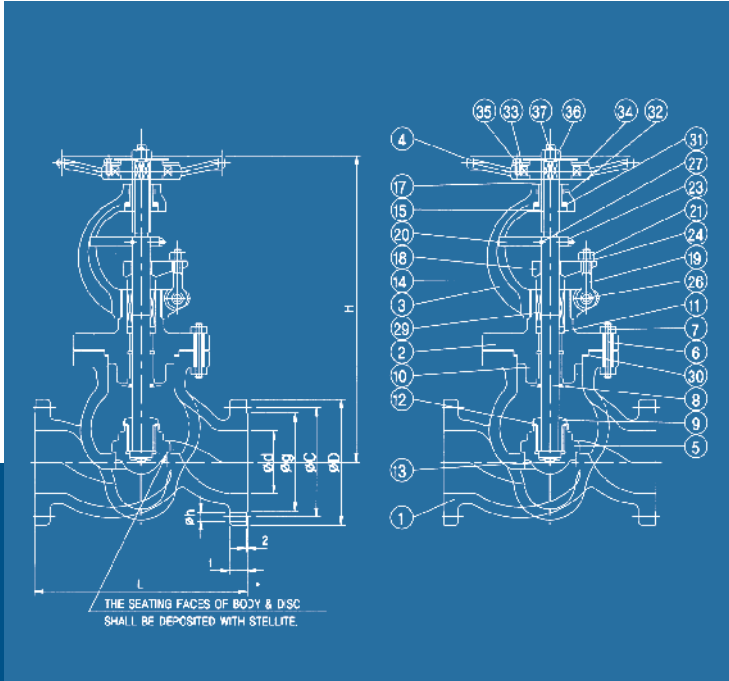
Rating	size (mm)	H (mm)	D (mm)	D (mm)	D1 (mm)	T (mm)	L (mm)
JIS 20K	32A	265	135	32	160	18	190
(JIS F7473)	40A	280	140	40	160	18	200
	50A	295	155	50	200	18	230
	65A	330	175	65	224	20	270
	80A	370	200	80	250	22	300
	100A	420	225	100	280	24	350
	125A	475	270	125	315	26	430
	150A	525	305	150	355	28	500
	200A	605	350	200	455	30	560
	250A	700	430	250	560	34	660



www.wosupply.com

TECHNICAL DATA

GLOBE VALVE CAST STEEL- 30K



FLUID CONDITION & MAX. WORKING PRESSURE

Rating Fluid Condition	JIS 30K	
	Carbon Steel	Molybdenum Steel
Steam of 490 °C	-	-
Steam of 475 °C	-	-
Steam of 450 °C	-	3.33(34)
Steam of 425 °C	2.94(30)	3.53(36)
Steam of 400 °C	3.33(34)	3.73(38)
Steam of 350 °C		3.82(39)
Steam up to 300 °C		4.22(43)
Air, gas, oil and pulsation water		4.51(46)

DIMENSIONS

Rating	size (mm)	Ød (mm)	ØD (mm)	ØC (mm)	Øg (mm)	N-Øh (mm)	t (mm)	L1 (mm)	H (mm)	Weight (kg)
JIS 30K	100A	100	240	195	160	8-25	32	410	575	115
(JIS F7315)	125A	125	275	230	195	8-25	36	460	670	168
	150A	150	325	275	235	12-27	38	500	755	242

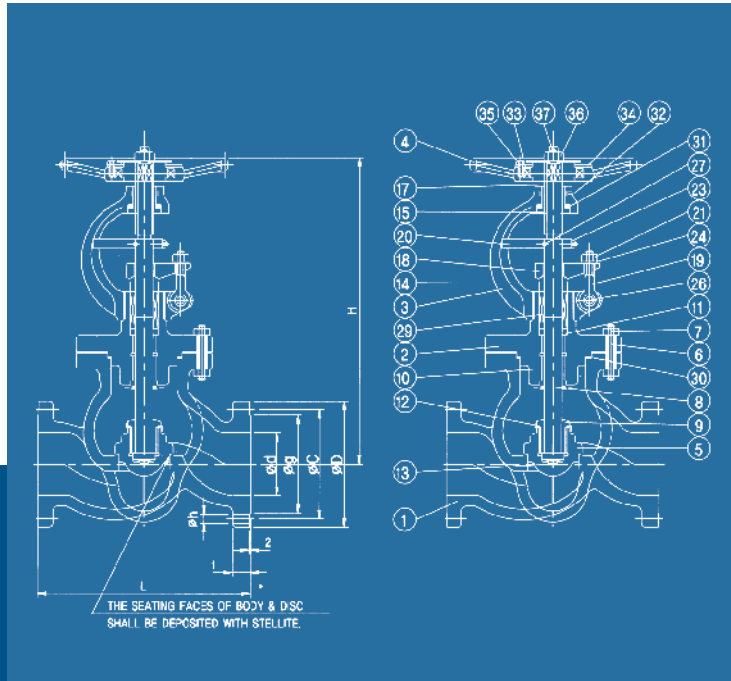
TECHNICAL FEATURES

1	body	cast steel
2	bonnet	cast steel
3	yoke	cast steel
4	handwheel	cast iron
5	disc	stainless steel
6	stud bolt	carbon steel
7	hexagon nut	carbon steel
8	stem	stainless steel
9	packing bush	stainless steel
10	back seat ring	stainless steel
11	seat ring	stainless steel
12	disc lock washer	stainless steel
13	washer for stem	stainless steel
14	packing gland ring	stainless steel
15	screwed bush	brass
17	washer	bronze
18	packing gland	carbon steel
19	hinge bolt	carbon steel
20	stopper for stem	carbon steel
21	hexagon nut	steel
23	hexagon nut	steel
24	washer	steel
26	pin	carbon steel
27	taper pin	carbon steel
29	packing gasket	non asbestos
30	gasket	non asbestos
31	thrust ball bearing	
32	grease nipple	
33	pounding receiver	carbon steel
34	handwheel cover	steel
35	handwheel cover	steel
36	hexagon nut	steel
37	split pin	brass



TECHNICAL DATA

GLOBE SCREW-DOWN CHECK VALVE CAST STEEL- 30K



FLUID CONDITION & MAX. WORKING PRESSURE

Rating Fluid Condition	JIS 30K	
	Carbon Steel	Molybdenum Steel
Steam of 490 °C	-	-
Steam of 475 °C	-	-
Steam of 450 °C	-	3.33(34)
Steam of 425 °C	2.94(30)	3.53(36)
Steam of 400 °C	3.33(34)	3.73(38)
Steam of 350 °C		3.82(39)
Steam up to 300 °C		4.22(43)
Air, gas, oil and pulsation water		4.51(46)

DIMENSIONS

Rating	size (mm)	Ød (mm)	ØD (mm)	ØC (mm)	Øg (mm)	N-Øh (mm)	t (mm)	L1 (mm)	H (mm)	Weight (kg)
JIS 30K	100A	100	240	195	160	8-25	32	410	575	115
(JIS F7315S)	125A	125	275	230	195	8-25	36	460	670	168
	150A	150	325	275	235	12-27	38	500	755	242

TECHNICAL FEATURES

1	body	cast steel
2	bonnet	cast steel
3	yoke	cast steel
4	handwheel	cast iron
5	disc	stainless steel
6	stud bolt	carbon steel
7	hexagon nut	carbon steel
8	stem	stainless steel
9	packing bush	stainless steel
10	back seat ring	stainless steel
11	seat ring	stainless steel
12	disc lock washer	stainless steel
13	washer for stem	stainless steel
14	packing gland ring	stainless steel
15	screwed bush	brass
17	washer	bronze
18	packing gland	carbon steel
19	hinge bolt	carbon steel
20	stopper for stem	carbon steel
21	hexagon nut	steel
23	hexagon nut	steel
24	washer	steel
26	pin	carbon steel
27	taper pin	carbon steel
29	packing gasket	non asbestos
30	gasket	non asbestos
31	thrust ball bearing	
32	grease nipple	
33	pounding receiver	carbon steel
34	handwheel cover	steel
35	handwheel cover	steel
36	hexagon nut	steel
37	split pin	brass



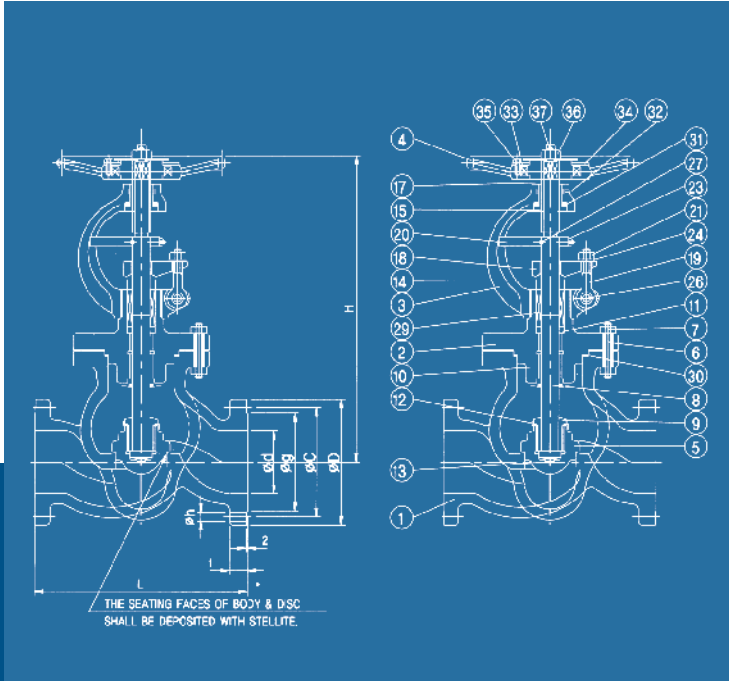
For nominal dia 32 to 80



Screw Down Non Return (SDNR)

TECHNICAL DATA

GLOBE VALVE CAST STEEL- 40K



FLUID CONDITION & MAX. WORKING PRESSURE

Rating Fluid Condition	JIS 40K	
	Carbon Steel	Molybdenum Steel
Steam of 490 °C	-	-
Steam of 475 °C	-	3.92(40)
Steam of 450 °C	-	4.41(45)
Steam of 425 °C	3.92(40)	4.71(48)
Steam of 400 °C	4.51(46)	5.00(51)
Steam of 350 °C	5.10(52)	
Steam up to 300 °C	5.59(57)	
Air, gas, oil and pulsation water	6.08(62)	

DIMENSIONS

Rating	size (mm)	Ød (mm)	ØD (mm)	ØC (mm)	Øg (mm)	N-Øh (mm)	t (mm)	L1 (mm)	H (mm)	Weight (kg)
JIS 40K	32A	32	140	105	80	4-19	24	229	370	25.4
(JIS F7317)	40A	38	160	120	90	4-23	24	241	395	30.2
	50A	50	165	130	105	8-19	26	292	435	41
	65A	62	200	160	130	8-23	30	330	490	62.3
	80A	75	210	170	140	8-23	32	356	540	79
	100A	100	250	205	165	8-25	36	432	640	140
	125A	120	300	250	200	8-27	40	508	720	197
	150A	145	355	295	240	12-33	44	559	815	298

TECHNICAL FEATURES

1	body	cast steel
2	bonnet	cast steel
3	yoke	cast steel
4	handwheel	cast iron
5	disc	stainless steel
6	stud bolt	carbon steel
7	hexagon nut	carbon steel
8	stem	stainless steel
9	packing bush	stainless steel
10	back seat ring	stainless steel
11	seat ring	stainless steel
12	disc lock washer	stainless steel
13	washer for stem	stainless steel
14	packing gland ring	stainless steel
15	screwed bush	brass
17	washer	bronze
18	packing gland	carbon steel
19	hinge bolt	carbon steel
20	stopper for stem	carbon steel
21	hexagon nut	steel
23	hexagon nut	steel
24	washer	steel
26	pin	carbon steel
27	taper pin	carbon steel
29	packing gasket	non asbestos
30	gasket	non asbestos
31	thrust ball bearing	
32	grease nipple	
33	pounding receiver	carbon steel
34	handwheel cover	steel
35	handwheel cover	steel
36	hexagon nut	steel
37	split pin	brass



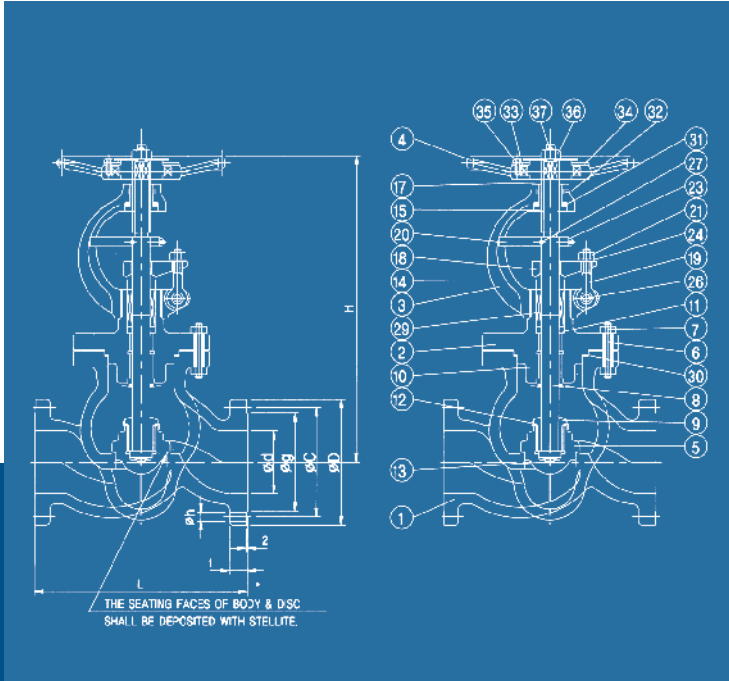
For nominal dia 32 to 80



Screw Down Non Return (SDNR)

TECHNICAL DATA

GLOBE SCREW-DOWN CHECK VALVE CAST STEEL- 40K



FLUID CONDITION & MAX. WORKING PRESSURE

Rating Fluid Condition	JIS 40K	
	Carbon Steel	Molybdenum Steel
Steam of 490 °C	-	-
Steam of 475 °C	-	3.92(40)
Steam of 450 °C	-	4.41(45)
Steam of 425 °C	3.92(40)	4.71(48)
Steam of 400 °C	4.51(46)	5.00(51)
Steam of 350 °C	5.10(52)	
Steam up to 300 °C	5.59(57)	
Air, gas, oil and pulsation water	6.08(62)	

DIMENSIONS

Rating	size (mm)	Ød (mm)	ØD (mm)	ØC (mm)	Øg (mm)	N-Øh (mm)	t (mm)	L1 (mm)	H (mm)	Weight (kg)
JIS 40K	32A	32	140	105	80	4-19	24	229	370	25.4
(JIS F7317S)	40A	38	160	120	90	4-23	24	241	395	30.2
	50A	50	165	130	105	8-19	26	292	435	41
	65A	62	200	160	130	8-23	30	330	490	62.3
	80A	75	210	170	140	8-23	32	356	540	79
	100A	100	250	205	165	8-25	36	432	640	140
	125A	120	300	250	200	8-27	40	508	720	197
	150A	145	355	295	240	12-33	44	559	815	298

TECHNICAL FEATURES

1	body	cast steel
2	bonnet	cast steel
3	yoke	cast steel
4	handwheel	cast iron
5	disc	stainless steel
6	stud bolt	carbon steel
7	hexagon nut	carbon steel
8	stem	stainless steel
9	packing bush	stainless steel
10	back seat ring	stainless steel
11	seat ring	stainless steel
12	disc lock washer	stainless steel
13	washer for stem	stainless steel
14	packing gland ring	stainless steel
15	screwed bush	brass
17	washer	bronze
18	packing gland	carbon steel
19	hinge bolt	carbon steel
20	stopper for stem	carbon steel
21	hexagon nut	steel
23	hexagon nut	steel
24	washer	steel
26	pin	carbon steel
27	taper pin	carbon steel
29	packing gasket	non asbestos
30	gasket	non asbestos
31	thrust ball bearing	
32	grease nipple	
33	pounding receiver	carbon steel
34	handwheel cover	steel
35	handwheel cover	steel
36	hexagon nut	steel
37	split pin	brass



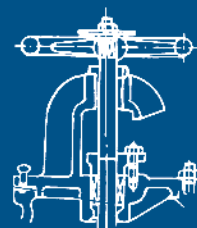
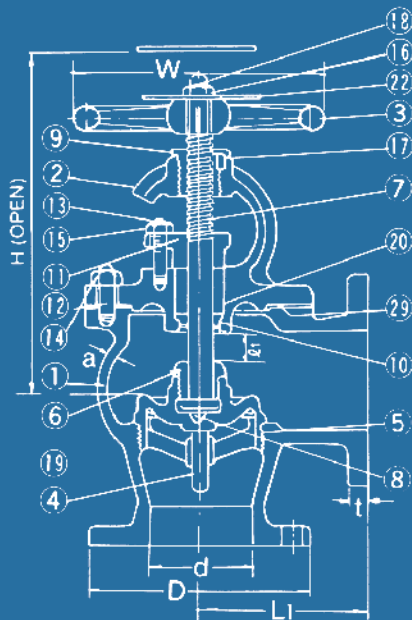
For nominal dia 32 to 80



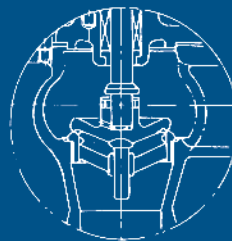
Screw Down Non Return (SDNR)

TECHNICAL DATA

ANGLE VALVE CAST STEEL - 5K



F7312



TECHNICAL FEATURES

1	body	cast steel
2	bonnet	cast steel
3	handwheel	cast iron
4	disc	bronze / ss
5	body seat	bronze / ss
6	disc gland	bronze / ss
7	stem	brass / ss
8	washer	alloy tool steel
9	bush	bronze
10	packing ring	bronze/ ss
11	packing gland	bronze
12	bonnet bolt	rolled steel
13	packing gland bolt	rolled steel
14	bonnet nut	rolled steel
15	packing gland nut	rolled
16	handle nut	brass
17	set screw	rolled steel
18	split pin	brass wire
19	disc stopper	brass plate / ss
20	packing	teflon
21	gasket	non asbestos
22	name plate	brass plate

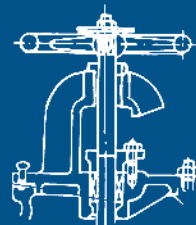
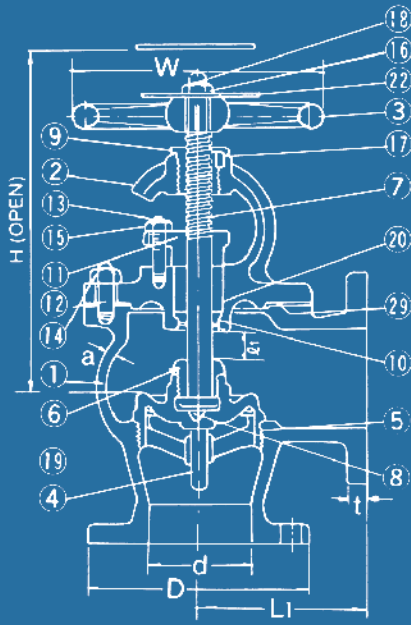
DIMENSIONS

Rating	size (mm)	Ød (mm)	ØD (mm)	ØC (mm)	N-Øh (mm)	t (mm)	L1 (mm)	H (mm)	Weight (kg)
JIS 5K	50A	50	130	105	4-15	16	100	240	12.9
(JIS F7306)	65A	65	155	130	4-15	18	115	255	18.2
	80A	80	180	145	4-19	18	130	265	23.4
	100A	100	200	165	8-19	20	150	310	33.7
	125A	125	235	200	8-19	20	170	330	46.2
	150A	150	265	230	8-19	22	190	380	63.4
	200A	200	320	280	8-23	24	220	450	105
	250A	250	385	345	12-23	26	275	540	178
	300A	300	430	390	12-23	28	310	610	275
	350A	335	480	435	12-25	30	360	690	357
	400A	380	540	495	16-25	30	395	770	501

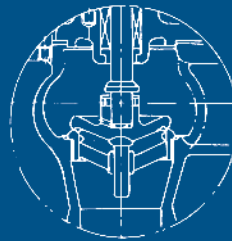
www.wosupply.com

TECHNICAL DATA

ANGLE VALVE CAST STEEL - 10K



F7312



TECHNICAL FEATURES

- | | | |
|----|--------------------|------------------|
| 1 | body | cast steel |
| 2 | bonnet | cast steel |
| 3 | handwheel | cast iron |
| 4 | disc | bronze / ss |
| 5 | body seat | bronze / ss |
| 6 | disc gland | bronze / ss |
| 7 | stem | brass / ss |
| 8 | washer | alloy tool steel |
| 9 | bush | bronze |
| 10 | packing ring | bronze/ ss |
| 11 | packing gland | bronze |
| 12 | bonnet bolt | rolled steel |
| 13 | packing gland bolt | rolled steel |
| 14 | bonnet nut | rolled steel |
| 15 | packing gland nut | rolled |
| 16 | handle nut | brass |
| 17 | set screw | rolled steel |
| 18 | split pin | brass wire |
| 19 | disc stopper | brass plate / ss |
| 20 | packing | teflon |
| 21 | gasket | non asbestos |
| 22 | name plate | brass plate |

DIMENSIONS

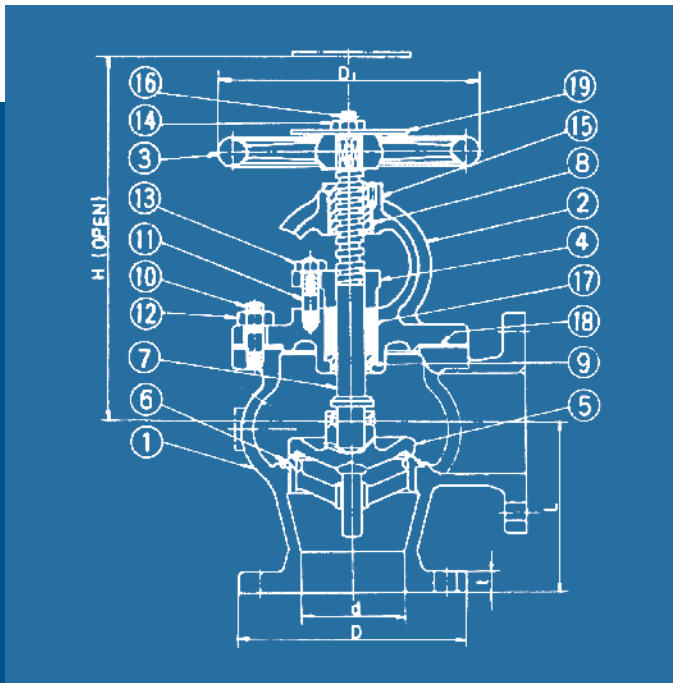
Rating	size (mm)	Ød (mm)	ØD (mm)	ØC (mm)	N-Øh (mm)	t (mm)	L (mm)	H (mm)	Weight (kg)
JIS 10K	50A	50	155	120	4-19	20	120	255	16.3
(JIS F7320)	65A	65	175	140	4-19	22	130	270	23
	80A	80	185	150	8-19	22	140	275	25.3
	100A	100	210	175	8-19	24	160	315	37
	125A	125	250	210	8-23	24	180	360	57.1
	150A	150	280	240	8-23	26	205	405	77.2
	200A	200	330	290	12-23	26	230	475	116
	250A	250	400	355	12-25	30	290	570	188
	300A	300	445	400	16-25	32	320	645	256
	350A	335	490	445	16-25	34	360	710	357
	400A	380	560	510	16-27	36	420	790	501



www.wosupply.com

TECHNICAL DATA

ANGLE SCREW-DOWN CHECK VALVE CAST STEEL - 10K



TECHNICAL FEATURES

1	body	cast steel
2	bonnet	cast steel
3	handwheel	cast iron
4	packing gland	bronze
5	disc	stainless steel
6	seat ring	stainless steel
7	stem	stainless steel
8	yoke sleeve	brass
9	packing ring	stainless steel
10	bolt	rolled steel
11	bolt	rolled steel / brass
12	nut	rolled steel / brass
13	nut	rolled steel / brass
14	nut	brass
15	set screw	rolled steel
16	split pin	brass wire
17	packing	teflon
18	gasket	non asbestos
19	name plate	brass plate

DIMENSIONS

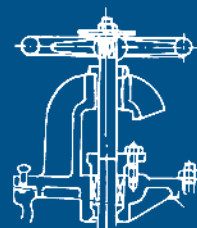
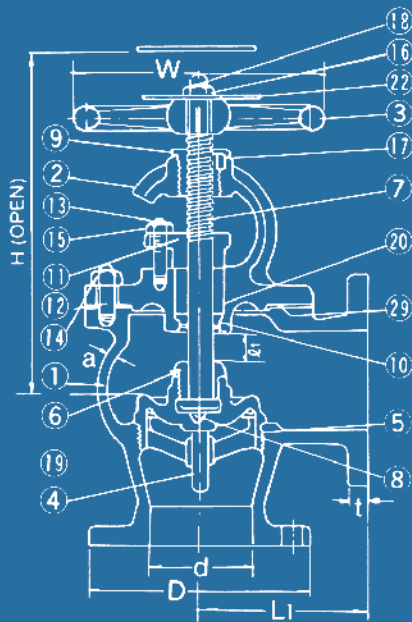
Rating	size (mm)	H (mm)	D (mm)	d (mm)	D1 (mm)	t (mm)	L (mm)
JIS 10K	50A	235	155	8	240	160	17
(JIS F7472)	65A	250	175	65	200	18	130
	80A	255	185	80	200	18	140
	100A	290	210	100	250	18	160
	125A	340	250	125	280	20	180
	150A	385	280	150	315	22	205
	200A	460	330	200	355	22	230



www.wosupply.com

TECHNICAL DATA

ANGLE VALVE CAST STEEL - 20K



F7312



TECHNICAL FEATURES

1	body	cast steel
2	bonnet	cast steel
3	handwheel	cast iron
4	disc	bronze / ss
5	body seat	bronze / ss
6	disc gland	bronze / ss
7	stem	brass / ss
8	washer	alloy tool steel
9	bush	bronze
10	packing ring	bronze / ss
11	packing gland	bronze
12	bonnet bolt	rolled steel
13	packing gland bolt	rolled steel
14	bonnet nut	rolled steel
15	packing gland nut	rolled
16	handle nut	brass
17	set screw	rolled steel
18	split pin	brass wire
19	disc stopper	brass plate / ss
20	packing	teflon
21	gasket	non asbestos
22	name plate	brass plate

DIMENSIONS

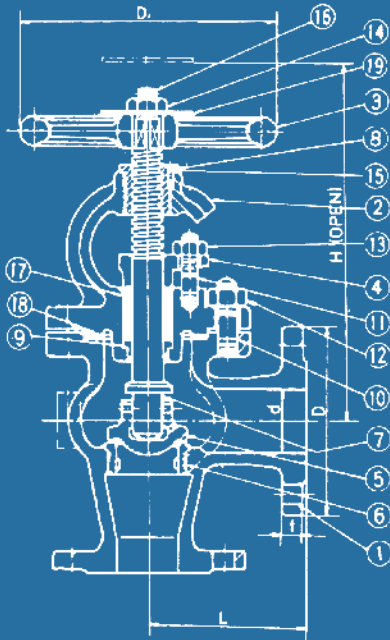
Rating	size (mm)	Ød (mm)	L (mm)	a (mm)	H (mm)	W (mm)	L1 (mm)	Weight (kg)
JIS 20K	50A	50	125	9	275	200	24	20
(JIS F7314)	65A	65	135	10	305	224	30	26.9
	80A	80	150	11	340	250	35	38.9
	100A	100	170	13	385	280	43	54.4
	125A	125	200	14	440	315	52	79.9
	150A	150	225	16	485	365	61	111
	200A	200	280	17	540	450	68	181
	250A	250	310	19	620	560	83	283

www.wosupply.com



TECHNICAL DATA

ANGLE SCREW-DOWN CHECK VALVE CAST STEEL - 20K



TECHNICAL FEATURES

1	body	cast steel
2	bonnet	cast steel
3	handwheel	cast iron (below 150mm) cast steel (above 200mm)
4	packing gland	bronze
5	disc	stainless steel
6	seat ring	stainless steel
7	stem	stainless steel
8	yoke sleeve	brass
9	packing ring	stainless steel
10	bolt	carbon steel
11	bolt	rolled steel
12	nut	carbon steel
13	nut	rolled steel
14	nut	brass
15	set screw	rolled steel
16	split pin	brass ware
17	packing gasket	teflon
18	gasket plate	non asbestos
19	name plate	brass plate

DIMENSIONS

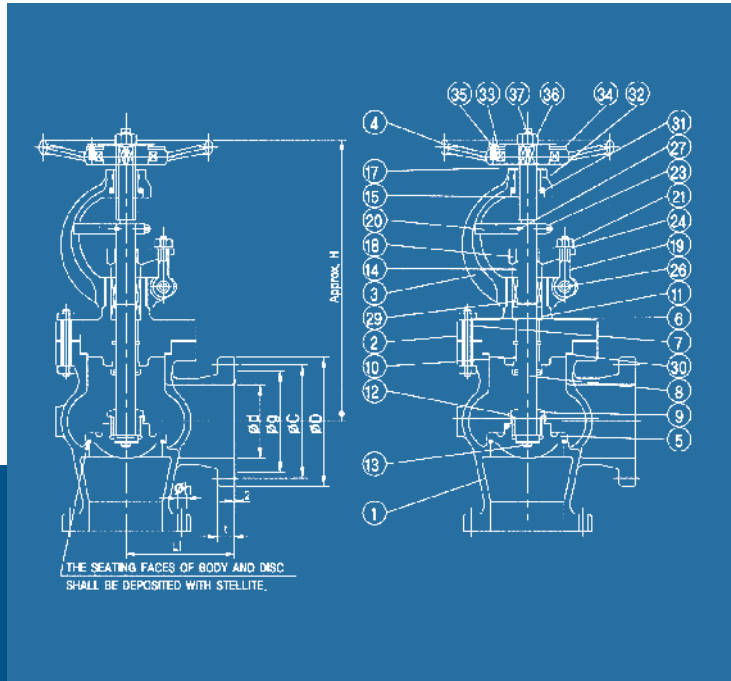
Rating	size (mm)	H (mm)	D (mm)	d (mm)	D1 (mm)	t (mm)	L (mm)
JIS 20K	32A	240	135	32	160	18	100
(JIS F7474)	40A	255	140	40	160	18	110
	50A	270	155	50	200	18	125
	65A	295	175	65	224	20	135
	80A	325	200	80	250	22	150
	90A	354	210	90	280	24	160
	100A	365	225	100	280	24	170
	125A	415	270	125	315	26	200
	150A	460	305	150	355	28	225
	200A	520	350	200	450	30	280
	250A	595	430	250	560	34	310



www.wosupply.com

TECHNICAL DATA

ANGLE VALVE CAST STEEL- 30K

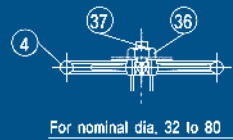


FLUID CONDITION & MAX. WORKING PRESSURE

Rating Fluid Condition	JIS 30K	
	Carbon Steel	Molybdenum Steel
Steam of 490 °C	-	-
Steam of 475 °C	-	-
Steam of 450 °C	-	3.33(34)
Steam of 425 °C	2.94(30)	3.53(36)
Steam of 400 °C	3.33(34)	3.73(38)
Steam of 350 °C		3.82(39)
Steam up to 300 °C		4.22(43)
Air, gas, oil and pulsation water		4.51(46)

DIMENSIONS

Rating	size (mm)	Ød (mm)	ØD (mm)	ØC (mm)	Øg (mm)	N-Øh (mm)	t (mm)	L1 (mm)	H (mm)	Weight (kg)
JIS 30K	100A	100	240	195	160	8-25	32	205	530	106
(JIS F7316)	125A	125	275	230	195	8-25	36	230	615	154
	150A	150	325	275	235	12-27	38	250	690	223



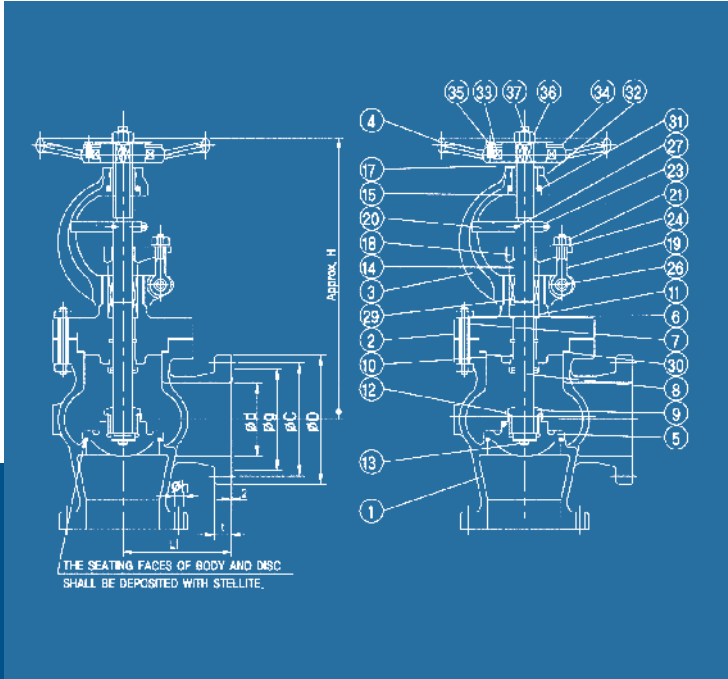
Screw Down Non Return (SDNR)

TECHNICAL FEATURES

1	body	cast steel
2	bonnet	cast steel
3	yoke	cast steel
4	handwheel	cast iron
5	disc	stainless steel
6	stud bolt	carbon steel
7	hexagon nut	carbon steel
8	stem	stainless steel
9	packing bush	stainless steel
10	back seat ring	stainless steel
11	seat ring	stainless steel
12	disc lock washer	stainless steel
13	washer for stem	stainless steel
14	packing gland ring	stainless steel
15	screwed bush	brass
17	washer	bronze
18	packing gland	carbon steel
19	hinge bolt	carbon steel
20	stopper for stem	carbon steel
21	hexagon nut	steel
23	hexagon nut	steel
24	washer	steel
26	pin	carbon steel
27	taper pin	carbon steel
29	packing gasket	non asbestos
30	gasket	non asbestos
31	thrust ball bearing	
32	grease nipple	
33	pounding receiver	carbon steel
34	handwheel cover	steel
35	handwheel cover	steel
36	hexagon nut	steel
37	split pin	brass

TECHNICAL DATA

ANGLE SCREW-DOWN CHECK VALVE CAST STEEL- 30K

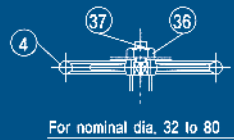


FLUID CONDITION & MAX. WORKING PRESSURE

Rating Fluid Condition	JIS 30K	
	Carbon Steel	Molybdenum Steel
Steam of 490 °C	-	-
Steam of 475 °C	-	-
Steam of 450 °C	-	3.33(34)
Steam of 425 °C	2.94(30)	3.53(36)
Steam of 400 °C	3.33(34)	3.73(38)
Steam of 350 °C		3.82(39)
Steam up to 300 °C		4.22(43)
Air, gas, oil and pulsation water		4.51(46)

DIMENSIONS

Rating	size (mm)	Ød (mm)	ØD (mm)	ØC (mm)	Øg (mm)	N-Øh (mm)	t (mm)	L1 (mm)	H (mm)	Weight (kg)
JIS 30K	100A	100	240	195	160	8-25	32	205	530	106
(JIS F7316S)	125A	125	275	230	195	8-25	36	230	615	154
	150A	150	325	275	235	12-27	38	250	690	223



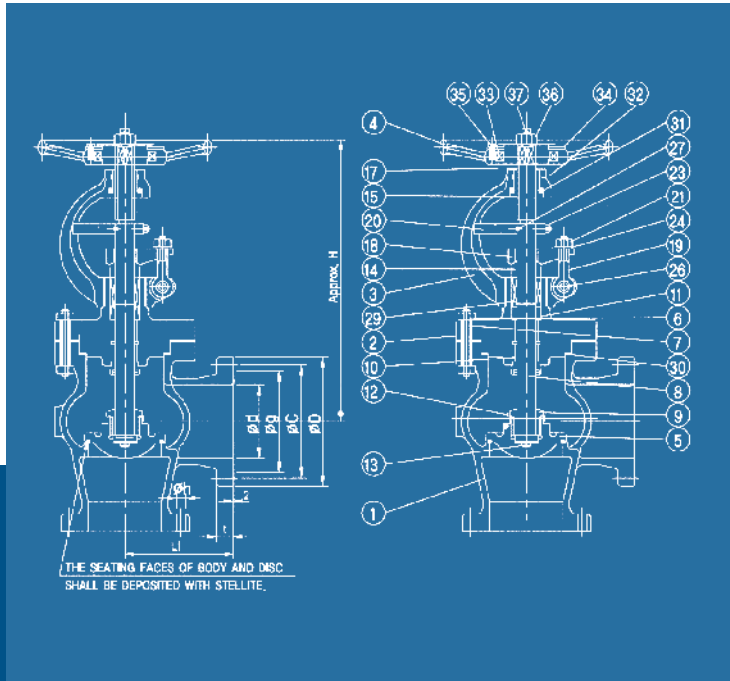
Screw Down Non Return
(SDNR)

TECHNICAL FEATURES

1	body	cast steel
2	bonnet	cast steel
3	yoke	cast steel
4	handwheel	cast iron
5	disc	stainless steel
6	stud bolt	carbon steel
7	hexagon nut	carbon steel
8	stem	stainless steel
9	packing bush	stainless steel
10	back seat ring	stainless steel
11	seat ring	stainless steel
12	disc lock washer	stainless steel
13	washer for stem	stainless steel
14	packing gland ring	stainless steel
15	screwed bush	brass
17	washer	bronze
18	packing gland	carbon steel
19	hinge bolt	carbon steel
20	stopper for stem	carbon steel
21	hexagon nut	steel
23	hexagon nut	steel
24	washer	steel
26	pin	carbon steel
27	taper pin	carbon steel
29	packing gasket	non asbestos
30	gasket	non asbestos
31	thrust ball bearing	
32	grease nipple	
33	pounding receiver	carbon steel
34	handwheel cover	steel
35	handwheel cover	steel
36	hexagon nut	steel
37	split pin	brass

TECHNICAL DATA

ANGLE VALVE CAST STEEL- 40K



FLUID CONDITION & MAX. WORKING PRESSURE

Rating Fluid Condition	JIS 40K	
	Carbon Steel	Molybdenum Steel
Steam of 490 °C	-	-
Steam of 475 °C	-	3.92(40)
Steam of 450 °C	-	4.41(45)
Steam of 425 °C	3.92(40)	4.71(48)
Steam of 400 °C	4.51(46)	5.00(51)
Steam of 350 °C	5.10(52)	
Steam up to 300 °C	5.59(57)	
Air, gas, oil and pulsation water	6.08(62)	

DIMENSIONS

Rating	size (mm)	Ød (mm)	ØD (mm)	ØC (mm)	Øg (mm)	N-Øh (mm)	t (mm)	L1 (mm)	H (mm)	Weight (kg)
JIS 40K	32A	32	140	105	80	4-19	24	114	350	24.9
(JIS F7318)	40A	38	160	120	90	4-23	24	121	370	29.4
	50A	50	165	130	105	8-19	26	146	405	40
	65A	62	200	160	130	8-23	30	165	455	60.3
	80A	75	210	170	140	8-23	32	178	500	76.2
	100A	100	250	205	165	8-25	36	216	590	135
	125A	120	300	250	200	8-27	40	254	660	189
	150A	145	355	295	240	12-33	44	279	740	284

TECHNICAL FEATURES

1	body	cast steel
2	bonnet	cast steel
3	yoke	cast steel
4	handwheel	cast iron
5	disc	stainless steel
6	stud bolt	carbon steel
7	hexagon nut	carbon steel
8	stem	stainless steel
9	packing bush	stainless steel
10	back seat ring	stainless steel
11	seat ring	stainless steel
12	disc lock washer	stainless steel
13	washer for stem	stainless steel
14	packing gland ring	stainless steel
15	screwed bush	brass
17	washer	bronze
18	packing gland	carbon steel
19	hinge bolt	carbon steel
20	stopper for stem	carbon steel
21	hexagon nut	steel
23	hexagon nut	steel
24	washer	steel
26	pin	carbon steel
27	taper pin	carbon steel
29	packing gasket	non asbestos
30	gasket	non asbestos
31	thrust ball bearing	
32	grease nipple	
33	pounding receiver	carbon steel
34	handwheel cover	steel
35	handwheel cover	steel
36	hexagon nut	steel
37	split pin	brass



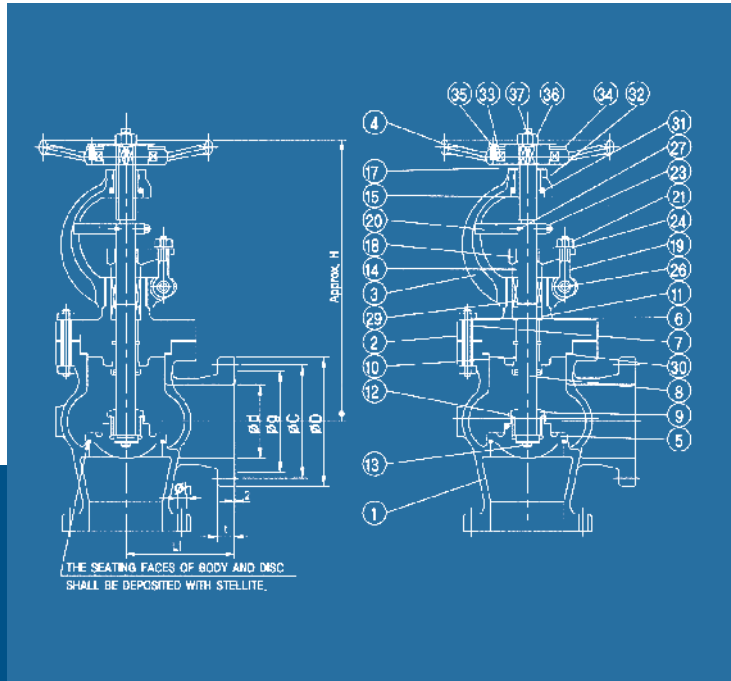
For nominal dia. 32 to 80



Screw Down Non Return (SDNR)

TECHNICAL DATA

ANGLE SCREW-DOWN CHECK VALVE CAST STEEL- 40K

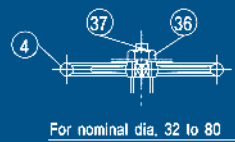


FLUID CONDITION & MAX. WORKING PRESSURE

Rating Fluid Condition	JIS 40K	
	Carbon Steel	Molybdenum Steel
Steam of 490 °C	-	-
Steam of 475 °C	-	3.92(40)
Steam of 450 °C	-	4.41(45)
Steam of 425 °C	3.92(40)	4.71(48)
Steam of 400 °C	4.51(46)	5.00(51)
Steam of 350 °C	5.10(52)	
Steam up to 300 °C	5.59(57)	
Air, gas, oil and pulsation water	6.08(62)	

DIMENSIONS

Rating	size (mm)	Ød (mm)	ØD (mm)	ØC (mm)	Øg (mm)	N-Øh (mm)	t (mm)	L1 (mm)	H (mm)	Weight (kg)
JIS 40K	32A	32	140	105	80	4-19	24	114	350	24.9
(JIS F7318S)	40A	38	160	120	90	4-23	24	121	370	29.4
	50A	50	165	130	105	8-19	26	146	405	40
	65A	62	200	160	130	8-23	30	165	455	60.3
	80A	75	210	170	140	8-23	32	178	500	76.2
	100A	100	250	205	165	8-25	36	216	590	135
	125A	120	300	250	200	8-27	40	254	660	189
	150A	145	355	295	240	12-33	44	279	740	284



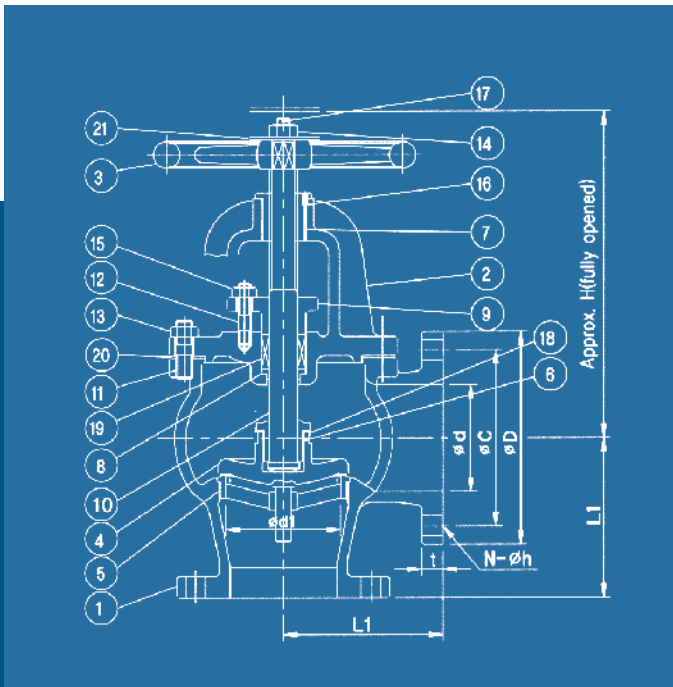
Screw Down Non Return (SDNR)

TECHNICAL FEATURES

1	body	cast steel
2	bonnet	cast steel
3	yoke	cast steel
4	handwheel	cast iron
5	disc	stainless steel
6	stud bolt	carbon steel
7	hexagon nut	carbon steel
8	stem	stainless steel
9	packing bush	stainless steel
10	back seat ring	stainless steel
11	seat ring	stainless steel
12	disc lock washer	stainless steel
13	washer for stem	stainless steel
14	packing gland ring	stainless steel
15	screwed bush	brass
17	washer	bronze
18	packing gland	carbon steel
19	hinge bolt	carbon steel
20	stopper for stem	carbon steel
21	hexagon nut	steel
23	hexagon nut	steel
24	washer	steel
26	pin	carbon steel
27	taper pin	carbon steel
29	packing gasket	non asbestos
30	gasket	non asbestos
31	thrust ball bearing	
32	grease nipple	
33	pounding receiver	carbon steel
34	handwheel cover	steel
35	handwheel cover	steel
36	hexagon nut	steel
37	split pin	brass

TECHNICAL DATA

HULL ANGLE VALVE (50A-300A) CAST STEEL - 10K



Indicator



Screw Down Non Return (SDNR)

TECHNICAL FEATURES

- | | | |
|----|------------------|-----------------|
| 1 | body | cast steel |
| 2 | bonnet | cast steel |
| 3 | handwheel | cast iron |
| 4 | disc | bronz / ss |
| 5 | valve seat | bronz / ss |
| 6 | disc nut | bronz / ss |
| 7 | stem | bronz / ss |
| 8 | washer for stem | stainless steel |
| 9 | bonnet Bush | bronze |
| 10 | seat ring | bronz / ss |
| 11 | pack ing gland | bronze |
| 12 | stud bolt | steel |
| 13 | stud bolt | brass |
| 14 | hexagon nut | steel |
| 15 | hexagon nut | brass |
| 16 | hexagon nut | steel |
| 17 | lock pin | steel |
| 18 | split pin | brass |
| 19 | disc lock washer | brass / ss |
| 20 | packing gasket | non asbestos |
| 21 | gasket | non Asbestos |
| 22 | washer | steel |
| 23 | disc guide | stainless steel |
| 24 | disc | cast steel |
| 25 | valve seat | cast steel |
| 26 | guide bush | stainless steel |
| 27 | indicator piece | brass |
| 28 | indicator plate | brass |
| 29 | machine screw | brass |
| 30 | machine screw | brass |

FLUID CONDITION & MAX. WORKING PRESSURE

Rating Fluid Condition	Nominal Dia. up to 200	
	Class B	Class S
Sea Water and Bilge	0.98(10)	1.57(16)

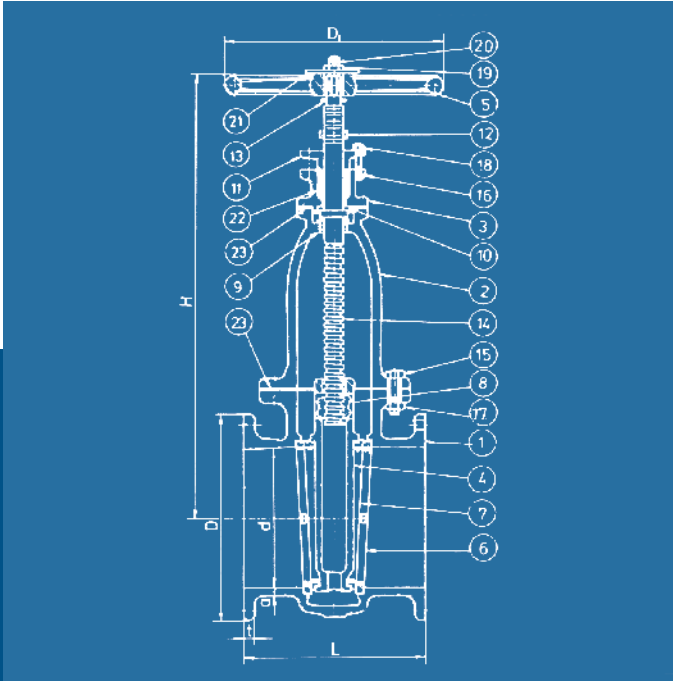
DIMENSIONS

Rating	size (mm)	Ød (mm)	ØD (mm)	ØC (mm)	N-Øh (mm)	t (mm)	L1 (mm)	H (mm)	Weight (kg)
JIS 10K	50A	50	155	120	4-19	16	120	265	16.5
(JIS F7350)	65A	65	175	140	4-19	18	130	290	23.3
	80A	80	185	150	8-19	18	140	300	25.5
	100A	100	210	175	8-19	18	160	340	37.3
	125A	125	250	210	8-23	20	180	400	57.7
	150A	150	280	240	8-23	22	205	455	78
	200A	200	330	290	12-23	22	230	555	117
	250A	250	400	355	12-25	24	290	625	190
	300A	300	445	400	16-25	24	320	720	258



TECHNICAL DATA

GATE VALVE CAST STEEL - 10K



TECHNICAL FEATURES

- | | | |
|-----------|-----------------|--------------------------|
| 1 | body | cast steel |
| 2 | bonnet | cast steel |
| 3 | stuffing box | cast steel |
| 4 | disc | cast steel |
| 5 | handwheel | cast iron |
| 6 | body seat ring | bronze / stainless steel |
| 7 | disc seat ring | bronze / stainless steel |
| 8 | screwed bush | bronze |
| 9 | guide bush | bronze |
| 10 | guide bush | bronze |
| 11 | packing gland | bronze |
| 12 | indicator | bronze |
| 13 | indicator plate | bronze |
| 14 | stem | Brass / Stainless |
| 15 | bolt | Rolled steel |
| 16 | bolt | brass |
| 17 | nut | Rolled steel |
| 18 | nut | brass |
| 19 | nut | brass |
| 20 | split pin | brass |
| 21 | name plate | brass |
| 22 | packing | teflon |
| 23 | gasket | non asbestos |

DIMENSIONS

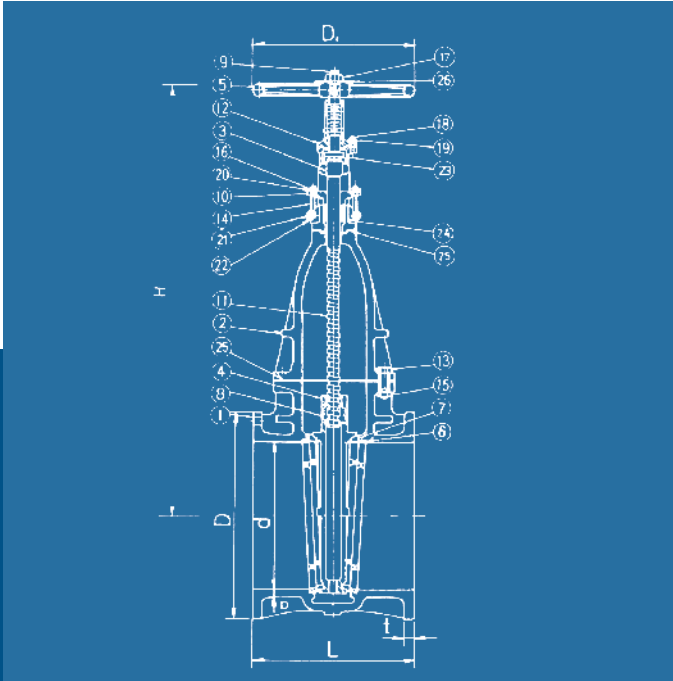
Size	H (mm)	D (mm)	d (mm)	D1 (mm)	t (mm)	L (mm)
50A	300	155	50	140	16	200
65A	350	175	65	160	18	220
80A	400	185	80	180	18	230
100A	450	210	100	200	18	250
125A	520	250	125	224	20	270
150A	580	280	150	250	22	290
200A	700	330	200	315	22	310
250A	840	400	250	400	24	340
300A	960	445	300	450	24	380
350A	1050	490	335	500	26	420
400A	1150	560	380	650	28	480



www.wosupply.com

TECHNICAL DATA

GATE VALVE CAST STEEL - 10K



TECHNICAL FEATURES

- | | | |
|-----------|----------------|--------------------------|
| 1 | body | cast steel |
| 2 | bonnet | cast steel |
| 3 | guide bush | cast steel |
| 4 | disc | cast steel |
| 5 | handwheel | cast iron |
| 6 | body seat ring | bronze / stain steel |
| 7 | disc seat ring | bronze / stain steel |
| 8 | screw bush | bronze |
| 9 | split pin | brass |
| 10 | packing gland | bronze |
| 11 | stem | bronze / stainless steel |
| 12 | cop for yoke | cast steel |
| 13 | bolt | rolled steel |
| 14 | swing bolt | stainless steel |
| 15 | nut | rolled steel |
| 16 | nut | brass |
| 17 | nut | brass |
| 18 | stud bolt | rolled steel |
| 19 | nut | rolled steel |
| 20 | washer | brass |
| 21 | pin | brass |
| 22 | pin | brass |
| 23 | grease nipple | |
| 24 | packing | teflon |
| 25 | gasket | non asbestos |
| 26 | name plate | brass |

DIMENSIONS

Size	H (mm)	D (mm)	d (mm)	D1 (mm)	t (mm)	L (mm)
450A	1300	620	430	450	30	450
500A	1420	675	480	500	30	500
550A	1550	745	530	500	32	550
600A	1650	795	580	500	32	600
650A	1750	845	630	560	34	650
700A	1850	905	680	560	34	700
750A	1950	970	730	630	36	750
800A	2050	1020	780	630	36	800



www.wosupply.com



3 BRONZE

TECHNICAL DATA

GLOBE VALVES F7301 - F7351 - F7346 - F7411 - F7303 - F7409 - F7348

F7413 - F7388

ANGLE VALVES F7302 - F7352 - F7347 - F7412 - F7304 - F7410 - F7349

F7414 - F7389

HOSE GLOBE VALVES F7334

HOSE ANGLE VALVES F7334A/5K - F7334A/10K

LIFT CHECK VALVES F7356

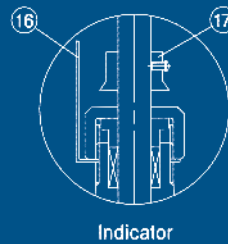
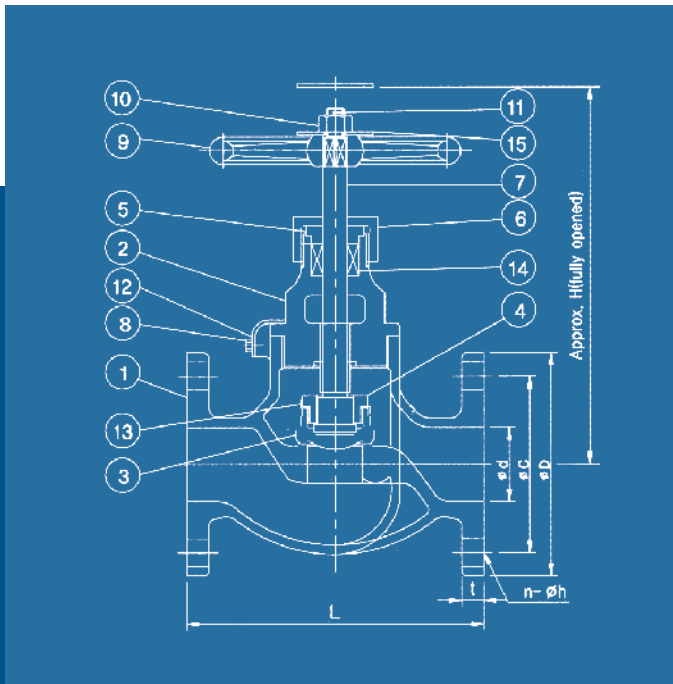
SWING CHECK VALVES F7371

COCK VALVES F7387

GATE VALVES F7367 - F7368

TECHNICAL DATA

GLOBE VALVE BRONZE - 5K



Indicator



Screw Down Non Return (SDNR)

TECHNICAL FEATURES

- | | | |
|-----------|------------------|----------------|
| 1 | body | bronze |
| 2 | bonnet | bronze / brass |
| 3 | disc | bronze / brass |
| 4 | valve disc nut | brass |
| 5 | packing gland | brass |
| 6 | gland nut | brass |
| 7 | stem | brass |
| 8 | set screw | brass |
| 9 | handwheel | cast iron |
| 10 | hexagon nut | brass |
| 11 | split pin | brass |
| 12 | lock plate | brass |
| 13 | disc lock washer | brass |
| 14 | packing | non asbestos |
| 15 | washer | steel |
| 16 | indicator plate | brass |
| 17 | indicator piece | brass |

FLUID CONDITION & MAX. WORKING PRESSURE

Rating	Fluid Condition	JIS 5K
	Steam up to 205°C	0.49(5)
	Air, Gas, Oil and Pulsation Water	0.49(5)
	Non-shock water up to 120 °C	0.69(7)

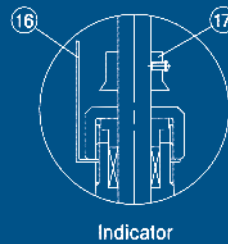
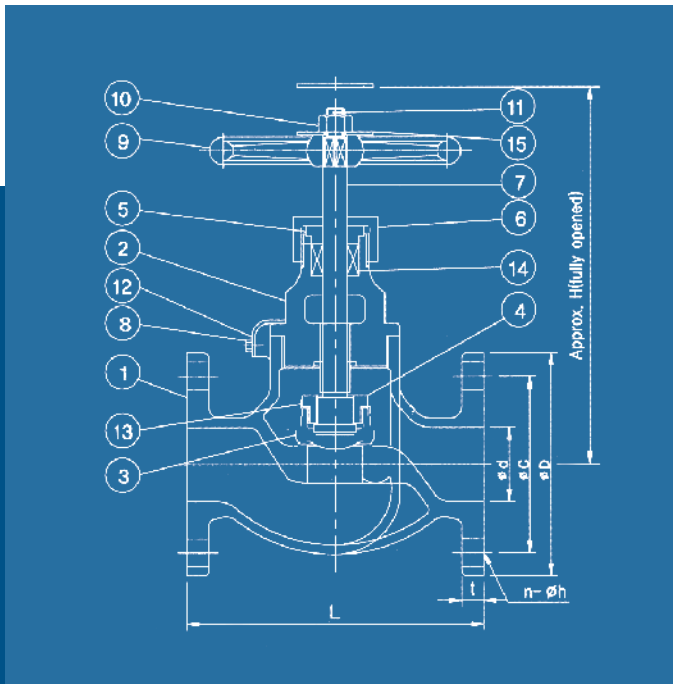
DIMENSIONS

Rating	size (mm)	Ød (mm)	ØD (mm)	ØC (mm)	N-Øh (mm)	t (mm)	L (mm)	H (mm)	Weight (kg)
JIS 5K	15A	15	80	60	4-12	9	100	130	2.02
(JIS F7301)	20A	20	85	65	4-12	10	110	140	2.86
	25A	25	95	75	4-12	10	120	160	3.54
	32A	32	115	90	4-15	12	140	170	5.00
	40A	40	120	95	4-15	12	160	190	6.48
	50A	50	130	105	4-15	14	210	235	11.70
	65A	65	155	130	4-15	14	250	260	17.00



TECHNICAL DATA

GLOBE SCREW-DOWN CHECK VALVE BRONZE - 5K



Indicator



Screw Down Non Return (SDNR)

TECHNICAL FEATURES

- | | | |
|-----------|------------------|----------------|
| 1 | body | bronze |
| 2 | bonnet | bronze / brass |
| 3 | disc | bronze / brass |
| 4 | valve disc nut | brass |
| 5 | packing gland | brass |
| 6 | gland nut | brass |
| 7 | stem | brass |
| 8 | set screw | brass |
| 9 | handwheel | cast iron |
| 10 | hexagon nut | brass |
| 11 | split pin | brass |
| 12 | lock plate | brass |
| 13 | disc lock washer | brass |
| 14 | packing | non asbestos |
| 15 | washer | steel |
| 16 | indicator plate | brass |
| 17 | indicator piece | brass |

FLUID CONDITION & MAX. WORKING PRESSURE

Rating	Fluid Condition	JIS 5K
	Steam up to 205°C	0.49(5)
	Air, Gas, Oil and Pulsation Water	0.49(5)
	Non-shock water up to 120 °C	0.69(7)

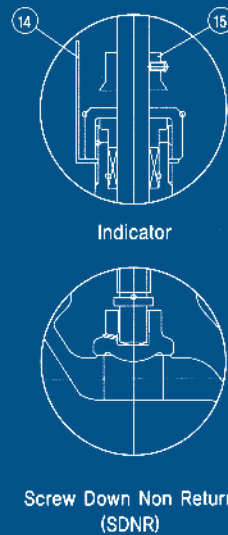
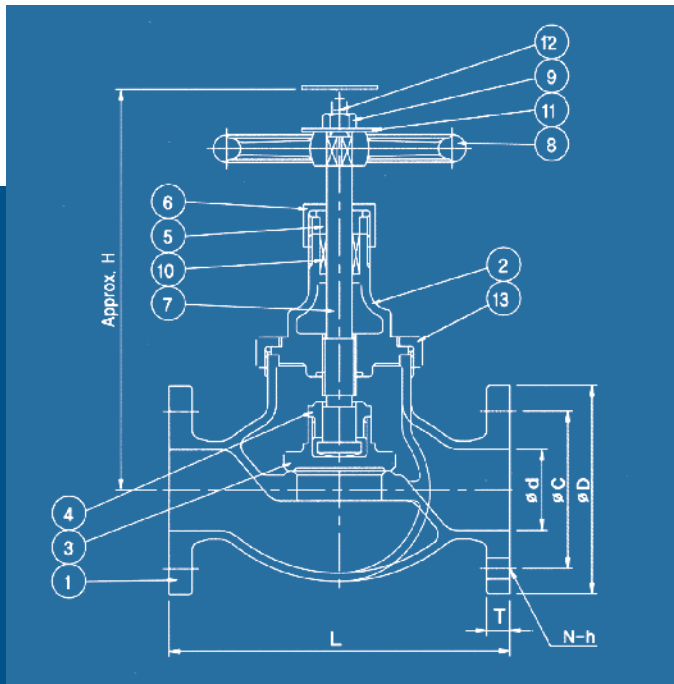
DIMENSIONS

Rating	size (mm)	Ød (mm)	ØD (mm)	ØC (mm)	N-Øh (mm)	t (mm)	L (mm)	H (mm)	Weight (kg)
JIS 5K	15A	15	80	60	4-12	9	100	130	2.02
(JIS F7351)	20A	20	85	65	4-12	10	110	140	2.86
	25A	25	95	75	4-12	10	120	160	3.54
	32A	32	115	90	4-15	12	140	170	5.00
	40A	40	120	95	4-15	12	160	190	6.48
	50A	50	130	105	4-15	14	210	235	11.70
	65A	65	155	130	4-15	14	250	260	17.00



TECHNICAL DATA

GLOBE VALVE (UNION BONNET TYPE) BRONZE - 5K



TECHNICAL FEATURES

- | | | |
|-----------|-----------------|----------------|
| 1 | body | bronze |
| 2 | bonnet | bronze / brass |
| 3 | disc | brass |
| 4 | disc nut | brass |
| 5 | packing gland | brass |
| 6 | gland nut | brass |
| 7 | stem | brass |
| 8 | handwheel | cast iron |
| 9 | handle nut | steel |
| 10 | packing | non asbestos |
| 11 | washer | steel |
| 12 | split pin | brass |
| 13 | bonnet nut | bronze |
| 14 | indicator plate | brass |
| 15 | indicator piece | brass |

FLUID CONDITION & MAX. WORKING PRESSURE

Rating	Fluid Condition	JIS 5K
	Steam up to 205°C	0.49(5)
	Air, Gas, Oil and Pulsation Water	0.49(5)
	Non-shock water up to 120 °C	0.69(7)

DIMENSIONS

Rating	size (mm)	Ød (mm)	ØD (mm)	ØC (mm)	N-Øh (mm)	t (mm)	L (mm)	H (mm)	Weight (kg)
JIS 5K	15A	15	80	60	4-12	9	100	155	2.21
(JIS F7346)	20A	20	85	65	4-12	10	110	165	3.04
	25A	25	95	75	4-12	10	120	185	3.97
	32A	32	115	90	4-15	12	140	195	5.23
	40A	40	120	95	4-15	12	160	210	6.94



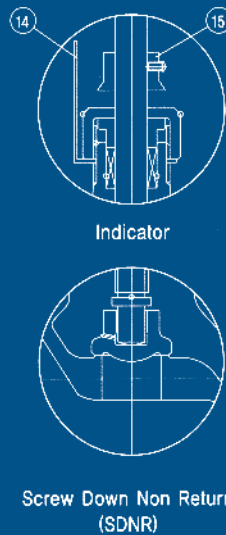
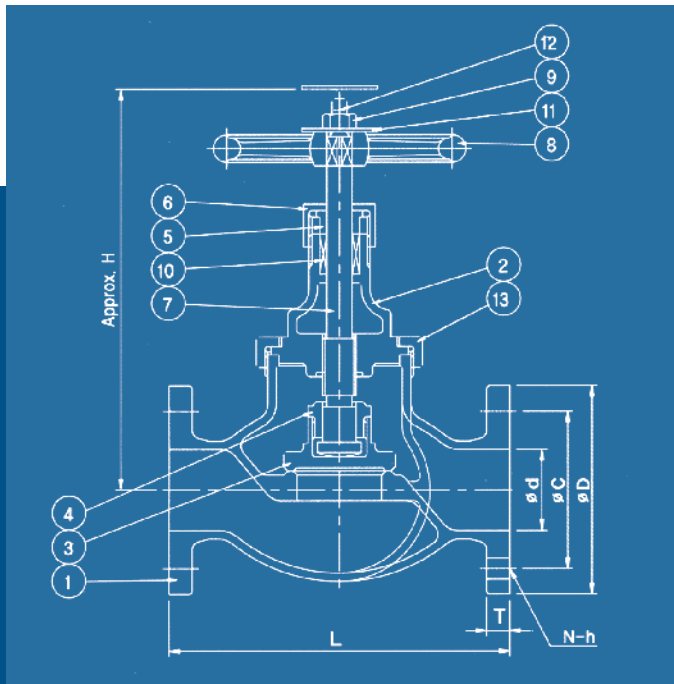
www.wosupply.com

TECHNICAL DATA

GLOBE SCREW-DOWN CHECK VALVE

(UNION BONNET TYPE)

BRONZE - 5K



TECHNICAL FEATURES

- | | | |
|-----------|-----------------|----------------|
| 1 | body | bronze |
| 2 | bonnet | bronze / brass |
| 3 | disc | brass |
| 4 | disc nut | brass |
| 5 | packing gland | brass |
| 6 | gland nut | brass |
| 7 | stem | brass |
| 8 | handwheel | cast iron |
| 9 | handle nut | steel |
| 10 | packing | non asbestos |
| 11 | washer | steel |
| 12 | split pin | brass |
| 13 | bonnet nut | bronze |
| 14 | indicator plate | brass |
| 15 | indicator piece | brass |

FLUID CONDITION & MAX. WORKING PRESSURE

Rating	Fluid Condition	JIS 5K
	Steam up to 205°C	0.49(5)
	Air, Gas, Oil and Pulsation Water	0.49(5)
	Non-shock water up to 120 °C	0.69(7)

DIMENSIONS

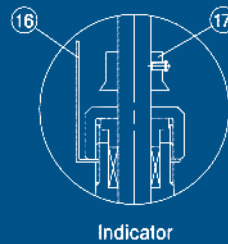
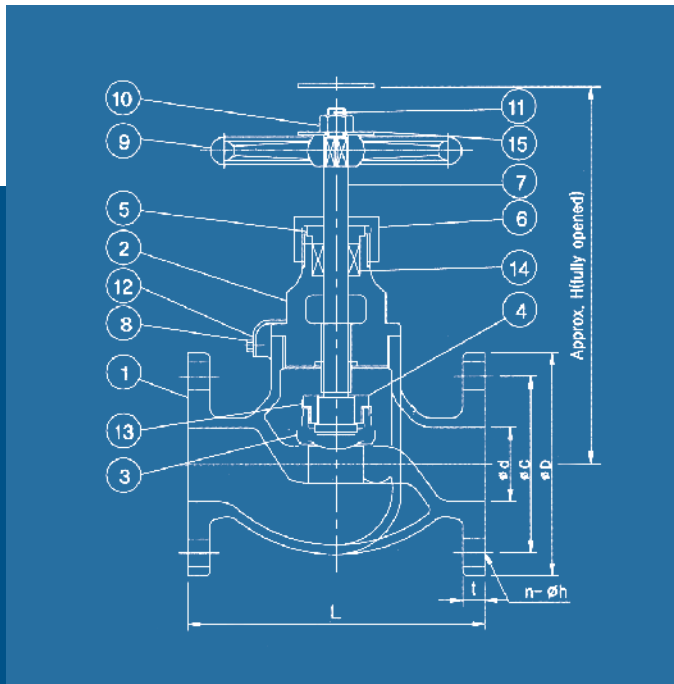
Rating	size (mm)	Ød (mm)	ØD (mm)	ØC (mm)	N-Øh (mm)	t (mm)	L (mm)	H (mm)	Weight (kg)
JIS 5K	15A	15	80	60	4-12	9	100	155	2.21
(JIS F7411)	20A	20	85	65	4-12	10	110	165	3.04
	25A	25	95	75	4-12	10	120	185	3.97
	32A	32	115	90	4-15	12	140	195	5.23
	40A	40	120	95	4-15	12	160	210	6.94



www.wosupply.com

TECHNICAL DATA

GLOBE VALVE BRONZE - 16K



Indicator



Screw Down Non Return (SDNR)

TECHNICAL FEATURES

- | | | |
|-----------|------------------|----------------|
| 1 | body | bronze |
| 2 | bonnet | bronze / brass |
| 3 | disc | bronze / brass |
| 4 | valve disc nut | brass |
| 5 | packing gland | brass |
| 6 | gland nut | brass |
| 7 | stem | brass |
| 8 | set screw | brass |
| 9 | handwheel | cast iron |
| 10 | hexagon nut | brass |
| 11 | split pin | brass |
| 12 | lock plate | brass |
| 13 | disc lock washer | brass |
| 14 | packing | non asbestos |
| 15 | washer | steel |
| 16 | indicator plate | brass |
| 17 | indicator piece | brass |

FLUID CONDITION & MAX. WORKING PRESSURE

Rating	Fluid Condition	JIS 16K
	Steam up to 205°C	1.57(16)
	Air, Gas, Oil and Pulsation Water	1.57(16)
	Non-shock water up to 120 °C	2.16(22)

DIMENSIONS

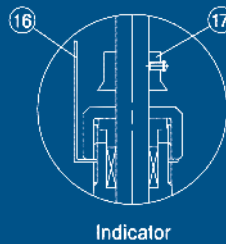
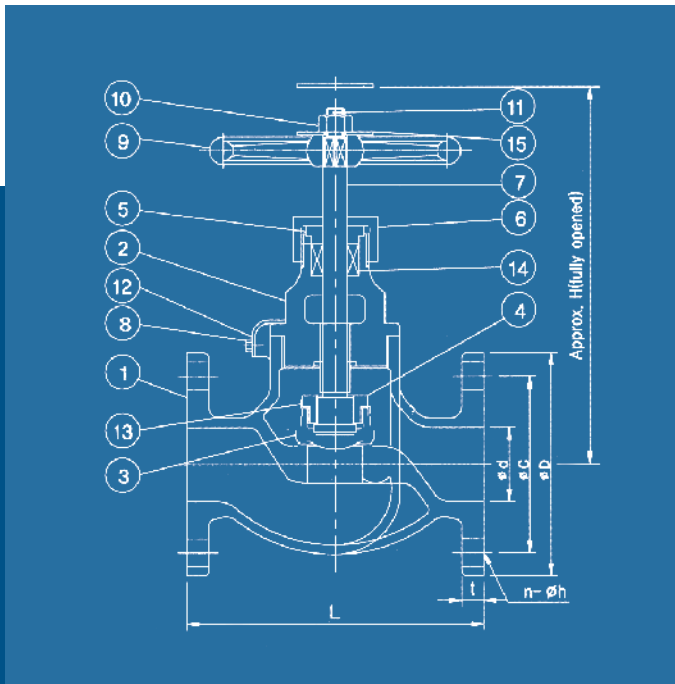
Rating	size (mm)	Ød (mm)	ØD (mm)	ØC (mm)	N-Øh (mm)	t (mm)	L (mm)	H (mm)	Weight (kg)
JIS 16K	15A	15	95	70	4-15	12	110	130	2.76
(JIS F7303)	20A	20	100	75	4-15	14	120	140	3.72
	25A	25	125	90	4-19	14	130	160	5.20
	32A	32	135	100	4-19	16	160	170	6.91
	40A	40	140	105	4-19	16	180	190	8.43



www.wosupply.com

TECHNICAL DATA

GLOBE SCREW-DOWN CHECK VALVES BRONZE - 16K



Indicator



Screw Down Non Return (SDNR)

TECHNICAL FEATURES

- | | | |
|-----------|------------------|----------------|
| 1 | body | bronze |
| 2 | bonnet | bronze / brass |
| 3 | disc | bronze / brass |
| 4 | valve disc nut | brass |
| 5 | packing gland | brass |
| 6 | gland nut | brass |
| 7 | stem | brass |
| 8 | set screw | brass |
| 9 | handwheel | cast iron |
| 10 | hexagon nut | brass |
| 11 | split pin | brass |
| 12 | lock plate | brass |
| 13 | disc lock washer | brass |
| 14 | packing | non asbestos |
| 15 | washer | steel |
| 16 | indicator plate | brass |
| 17 | indicator piece | brass |

FLUID CONDITION & MAX. WORKING PRESSURE

Rating	Fluid Condition	JIS 16K
	Steam up to 205°C	1.57(16)
	Air, Gas, Oil and Pulsation Water	1.57(16)
	Non-shock water up to 120 °C	2.16(22)

DIMENSIONS

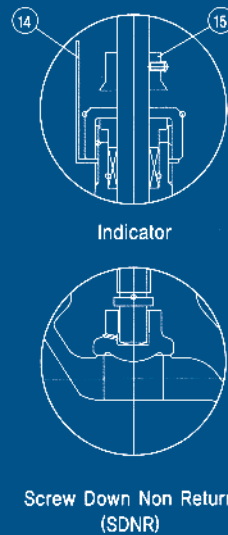
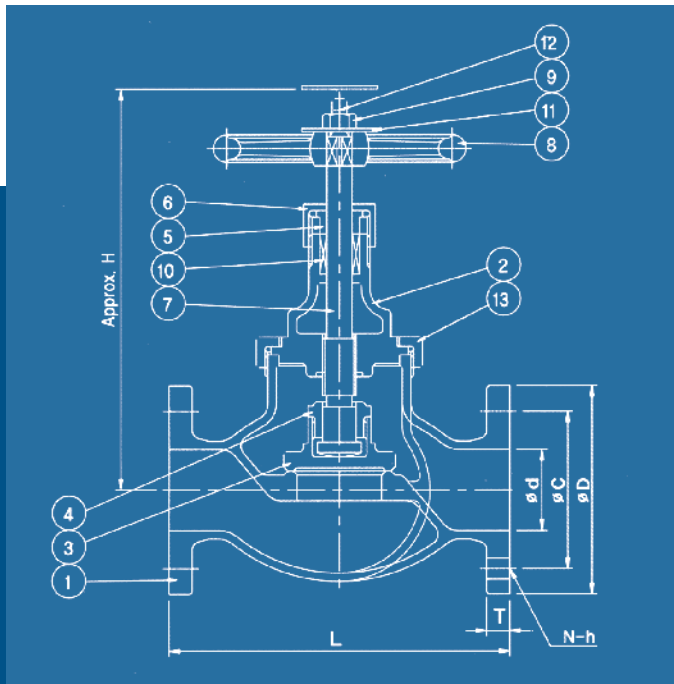
Rating	size (mm)	Ød (mm)	ØD (mm)	ØC (mm)	N-Øh (mm)	t (mm)	L (mm)	H (mm)	Weight (kg)
JIS 16K	15A	15	95	70	4-15	12	110	130	2.76
(JIS F7409)	20A	20	100	75	4-15	14	120	140	3.72
	25A	25	125	90	4-19	14	130	160	5.20
	32A	32	135	100	4-19	16	160	170	6.91
	40A	40	140	105	4-19	16	180	190	8.43



www.wosupply.com

TECHNICAL DATA

GLOBE VALVE (UNION BONNET TYPE) BRONZE - 16K



TECHNICAL FEATURES

- | | | |
|-----------|-----------------|----------------|
| 1 | body | bronze |
| 2 | bonnet | bronze / brass |
| 3 | disc | brass |
| 4 | disc nut | brass |
| 5 | packing gland | brass |
| 6 | gland nut | brass |
| 7 | stem | brass |
| 8 | handwheel | cast iron |
| 9 | handle nut | steel |
| 10 | packing | non asbestos |
| 11 | washer | steel |
| 12 | split pin | brass |
| 13 | bonnet nut | bronze |
| 14 | indicator plate | brass |
| 15 | indicator piece | brass |

FLUID CONDITION & MAX. WORKING PRESSURE

Rating	Fluid Condition	JIS 16K
	Steam up to 205°C	1.57(16)
	Air, Gas, Oil and Pulsation Water	1.57(16)
	Non-shock water up to 120 °C	2.16(22)

DIMENSIONS

Rating	size (mm)	Ød (mm)	ØD (mm)	ØC (mm)	N-Øh (mm)	t (mm)	L (mm)	H (mm)	Weight (kg)
JIS 16K	15A	15	95	70	4-15	12	110	155	2.96
(JIS F7348)	20A	20	100	75	4-15	14	120	165	3.92
	25A	25	125	90	4-19	14	130	185	5.65
	32A	32	135	100	4-19	16	160	195	7.24
	40A	40	140	105	4-19	16	180	210	9.12



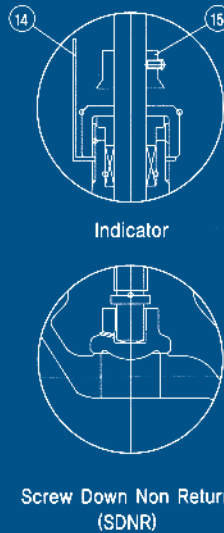
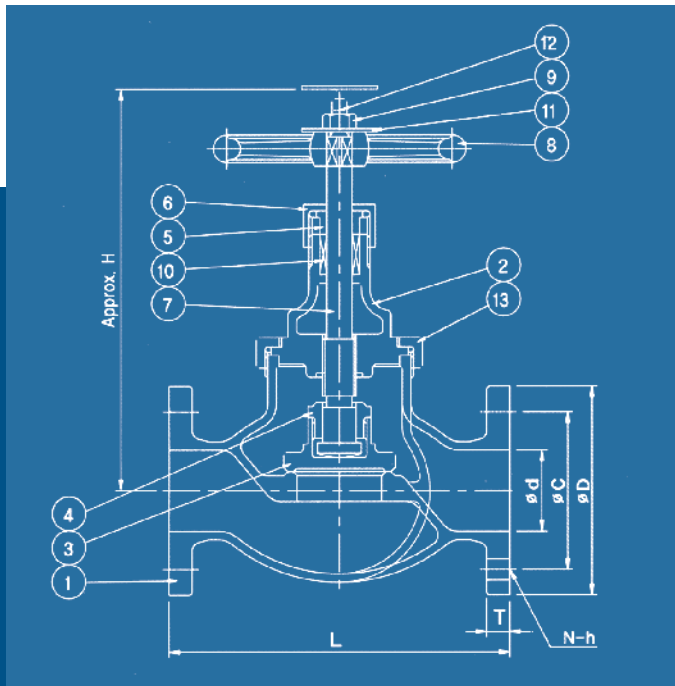
www.wosupply.com

TECHNICAL DATA

GLOBE SCREW-DOWN CHECK VALVE

(UNION BONNET TYPE)

BRONZE - 16K



TECHNICAL FEATURES

- | | | |
|-----------|-----------------|----------------|
| 1 | body | bronze |
| 2 | bonnet | bronze / brass |
| 3 | disc | brass |
| 4 | disc nut | brass |
| 5 | packing gland | brass |
| 6 | gland nut | brass |
| 7 | stem | brass |
| 8 | handwheel | cast iron |
| 9 | handle nut | steel |
| 10 | packing | non asbestos |
| 11 | washer | steel |
| 12 | split pin | brass |
| 13 | bonnet nut | bronze |
| 14 | indicator plate | brass |
| 15 | indicator piece | brass |

FLUID CONDITION & MAX. WORKING PRESSURE

Rating	Fluid Condition	JIS 16K
	Steam up to 205°C	1.57(16)
	Air, Gas, Oil and Pulsation Water	1.57(16)
	Non-shock water up to 120 °C	2.16(22)

DIMENSIONS

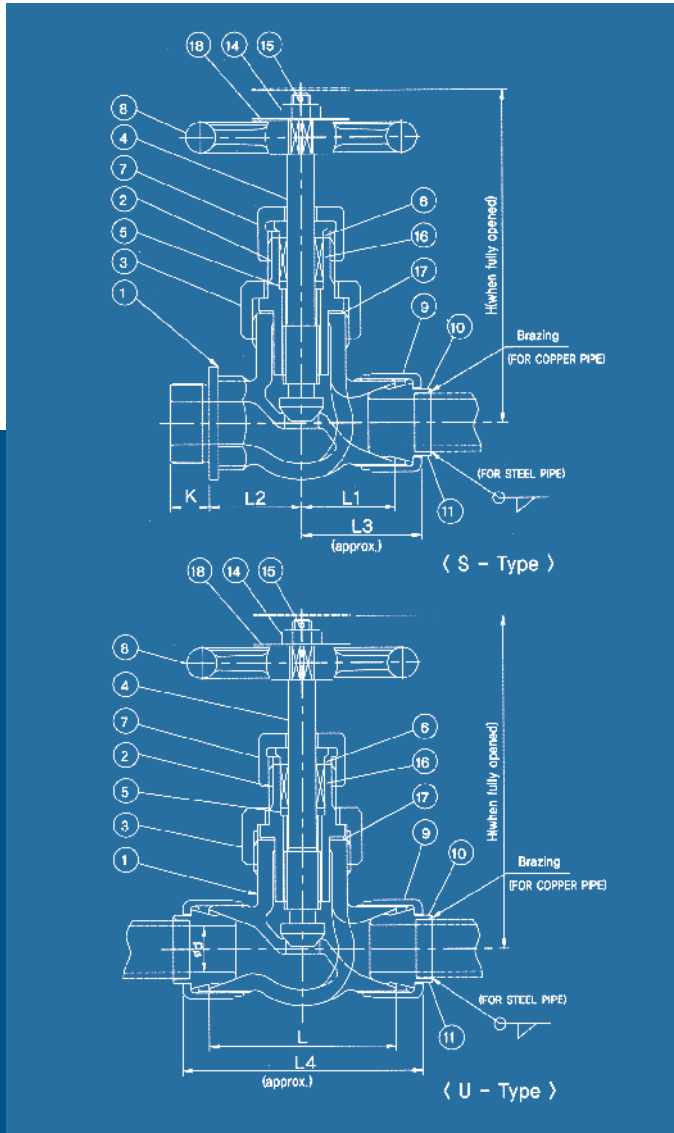
Rating	size	Ød	ØD	ØC	N-Øh	t	L	H	Weight
	(mm)	(mm)	(mm)	(mm)	(mm)	(mm)	(mm)	(mm)	(kg)
JIS 16K	15A	15	95	70	4-15	12	110	155	2.96
(JIS F7413)	20A	20	100	75	4-15	14	120	165	3.92
	25A	25	125	90	4-19	14	130	185	5.65
	32A	32	135	100	4-19	16	160	195	7.24
	40A	40	140	105	4-19	16	180	210	9.12



www.wosupply.com

TECHNICAL DATA

GLOBE VALVE BRONZE - 20K



TECHNICAL FEATURES

- | | | |
|----|-------------------|----------------|
| 1 | body | bronze |
| 2 | bonnet | bronze / brass |
| 3 | bonnet nut | bronze / brass |
| 4 | stem | brass |
| 5 | seat ring | bronze / brass |
| 6 | packing gland | bronze / brass |
| 7 | gland nut | bronze / brass |
| 8 | handwheel | cast iron |
| 9 | union nut | bronze / brass |
| 10 | nipple for copper | brass |
| 11 | nipple for steel | steel |
| 12 | union nut | brass |
| 13 | sleeve | brass |
| 14 | hexagon nut | brass |
| 15 | split pin | brass |
| 16 | packing | non asbestos |
| 17 | gasket | non asbestos |
| 18 | washer | steel |

For bite type union

FLUID CONDITION & MAX. WORKING PRESSURE

Rating	Fluid Condition	JIS 20K
	Air, Oil, Gas and Pulsation Water	1.96(20)
	Steam up to 205°C or less	1.57(16)
	Non-shock water up to 120 °C	2.75(28)

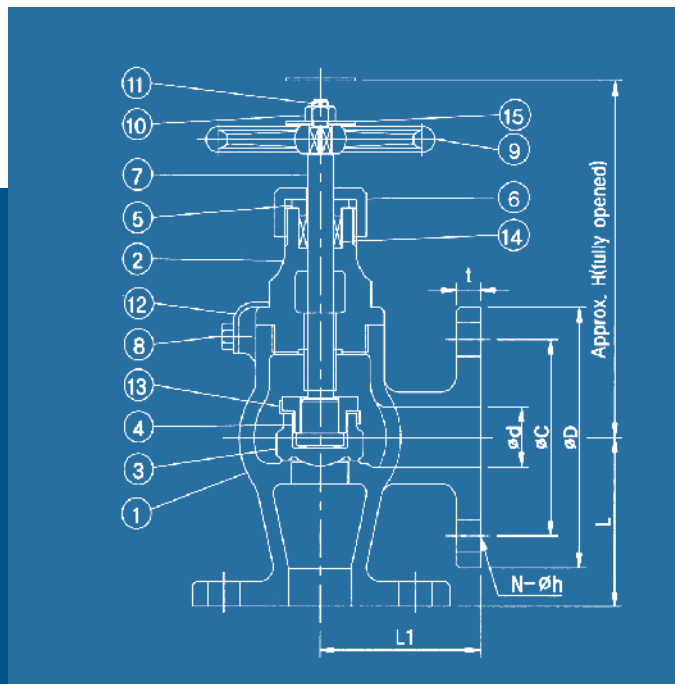
DIMENSIONS

Rating	size (mm)	Copper pipe	Steel pipe	L (mm)	L1 (mm)	L2 (mm)	L3 (mm)	L4 (mm)	H (mm)	Weight (kg)
JIS 20K	6A	8	10.5	64	32	32	41	82	100	0.85
(JIS F7388)	6A	10	10.5	64	32	32	41	82	100	0.85
	10A	15	17.3	72	36	35	48	96	115	1.37



TECHNICAL DATA

ANGLE VALVE BRONZE - 5K

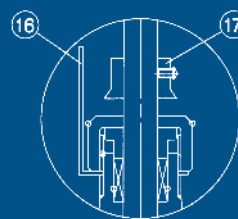


FLUID CONDITION & MAX. WORKING PRESSURE

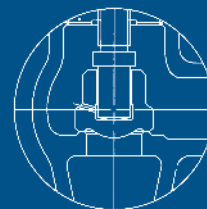
Rating	Fluid Condition	JIS 5K
	Steam up to 205°C	0.49(5)
	Air, Gas, Oil and Pulsation Water	0.49(5)
	Non-shock water up to 120 °C	0.69(7)

DIMENSIONS

Rating	size (mm)	Ød (mm)	ØD (mm)	ØC (mm)	N-Øh (mm)	t (mm)	L1 (mm)	H (mm)	Weight (kg)
JIS 5K	15A	15	80	60	4-12	9	55	120	1.98
(JIS F7302)	20A	20	85	65	4-12	10	60	130	2.73
	25A	25	95	75	4-12	10	65	145	3.44
	32A	32	115	90	4-15	12	80	150	4.77
	40A	40	120	95	4-15	12	85	165	5.99
	50A	50	130	105	4-15	14	100	200	10.10
	65A	65	155	130	4-15	14	115	220	15.60



Indicator



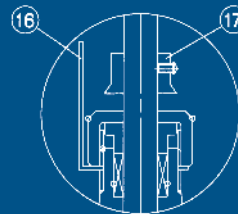
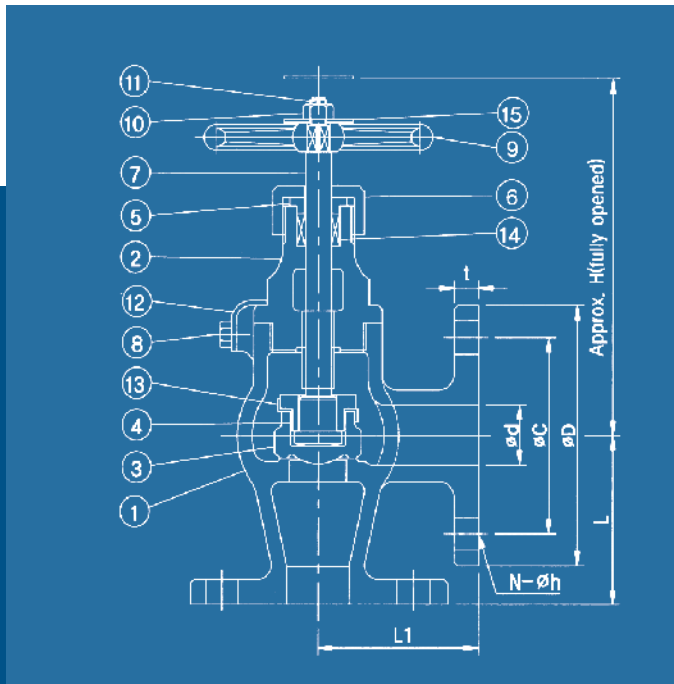
Screw Down Non Return (SDNR)

TECHNICAL FEATURES

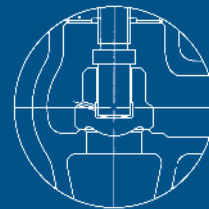
1	body	bronze
2	bonnet	bronze / brass
3	disc	bronze / brass
4	valve disc nut	brass
5	packing gland	brass
6	gland nut	brass
7	stem	brass
8	set screw	brass
9	handwheel	cast iron
10	hexagon nut	brass
11	split pin	brass
12	lock plate	brass
13	disc lock washer	brass
14	packing	non asbestos
15	washer	steel
16	indicator plate	brass
17	indicator piece	brass

TECHNICAL DATA

ANGLE SCREW-DOWN CHECK VALVE BRONZE - 5K



Indicator



Screw Down Non Return (SDNR)

TECHNICAL FEATURES

- | | | |
|-----------|------------------|----------------|
| 1 | body | bronze |
| 2 | bonnet | bronze / brass |
| 3 | disc | bronze / brass |
| 4 | valve disc nut | brass |
| 5 | packing gland | brass |
| 6 | gland nut | brass |
| 7 | stem | brass |
| 8 | set screw | brass |
| 9 | handwheel | cast iron |
| 10 | hexagon nut | brass |
| 11 | split pin | brass |
| 12 | lock plate | brass |
| 13 | disc lock washer | brass |
| 14 | packing | non asbestos |
| 15 | washer | steel |
| 16 | indicator plate | brass |
| 17 | indicator piece | brass |

FLUID CONDITION & MAX. WORKING PRESSURE

Rating	Fluid Condition	JIS 5K
	Steam up to 205°C	0.49(5)
	Air, Gas, Oil and Pulsation Water	0.49(5)
	Non-shock water up to 120 °C	0.69(7)

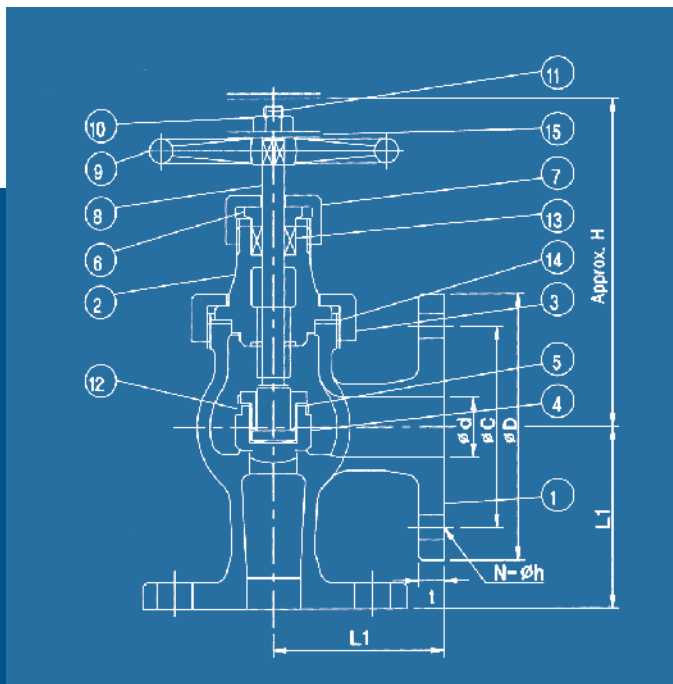
DIMENSIONS

Rating	size (mm)	Ød (mm)	ØD (mm)	ØC (mm)	N-Øh (mm)	t (mm)	L1 (mm)	H (mm)	Weight (kg)
JIS 5K	15A	15	80	60	4-12	9	55	120	1.98
(JIS F7352)	20A	20	85	65	4-12	10	60	130	2.73
	25A	25	95	75	4-12	10	65	145	3.44
	32A	32	115	90	4-15	12	80	150	4.77
	40A	40	120	95	4-15	12	85	165	5.99
	50A	50	130	105	4-15	14	100	200	10.10
	65A	65	155	130	4-15	14	115	220	15.60



TECHNICAL DATA

ANGLE VALVE (UNION BONNET TYPE) BRONZE - 5K

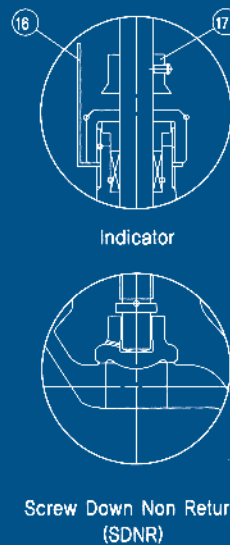


FLUID CONDITION & MAX. WORKING PRESSURE

Rating	Fluid Condition	JIS 5K
	Steam up to 205°C	0.49(5)
	Air, Gas, Oil and Pulsation Water	0.49(5)
	Non-shock water up to 120 °C	0.69(7)

DIMENSIONS

Rating	size (mm)	Ød (mm)	ØD (mm)	ØC (mm)	N-Øh (mm)	t (mm)	L1 (mm)	H (mm)	Weight (kg)
JIS 5K	15A	15	80	60	4-12	9	55	145	2.15
(JIS F7347)	20A	20	85	65	4-12	10	60	155	2.94
	25A	25	95	75	4-12	10	65	175	3.82
	32A	32	115	90	4-15	12	80	175	4.99
	40A	40	120	95	4-15	12	85	190	6.40



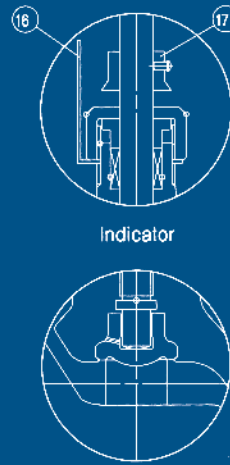
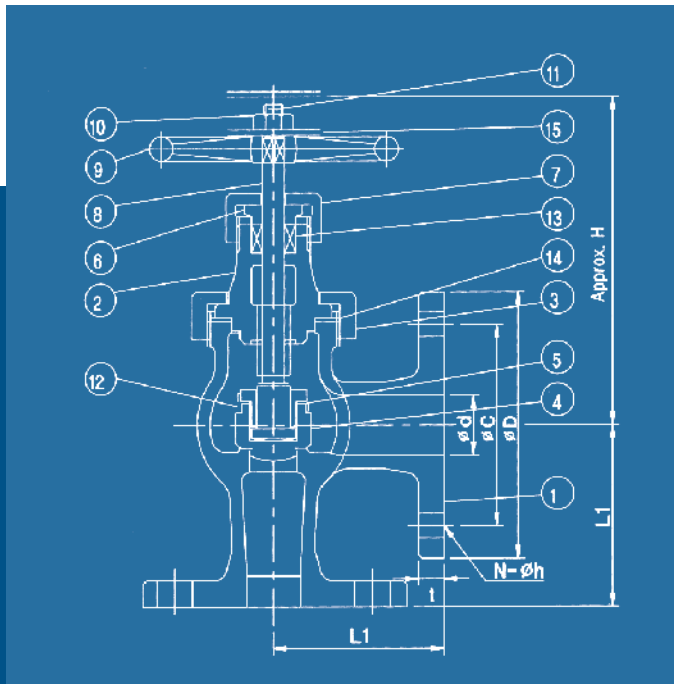
TECHNICAL FEATURES

1	body	bronze
2	bonnet	bronze / brass
3	bonnet nut	bronze
4	disc	brass
5	disc nut	brass
6	packing gland	brass
7	gland nut	brass
8	stem	brass
9	handwheel	cast iron
10	hexagon nut	steel
11	split pin	brass
12	disc lock washer	brass
13	packing	non asbestos
14	gasket	non asbestos
15	washer	steel
16	indicator plate	brass
17	indicator piece	brass

TECHNICAL DATA

ANGLE SCREW-DOWN CHECK VALVE (UNION BONNET TYPE)

BRONZE - 5K



TECHNICAL FEATURES

- | | | |
|-----------|------------------|----------------|
| 1 | body | bronze |
| 2 | bonnet | bronze / brass |
| 3 | bonnet nut | bronze |
| 4 | disc | brass |
| 5 | disc nut | brass |
| 6 | packing gland | brass |
| 7 | gland nut | brass |
| 8 | stem | brass |
| 9 | handwheel | cast iron |
| 10 | hexagon nut | steel |
| 11 | split pin | brass |
| 12 | disc lock washer | brass |
| 13 | packing | non asbestos |
| 14 | gasket | non asbestos |
| 15 | washer | steel |
| 16 | indicator plate | brass |
| 17 | indicator piece | brass |

FLUID CONDITION & MAX. WORKING PRESSURE

Rating	Fluid Condition	JIS 5K
	Steam up to 205°C	0.49(5)
	Air, Gas, Oil and Pulsation Water	0.49(5)
	Non-shock water up to 120 °C	0.69(7)

DIMENSIONS

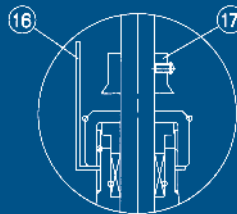
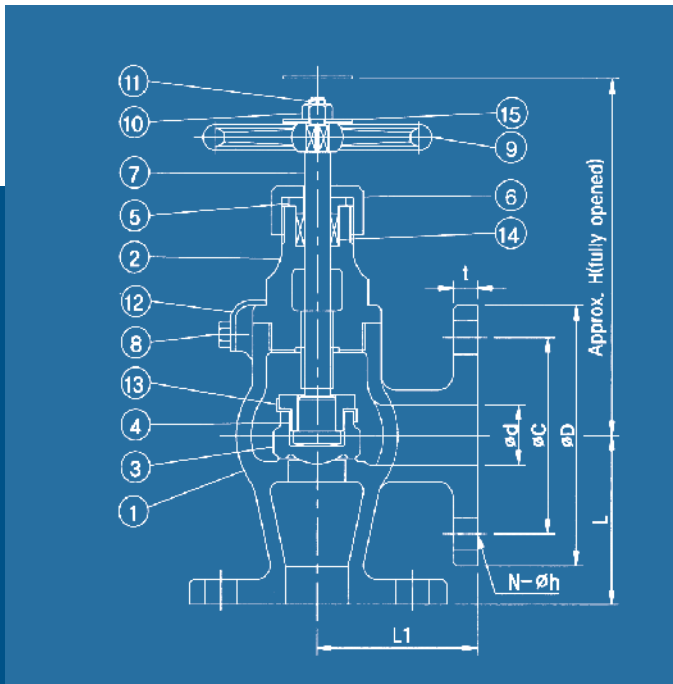
Rating	size (mm)	Ød (mm)	ØD (mm)	ØC (mm)	N-Øh (mm)	t (mm)	L1 (mm)	H (mm)	Weight (kg)
JIS 5K	15A	15	80	60	4-12	9	55	145	2.15
(JIS F7412)	20A	20	85	65	4-12	10	60	155	2.94
	25A	25	95	75	4-12	10	65	175	3.82
	32A	32	115	90	4-15	12	80	175	4.99
	40A	40	120	95	4-15	12	85	190	6.40



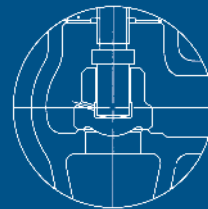
www.wosupply.com

TECHNICAL DATA

ANGLE VALVE BRONZE - 16K



Indicator



Screw Down Non Return (SDNR)

TECHNICAL FEATURES

- | | | |
|-----------|------------------|----------------|
| 1 | body | bronze |
| 2 | bonnet | bronze / brass |
| 3 | disc | bronze / brass |
| 4 | valve disc nut | brass |
| 5 | packing gland | brass |
| 6 | gland nut | brass |
| 7 | stem | brass |
| 8 | set screw | brass |
| 9 | handwheel | cast iron |
| 10 | hexagon nut | brass |
| 11 | split pin | brass |
| 12 | lock plate | brass |
| 13 | disc lock washer | brass |
| 14 | packing | non asbestos |
| 15 | washer | steel |
| 16 | indicator plate | brass |
| 17 | indicator piece | brass |

FLUID CONDITION & MAX. WORKING PRESSURE

Rating	Fluid Condition	JIS 16K
	Steam up to 205°C	1.57(16)
	Air, Gas, Oil and Pulsation Water	1.57(16)
	Non-shock water up to 120 °C	2.16(22)

DIMENSIONS

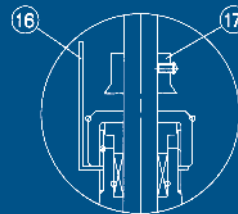
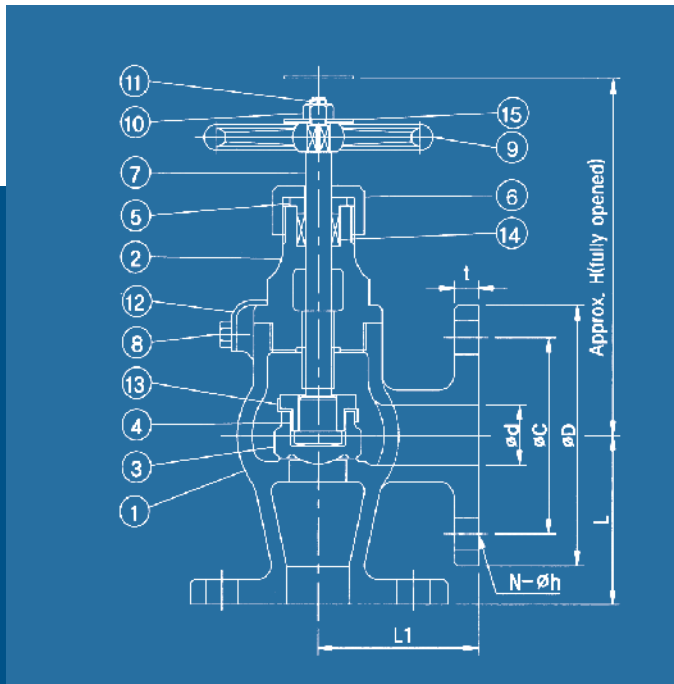
Rating	size (mm)	Ød (mm)	ØD (mm)	ØC (mm)	N-Øh (mm)	t (mm)	L1 (mm)	H (mm)	Weight (kg)
JIS 16K	15A	15	95	70	4-15	12	70	120	2.73
(JIS F7304)	20A	20	100	75	4-15	14	75	130	3.65
	25A	25	125	90	4-19	14	85	145	5.16
	32A	32	135	100	4-19	16	95	150	6.72
	40A	40	140	105	4-19	16	100	165	8.13



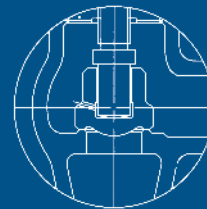
www.wosupply.com

TECHNICAL DATA

ANGLE SCREW-DOWN CHECK VALVE BRONZE - 16K



Indicator



Screw Down Non Return (SDNR)

TECHNICAL FEATURES

- | | | |
|----|------------------|----------------|
| 1 | body | bronze |
| 2 | bonnet | bronze / brass |
| 3 | disc | bronze / brass |
| 4 | valve disc nut | brass |
| 5 | packing gland | brass |
| 6 | gland nut | brass |
| 7 | stem | brass |
| 8 | set screw | brass |
| 9 | handwheel | cast iron |
| 10 | hexagon nut | brass |
| 11 | split pin | brass |
| 12 | lock plate | brass |
| 13 | disc lock washer | brass |
| 14 | packing | non asbestos |
| 15 | washer | steel |
| 16 | indicator plate | brass |
| 17 | indicator piece | brass |

FLUID CONDITION & MAX. WORKING PRESSURE

Rating	Fluid Condition	JIS 16K
	Steam up to 205°C	1.57(16)
	Air, Gas, Oil and Pulsation Water	1.57(16)
	Non-shock water up to 120 °C	2.16(22)

DIMENSIONS

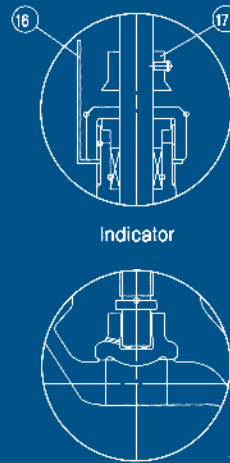
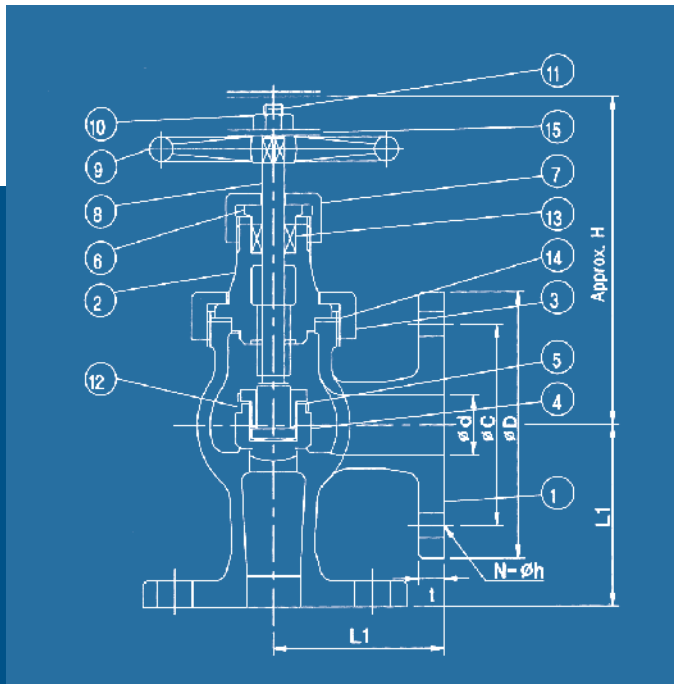
Rating	size (mm)	Ød (mm)	ØD (mm)	ØC (mm)	N-Øh (mm)	t (mm)	L1 (mm)	H (mm)	Weight (kg)
JIS 16K	15A	15	95	70	4-15	12	70	120	2.73
(JIS F7410)	20A	20	100	75	4-15	14	75	130	3.65
	25A	25	125	90	4-19	14	85	145	5.16
	32A	32	135	100	4-19	16	95	150	6.72
	40A	40	140	105	4-19	16	100	165	8.13



www.wosupply.com

TECHNICAL DATA

ANGLE VALVE (UNION BONNET TYPE) BRONZE - 16K



TECHNICAL FEATURES

1	body	bronze
2	bonnet	bronze / brass
3	bonnet nut	bronze
4	disc	brass
5	disc nut	brass
6	packing gland	brass
7	gland nut	brass
8	stem	brass
9	handwheel	cast iron
10	hexagon nut	steel
11	split pin	brass
12	disc lock washer	brass
13	packing	non asbestos
14	gasket	non asbestos
15	washer	steel
16	indicator plate	brass
17	indicator piece	brass

FLUID CONDITION & MAX. WORKING PRESSURE

Rating	Fluid Condition	JIS 16K
	Steam up to 205°C	1.57(16)
	Air, Gas, Oil and Pulsation Water	1.57(16)
	Non-shock water up to 120 °C	2.16(22)

DIMENSIONS

Rating	size (mm)	Ød (mm)	ØD (mm)	ØC (mm)	N-Øh (mm)	t (mm)	L1 (mm)	H (mm)	Weight (kg)
JIS 16K	15A	15	95	70	4-15	12	70	145	2.94
(JIS F7349)	20A	20	100	75	4-15	14	75	155	3.88
	25A	25	125	90	4-19	14	85	175	5.53
	32A	32	135	100	4-19	16	95	175	6.98
	40A	40	140	105	4-19	16	100	190	8.57

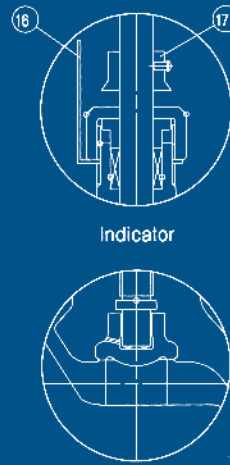
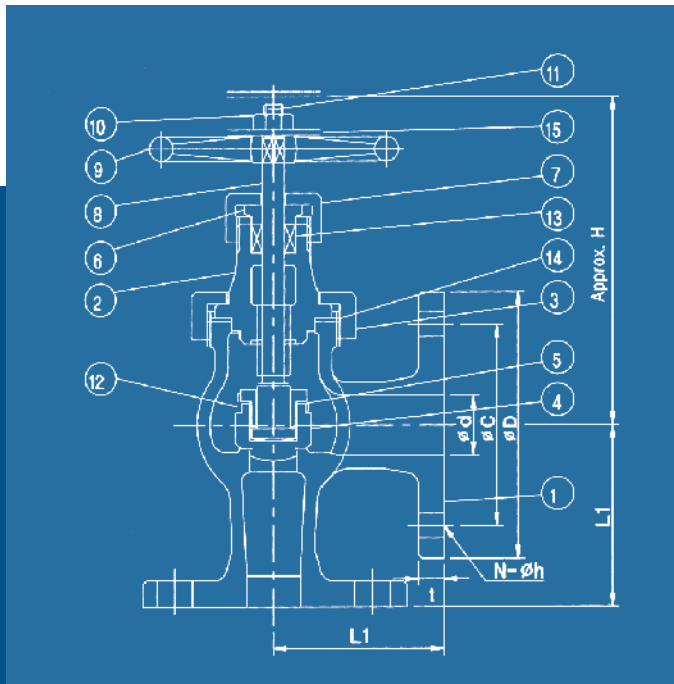


www.wosupply.com

TECHNICAL DATA

ANGLE SCREW-DOWN CHECK VALVE (UNION BONNET TYPE)

BRONZE - 16K



TECHNICAL FEATURES

- | | | |
|-----------|------------------|----------------|
| 1 | body | bronze |
| 2 | bonnet | bronze / brass |
| 3 | bonnet nut | bronze |
| 4 | disc | brass |
| 5 | disc nut | brass |
| 6 | packing gland | brass |
| 7 | gland nut | brass |
| 8 | stem | brass |
| 9 | handwheel | cast iron |
| 10 | hexagon nut | steel |
| 11 | split pin | brass |
| 12 | disc lock washer | brass |
| 13 | packing | non asbestos |
| 14 | gasket | non asbestos |
| 15 | washer | steel |
| 16 | indicator plate | brass |
| 17 | indicator piece | brass |

FLUID CONDITION & MAX. WORKING PRESSURE

Rating	Fluid Condition	JIS 16K
	Steam up to 205°C	1.57(16)
	Air, Gas, Oil and Pulsation Water	1.57(16)
	Non-shock water up to 120 °C	2.16(22)

DIMENSIONS

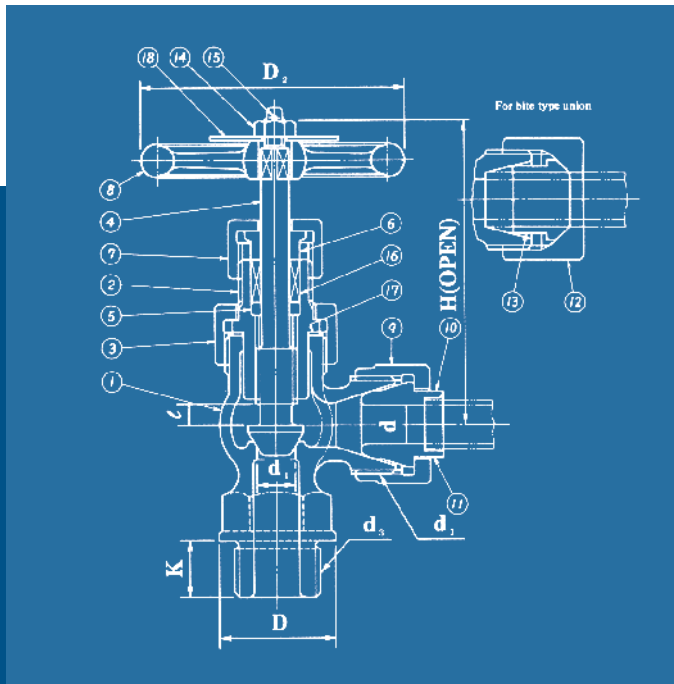
Rating	size (mm)	Ød (mm)	ØD (mm)	ØC (mm)	N-Øh (mm)	t (mm)	L1 (mm)	H (mm)	Weight (kg)
JIS 16K	15A	15	95	70	4-15	12	70	145	2.94
(JIS F7414)	20A	20	100	75	4-15	14	75	155	3.88
	25A	25	125	90	4-19	14	85	175	5.53
	32A	32	135	100	4-19	16	95	175	6.98
	40A	40	140	105	4-19	16	100	190	8.57



www.wosupply.com

TECHNICAL DATA

ANGLE VALVE BRONZE - 20K



TECHNICAL FEATURES

1	body	bronze
2	bonnet	bronze / brass
3	bonnet nut	bronze / brass
4	stem	brass
5	seat ring	bronze
6	packing gland	brass
7	gland nut	brass
8	hand wheel	cast iron
9	union nut	brass
10	nipple for copper pipe	brass
11	nipple for steel pipe	steel
12	union nut	brass / bronze
13	sleeve	brass
14	hexagon nut	brass
15	split pin	brass
16	packing	teflon
17	name plate	brass

FLUID CONDITION & MAX. WORKING PRESSURE

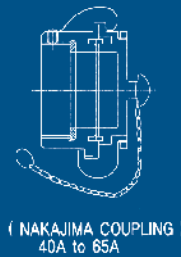
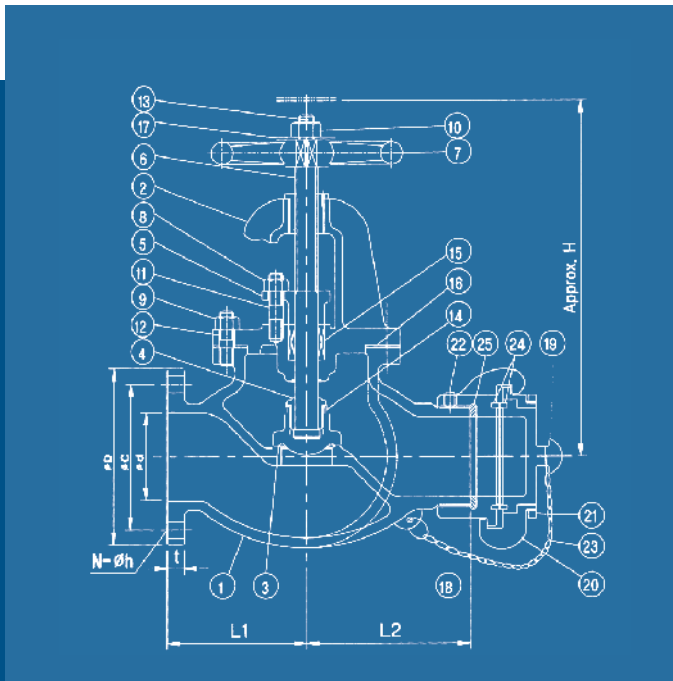
Rating Fluid Condition	JIS 20K
Working pressure	1.96(20.0)
hydrostatic Press Test (shell)	4.12(42.0)
hydrostatic Press Test (seat)	3.02(30.8)

DIMENSIONS

Nominal dia.	Pipe Out Dia. copper	steel	d (mm)	d1 (mm)	Threads d3	K (mm)	D (mm)	Height approx. fully open	Life l	Handweel D2	Threads d1
6	8	10.5	6	8	M20x1.5	12	28	100	5.5	63	M27x2.0
6	10	10.5	6	8	M20x1.5	12	28	100	5.5	63	M27x2.0
10	15	17.3	10	40	M24x2.0	16	34	115	7.5	80	M30x2.0

TECHNICAL DATA

HOSE GLOBE VALVE BRONZE - 5K/10K/16K



TECHNICAL FEATURES

- | | | |
|----|------------------|----------------|
| 1 | body | bronze |
| 2 | bonnet | bronze |
| 3 | disc | bronze |
| 4 | disc nut | brass |
| 5 | packing gland | brass |
| 6 | stem | brass |
| 7 | handwheel | cast iron |
| 8 | hexagon nut | brass / ss |
| 9 | hexagon nut | brass / ss |
| 10 | hexagon nut | brass / ss |
| 11 | stud bolt | brass |
| 12 | stud bolt | brass |
| 13 | split pin | brass |
| 14 | disc lock washer | brass |
| 15 | packing | non asbestos |
| 16 | gasket | non asbestos |
| 17 | washer | steel |
| 18 | base connection | bronze |
| 19 | cap | bronze |
| 20 | coupling ring | bronze |
| 21 | set ring | bronze |
| 22 | set screw | brass |
| 23 | chain | stainless wire |
| 24 | gasket | rubber |
| 25 | gasket | non asbestos |

FLUID CONDITION & MAX. WORKING PRESSURE

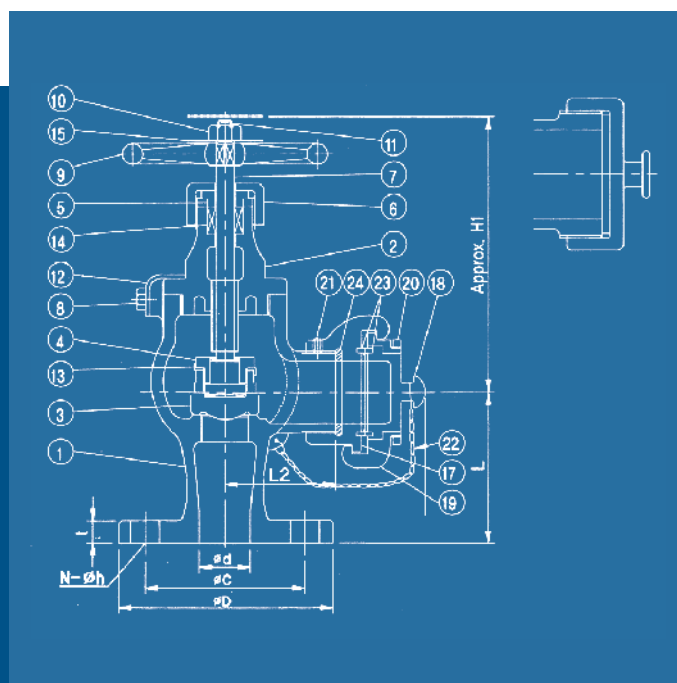
Rating Fluid Condition	JIS 5K	JIS 10K/16K
steam up to 205 °C	-	-
air, gas, oil and pulsation water	0.49(5)	0.98(10)
non-shock water up to 120 °C	0.69(7)	1.37(14)

DIMENSIONS

Rating	size (mm)	Ød (mm)	ØD (mm)	ØC (mm)	N-Øh (mm)	t (mm)	L1 (mm)	L (mm)	L (mm)	H (mm)	Weight (kg)	Weight (kg)
JIS 5K	50A	50	130	105	4-15	14	105	100	255	225	12.9	11.0
(JIS F7334)	65A	65	155	130	4-15	18	135	130	295	255	27.8	23.0
JIS 10K	50A	50	155	120	4-19	16	110	120	270	240	15.4	14.3
(JIS F7334)	65A	65	175	140	4-19	18	135	130	295	255	27.8	23.0
JIS 16K	50A	50	155	120	8-19	16	110	120	270	240	15.4	14.3
(JIS F7334)	65A	65	175	140	8-19	18	135	130	295	255	27.8	23.0

TECHNICAL DATA

HOSE ANGLE VALVE BRONZE - 5K



FLUID CONDITION & MAX. WORKING PRESSURE

Rating	Fluid Condition	JIS 5K
	steam up to 205 °C	-
	air, gas, oil and pulsation water	0.49(5)
	non-shock water up to 120 °C	0.69(7)

DIMENSIONS

Rating	size (mm)	Ød (mm)	ØD (mm)	ØC (mm)	N-Øh (mm)	t (mm)	L1 (mm)	L (mm)	L (mm)	H (mm)	Weight (kg)	Weight (kg)
JIS 5K	15A	15	80	60	4-12	9	73.0	55	130	120	2.51	2.41
(JIS F7334)	20A	20	85	65	4-12	10	78.0	65	160	145	3.55	3.4
	25A	25	95	75	4-12	10	78.0	65	160	145	3.55	3.44
	32A	32	115	90	4-15	12	128.5	85	190	165	6.26	5.91
	40A	40	120	95	4-15	12	128.5	85	190	165	6.26	5.91

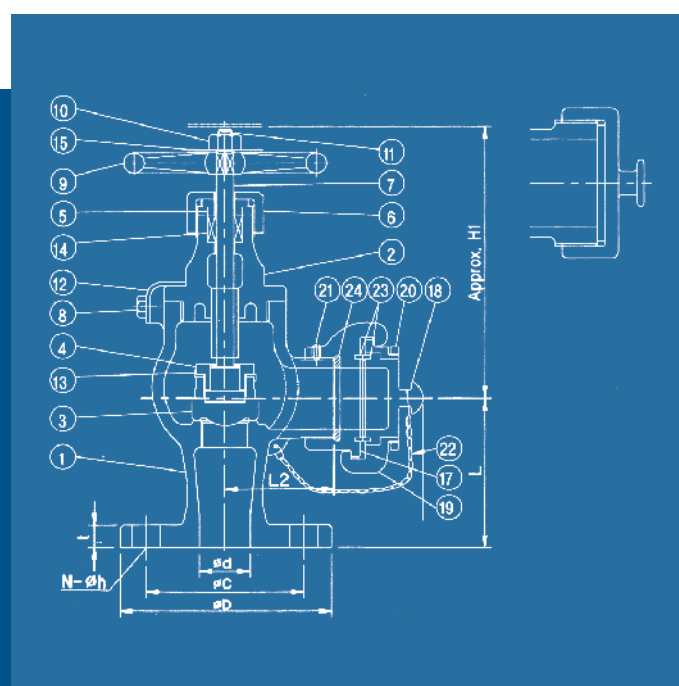
TECHNICAL FEATURES

1	body	bronze
2	bonnet	bronze / brass
3	disc	bronze / brass
4	disc nut	brass
5	packing gland	brass
6	gland nut	brass
7	stem	brass
8	machine screw	brass
9	handwheel	cast iron
10	hexagon nut	brass
11	split pin	brass
12	bonnet lock	plate brass
13	disc lock washer	brass
14	packing washer	non asbestos
15	washer	steel
17	base connection	bronze
18	cap	bronze
19	coupling ring	bronze
20	set ring	bronze
21	set screw	steel
22	chain	stainless wire
23	gasket	rubber
24	gasket	non asbestos

(NAKAJIMA COUPLING)
40A to 65A

TECHNICAL DATA

HOSE ANGLE VALVE BRONZE - 10K



FLUID CONDITION & MAX. WORKING PRESSURE

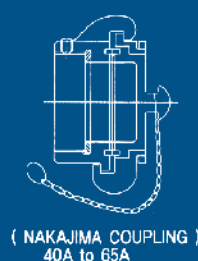
Rating	Fluid Condition	JIS 10K
	steam up to 205 °C	-
	air, gas, oil and pulsation water	0.98(10)
	non-shock water up to 120 °C	1.37(14)

DIMENSIONS

Rating	size	Ød	ØD	ØC	N-Øh	t	L1	L	L	H	Weight	Weight
	(mm)	(mm)	(mm)	(mm)	(mm)	(mm)	(mm)	(mm)	(mm)	(mm)	(kg)	(kg)
JIS 10K	15A	15	95	70	4-15	12	73.0	70	130	120	2.76	2.72
(JIS F7334)	20A	20	100	75	4-15	14	83.0	85	160	145	4.15	4.04
	25A	25	125	90	4-19	14	83.0	85	160	145	4.15	4.0
	32A	32	135	100	4-19	16	140.0	100	190	165	8.43	8.19
	40A	40	140	105	4-19	16	140.0	100	190	165	8.43	8.19

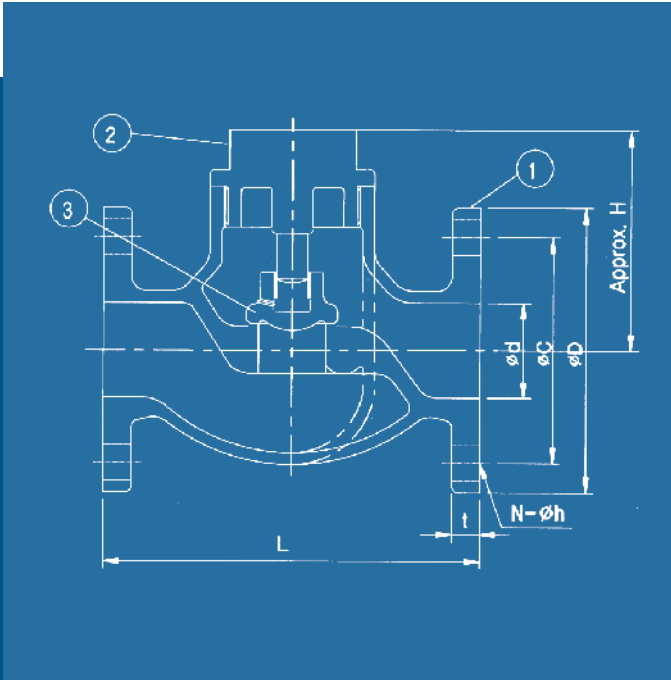
TECHNICAL FEATURES

1	body	bronze
2	bonnet	bronze / brass
3	disc	bronze / brass
4	disc nut	brass
5	packing gland	brass
6	gland nut	brass
7	stem	brass
8	machine screw	brass
9	handwheel	cast iron
10	hexagon nut	brass
11	split pin	brass
12	bonnet lock	plate brass
13	disc lock washer	brass
14	packing	non asbestos
15	washer	steel
17	base connection	bronze
18	cap	bronze
19	coupling ring	bronze
20	set ring	bronze
21	set screw	steel
22	chain	stainless wire
23	gasket	rubber
24	gasket	non asbestos



TECHNICAL DATA

LIFT CHECK GLOBE VALVE BRONZE - 5K



TECHNICAL FEATURES

1	body	bronze
2	bonnet	bronze
3	disc	bronze
4	hinge pin	brass
5	plug	brass/stainless steel

FLUID CONDITION & MAX. WORKING PRESSURE

Rating	JIS 5K
Oil and Pulsation water	0.49(5)
Non-shock water up to 120 °C	0.69(7)

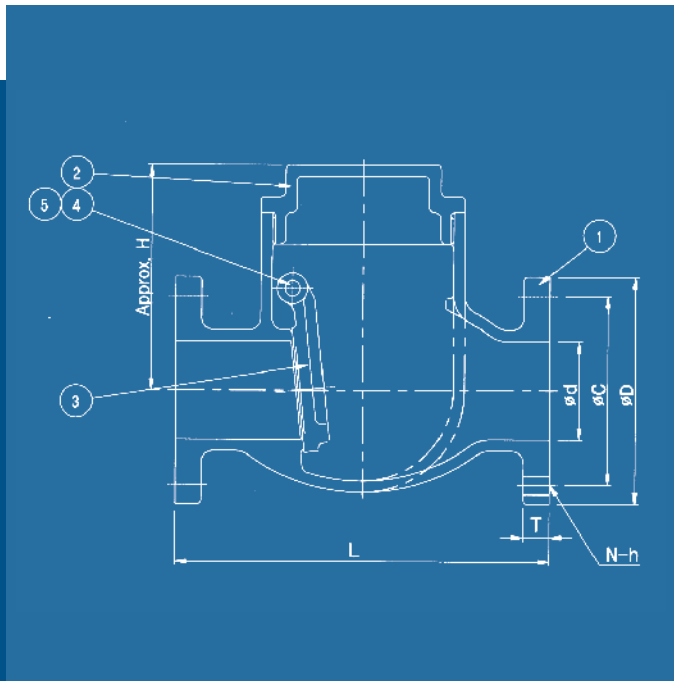
DIMENSIONS

Rating	size (mm)	Ød (mm)	ØD (mm)	ØC (mm)	N-Øh (mm)	t (mm)	L (mm)	H (mm)	Weight (kg)
JIS 5K	15A	25	80	60	4-12	10	120	77	2.39
(JIS F7356)	20A	25	85	65	4-12	10	120	77	2.39
	25A	25	95	75	4-12	10	120	77	2.39
	32A	32	115	90	4-15	12	140	81	3.80
	40A	40	120	95	4-15	12	160	91	4.95



TECHNICAL DATA

SWING CHECK VALVE BRONZE - 5K



TECHNICAL FEATURES

1	body	bronze
2	bonnet	bronze
3	disc	bronze
4	hinge pin	brass
5	plug	brass / stainless steel

FLUID CONDITION & MAX. WORKING PRESSURE

Rating	Fluid Condition	JIS 5K/10K
	Oil and Pulsation water	0.49(5)
	Non-shock water up to 120 °C	0.69(7)

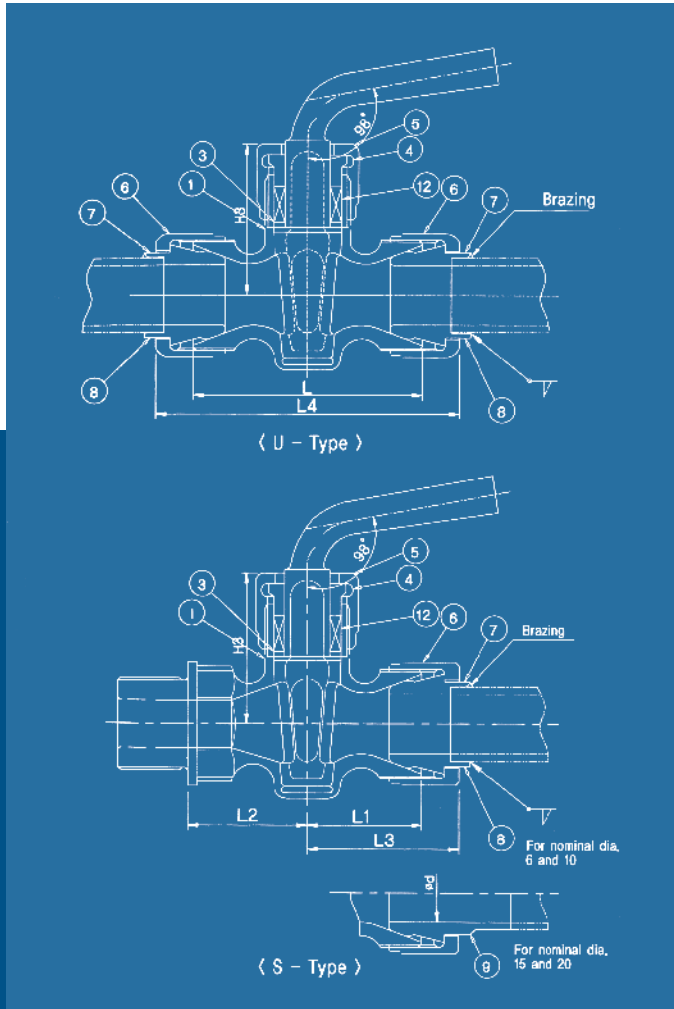
DIMENSIONS

Rating	size (mm)	Ød (mm)	ØD (mm)	ØC (mm)	N-Øh (mm)	t (mm)	L (mm)	H (mm)	Weight (kg)
JIS 5K	15A	25	80	60	4-12	10	110	69	2.24
(JIS F7371)	20A	25	85	65	4-12	10	110	69	2.24
	25A	25	95	75	4-12	10	110	69	2.24
	32A	32	115	90	4-15	12	130	79	3.07
	40A	40	120	95	4-15	12	140	93	4.34



TECHNICAL DATA

COCKS BRONZE - 16K



TECHNICAL FEATURES

- | | | |
|----|-------------------|----------------|
| 1 | body | bronze |
| 2A | plug a | bronze |
| 2B | plug b | bronze |
| 3 | seat ring | bronze / brass |
| 4 | packing gland | bronze / brass |
| 5 | gland nut | bronze / brass |
| 6 | union nut | bronze / brass |
| 7 | nipple for copper | brass |
| 8 | nipple for steel | steel |
| 10 | union nut | brass |
| 11 | sleeve | brass |
| 12 | packing | non asbestos |

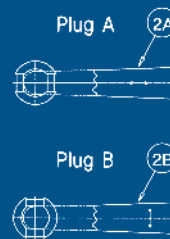
FLUID CONDITION & MAX. WORKING PRESSURE

Rating Fluid Condition	Nominal Dia. 6 and 10	Nominal Dia. 15 and 20
Oil and Pulsation water	1.57(16)	1.27(13)
Saturated steam	0.98(10)	0.49(5)
Non-shock water up to 120 °C	1.96(20)	1.57(16)

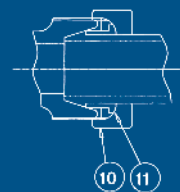
DIMENSIONS

Rating	size (mm)	Copper pipe	Steel pipe	L (mm)	L1 (mm)	L2 (mm)	L3 (mm)	L4 (mm)	H3 (mm)	Weight (kg)
JIS 16K	6A	8	10.5	56	28	28	37	74	36	0.46
(JIS F7387)	6A	10	10.5	56	28	28	37	74	36	0.46
	10A	15	17.3	80	40	35	52	104	44	0.85
	15A	20	21.7		45	45	58		56	1.46
	20A	25	27.2		50	50	65		62	2.09

Direction of plug port

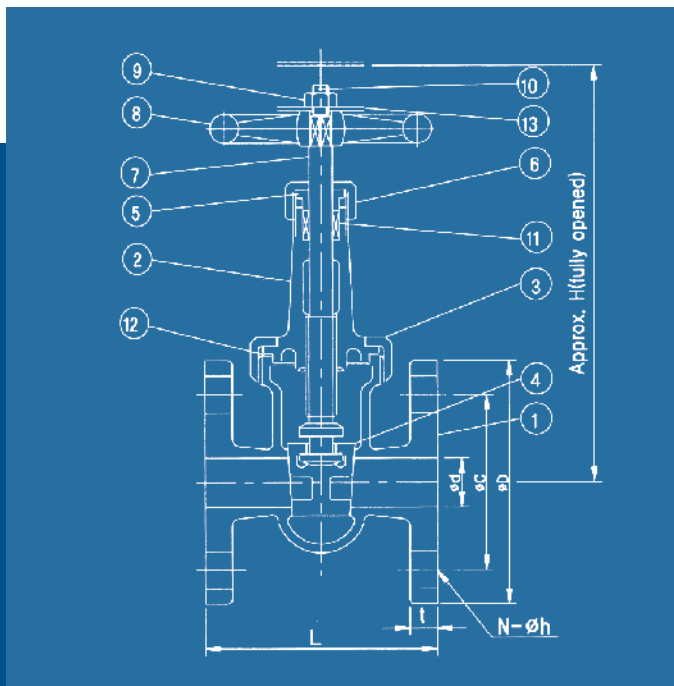


For bite type union
(nominal dia. 6 and 10)



TECHNICAL DATA

GATE VALVE BRONZE - 5K

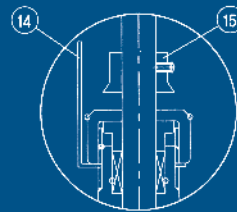


TECHNICAL FEATURES

1	body	bronze
2	bonnet	bronze
3	bonnet nut	bronze
4	disc	bronze
5	packing gland	brass
6	packing gland nut	brass
7	stem	brass
8	handwheel	cast iron
9	hexagon nut	brass
10	split pin	brass
11	packing	non asbestos
12	gasket	non asbestos
13	washer	steel
14	indicator plate	brass
15	indicator piece	brass

FLUID CONDITION & MAX. WORKING PRESSURE

Rating Fluid Condition	JIS 5K
oil and pulsation water	0.49(5)
saturated steam	0.20(2)
non-shock water up to 120 °C	0.69(7)



Indicator

DIMENSIONS

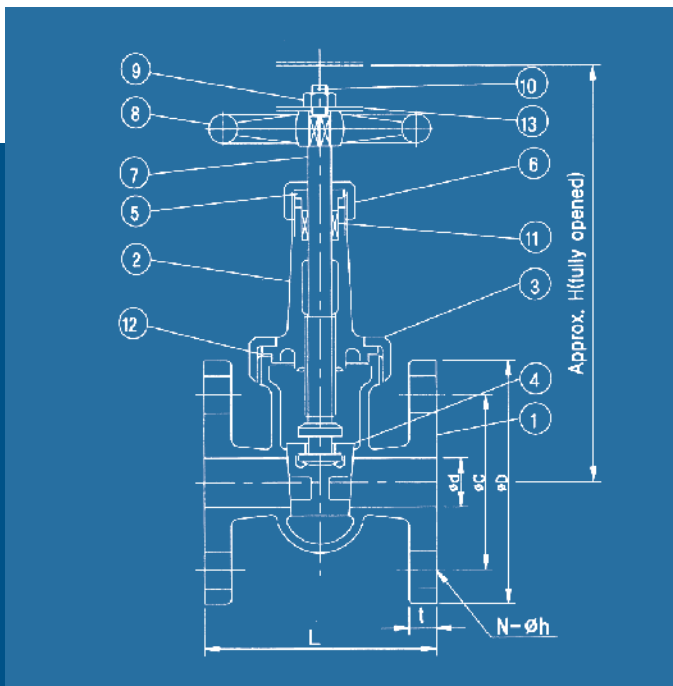
Rating	size (mm)	Ød (mm)	ØD (mm)	ØC (mm)	N-Øh (mm)	t (mm)	L (mm)	H (mm)	Weight (kg)
JIS 5K	15A	15	80	60	4-12	9	90	175	2.29
(JIS F7367)	20A	20	85	65	4-12	10	100	200	2.98
	25A	25	95	75	4-12	10	110	220	4.10
	32A	32	115	90	4-15	12	130	250	5.79
	40A	40	120	95	4-15	12	140	290	7.78
	50A	50	155	120	4-19	16	200	300	



www.wosupply.com

TECHNICAL DATA

GATE VALVE BRONZE - 10K

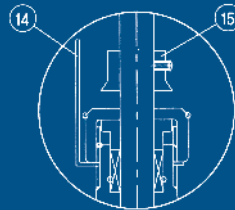


TECHNICAL FEATURES

1	body	bronze
2	bonnet	bronze
3	bonnet nut	bronze
4	disc	bronze
5	packing gland	brass
6	packing gland nut	brass
7	stem	brass
8	handwheel	cast iron
9	hexagon nut	brass
10	split pin	brass
11	packing	non asbestos
12	gasket	non asbestos
13	washer	steel
14	indicator plate	brass
15	indicator piece	brass

FLUID CONDITION & MAX. WORKING PRESSURE

Rating Fluid Condition	JIS 10K
oil and pulsation water	0.98(10)
saturated steam	0.20(2)
non-shock water up to 120 °C	1.37(14)



Indicator

DIMENSIONS

Rating	size (mm)	Ød (mm)	ØD (mm)	ØC (mm)	N-Øh (mm)	t (mm)	L (mm)	H (mm)	Weight (kg)
JIS 10K	15A	15	95	70	4-15	12	100	175	2.96
(JIS F7367)	20A	20	100	75	4-15	14	110	200	3.89
	25A	25	125	90	4-19	14	120	220	5.82
	32A	32	135	100	4-19	16	140	250	7.52
	40A	40	140	105	4-19	16	150	290	9.71
	50A	50	155	120	4-19	16	200	300	



www.wosupply.com



4 BUTTERFLY VALVES

TECHNICAL DATA

BUTTERFLY VALVES

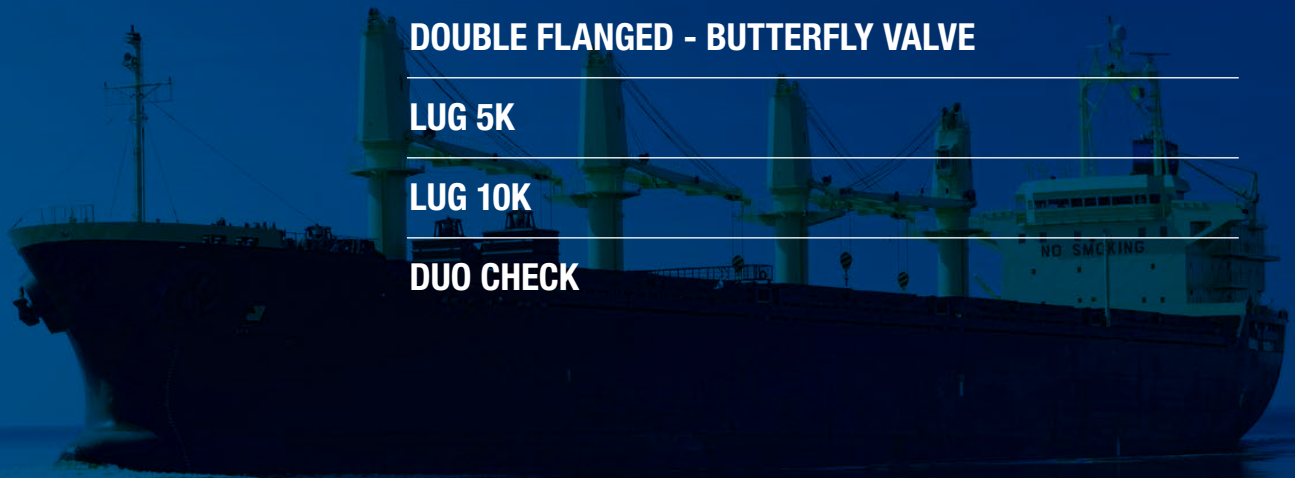
UNIVERSAL WAFER

DOUBLE FLANGED - BUTTERFLY VALVE

LUG 5K

LUG 10K

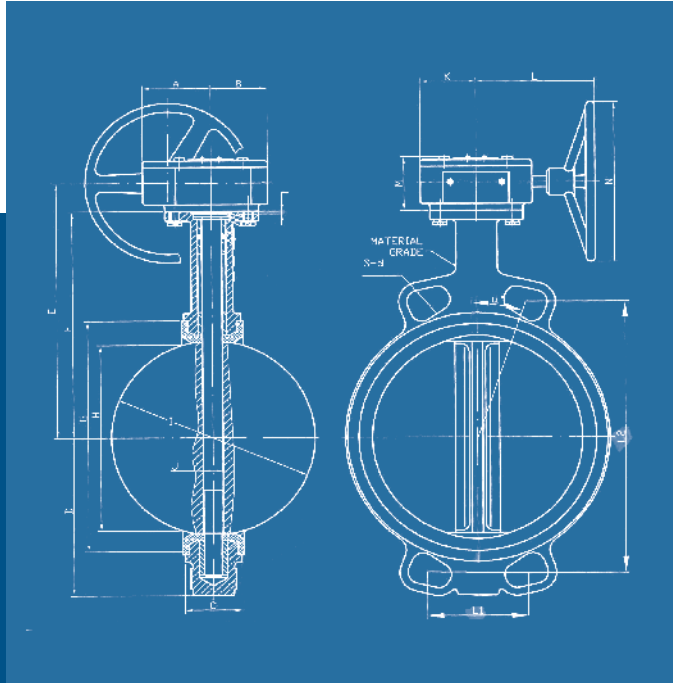
DUO CHECK



www.wosupply.com

TECHNICAL DATA

BUTTERFLY WAFER TYPE 5K - 10K - PN10



TECHNICAL FEATURES

1	body	ASTM A536 65-45-12 / ductile iron
2	long bushing	PTFE
3	stem	SS416
4	seat	ASTM D2000 NBR/viton/EPDM
5	disc	ASTM C95400/CF 8M
6	name plate	aluminium
7	plate rivet	aluminium
8	short bushing	PTFE
9	“O” ring	ASTM D2000 NBR
10	bolts	steel
11	spring spacer	AISI 1566
12	circlip	steel
13	washer	steel
14	retaining ring	steel
15	gearbox	30:1

FEATURES

Nominal Pressure		1.6MPa
Test pressure	SEAT	1.76MPa
	SHELL	2.4MPa
Working temp.	NBR	-12°C to 82°C



Remark:

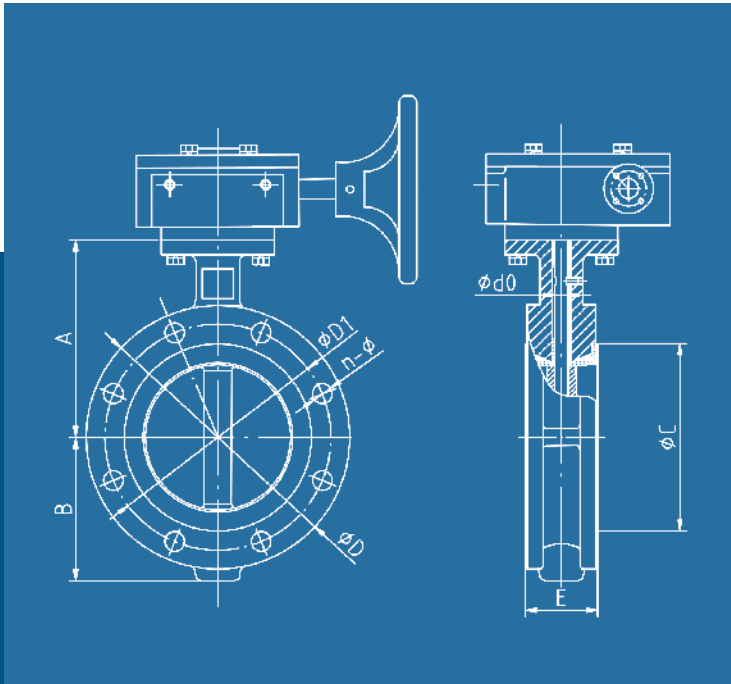
1. Face to face dimensions conform to EN558 series 20
2. Dimensions for topwork conform to ISO5211
3. Dimensions for mounting flange conform to DIN PN10, PN16, JIS 5K, JIS 10K.

DIMENSIONS

PN10 5K/10K (mm)	A (mm)	B (mm)	C (mm)	D (mm)	E (mm)	F (mm)	G (mm)	H (mm)	P1 (mm)	P2 (mm)	P3 (mm)	P4 (mm)	P5 (mm)	Ø (mm)	L1 (mm)	L2 (mm)
DIN40	72	55	33	75	157	120	76	30.5	90	70	55	4-Ø10	11	110	78	77.78
DIN50	72	55	43	80	161	124	86	32.3	90	70	55	4-Ø10	11	125	88	88.39
DIN65	72	55	46	80	161	124	86	32.3	90	70	55	4-Ø10	11	145	103	102.53
DIN80	72	55	46	95	178	141	114	64.4	90	70	55	4-Ø10	11	160	113	113.14
DIN100	72	55	52	114	193	156	141	86.3	92	70	55	4-Ø10	11	180	69	116.3
DIN125	72	55	56	140	221	184	197	135	92	70	55	4-Ø10	14	210	80	194.01
DIN150	72	55	56	140	221	184	197	135	92	70	55	4-Ø10	14	240	92	221.73
DIN200	90	87	60	175	258	213	239	192	125	102	70	4-Ø12	17	295	113	272.54
DIN250	90	87	68	220	289	244	300	242	125	102	70	4-Ø12	22	350	91	338.07
DIN300	116	82	78	255	327	283	360	292	125	102	70	4-Ø12	22	400	104	386.37
DIN350	116	82	78	267	412	368	388	322	150	125	85	4-Ø14	31.6	460	90	451.16
DIN400	116	82	102	267	412	368	388	322	150	125	85	4-Ø14	31.6	515	100	505.1
DIN450	160	130	114	328	486	422	491	425	197	140	100	4-Ø18	41	565	88	558.04
DIN500	120	138	127	361	551	480	535	473	197	140	100	4-Ø18	44.2	620	97	612.37
DIN600	120	138	152	367	633	562	654	528	276	165	130	4-Ø22	54.7	725	113	716.07

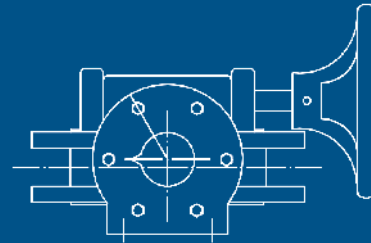
TECHNICAL DATA

DOUBLE FLANGED (U-TYPE) BUTTERFLY VALVE - 5K/10K



TECHNICAL FEATURES

1	body	ductile iron
2	stem	SS316
3	seat	NBR
4	disc	bronze
5	bolts	steel

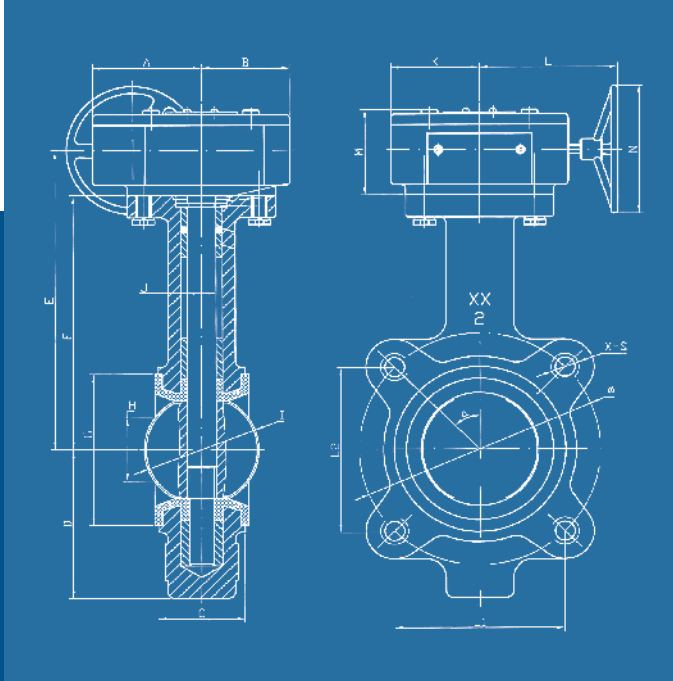


DIMENSIONS

Size DN	Size (inch)	A (mm)	B (mm)	E (mm)	ØD (mm)	n-Ø		ØD1		Ød (mm)	ØC (mm)		
						JIS5K	JIS10K	JIS5K	JIS10K				
80	3	139	111	48	185	4	Ø19	8	Ø19	145	150	12.6	116
100	4	150	124	48	210	8	Ø19	8	Ø19	165	175	15.77	135
125	5	171	144	98	250	8	Ø19	8	Ø23	200	210	18.92	170
150	6	-	-	98	280	8	Ø19	8	Ø23	230	240	18.92	200
200	8	214	187	98	330	8	Ø23	12	Ø23	280	290	22.1	245
250	10	-	-	108	400	12	Ø23	12	Ø25	345	355	28.45	310
300	12	286	243	108	445	12	Ø23	16	Ø25	390	400	31.6	355
350	14	323	268	118	490	12	Ø25	16	Ø25	435	445	31.6	470
400	16	370	301	128	560	16	Ø25	16	Ø27	495	510	33.15	470
450	18	-	-	148	620	16	Ø25	20	Ø27	555	565	37.95	-
500	20	432	358	158	675	20	Ø25	20	Ø27	605	620	41.12	580
550	22	466	395	168	745	-	Ø	-	Ø	-	-	41.12	618
600	24	501	419	168	795	20	Ø27	24	Ø33	715	730	50.62	680

TECHNICAL DATA

LUG TYPE 5K



FEATURES

Nominal Pressure		1.6MPa
Test pressure	SEAT	1.76MPa
	SHELL	2.4MPa
Working temp.	NBR	-12°C to 82°C



TOP VIEW

TECHNICAL FEATURES

1	body	ASTM A536 65-45-12
2	long bushing	PTFE
3	stem	SS416
4	seat	ASTM D2000 NBR
5	disc	ASTM bronze/CF 8M
6	name plate	aluminium
7	plate rivet	aluminium
8	short bushing	PTFE
9	“O” ring	ASTM D2000 NBR
10	bolts	steel
11	spring spacer	AISI 1566
12	circlip	steel
13	washer	steel
14	retaining ring	steel
15	gearbox	24:1

Remark:

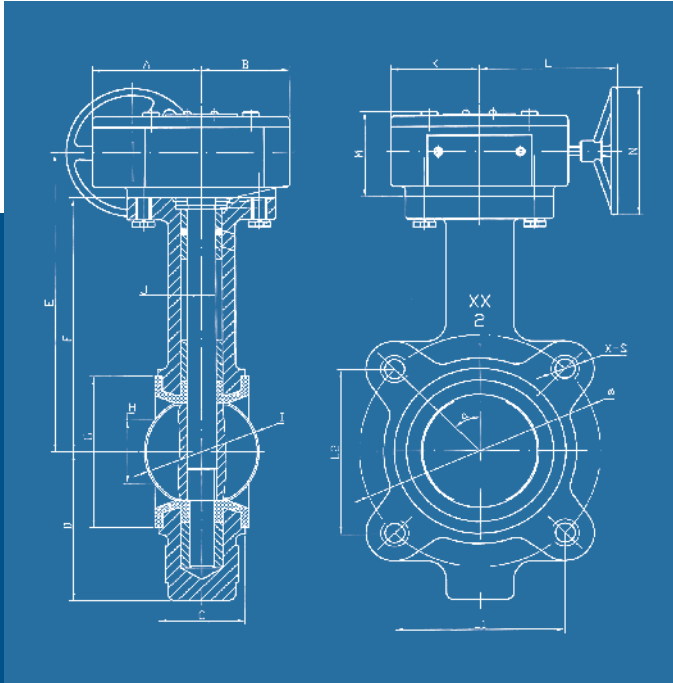
1. Face to face dimensions conform to EN558 series 20
2. Dimensions for topwork conform to ISO5211
3. Dimensions for mounting flange conform to DIN5K.

DIMENSIONS

PN10 5K	A (mm)	B (mm)	C (mm)	D (mm)	E (mm)	F (mm)	G (mm)	H (mm)	P1 (mm)	P2 (mm)	P3 (mm)	P4 (mm)	P5 (mm)	Ø (mm)	L1 (mm)	L2 (mm)
DIN40	72	55	33	75	157	120	76	30.5	90	70	55	4-Ø10	11	-	-	-
DIN50	72	55	43	80	161	124	86	32.3	90	70	55	4-Ø10	11	105	74.25	74.25
DIN65	72	55	46	80	161	124	86	32.3	90	70	55	4-Ø10	11	130	91.92	91.92
DIN80	72	55	52	95	178	141	114	64.4	90	70	55	4-Ø10	11	145	102.53	102.53
DIN100	72	55	56	114	193	156	141	86.3	92	70	55	4-Ø10	11	165	63.14	152.44
DIN125	72	55	56	140	221	184	197	135	92	70	55	4-Ø10	14	200	76.54	184.78
DIN150	72	55	60	140	221	184	197	135	92	70	55	4-Ø10	14	230	88.02	212.49
DIN200	90	87	68	175	258	213	239	192	125	102	70	4-Ø12	17	280	107.15	258.69
DIN250	90	87	78	220	289	244	300	242	125	102	70	4-Ø12	22	345	89.29	333.24
DIN300	116	82	76.9	255	327	283	360	292	125	102	70	4-Ø12	22	390	100.94	376.71
DIN350	116	82	76.9	267	412	368	388	322	150	125	85	4-Ø14	32	435	112.59	420.18
DIN400	116	82	76.9	267	412	368	388	322	150	125	85	4-Ø14	32	495	96.57	485.49
DIN450	160	130	112	328	486	422	491	425	197	140	100	4-Ø18	41	555	108.28	544.34
DIN500	120	138	130	361	551	480	535	473	197	140	100	4-Ø18	44	605	94.64	597.55
DIN600	120	138	151	367	633	562	654	528	276	165	130	4-Ø22	55	715	111.85	706.2

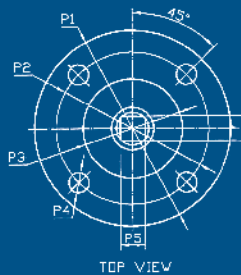
TECHNICAL DATA

LUG TYPE 10K



FEATURES

Nominal Pressure		1.6MPa
Test pressure	SEAT	1.76MPa
	SHELL	2.4MPa
Working temp.	NBR	-12°C to 82°C



TECHNICAL FEATURES

1	body	ASTM A536 65-45-12
2	long bushing	PTFE
3	stem	SS416
4	seat	ASTM D2000 NBR
5	disc	ASTM bronze/CF 8M
6	name plate	aluminium
7	plate rivet	aluminium
8	short bushing	PTFE
9	“O” ring	ASTM D2000 NBR
10	bolts	steel
11	spring spacer	AISI 1566
12	circlip	steel
13	washer	steel
14	retaining ring	steel
15	gearbox	24:1

Remark:

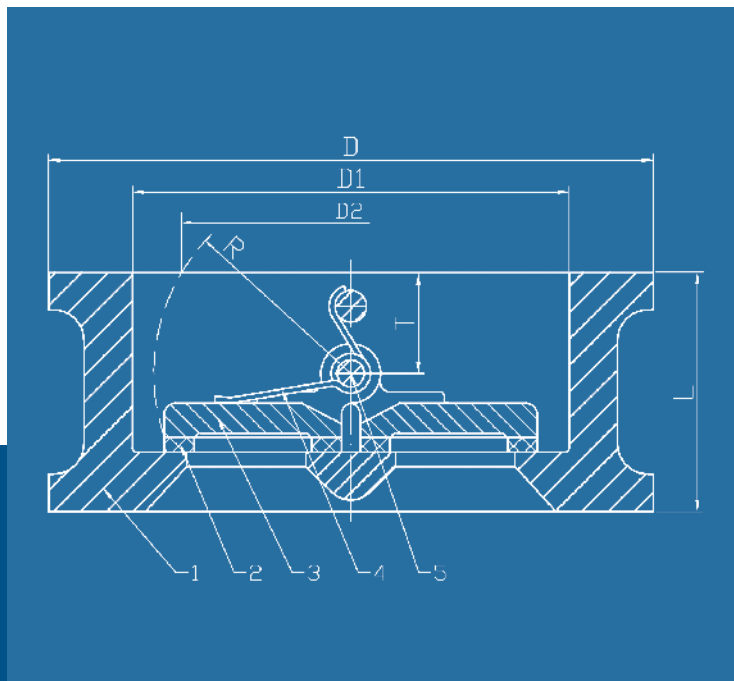
1. Face to face dimensions conform to EN558 series 20
2. Dimensions for topwork conform to ISO5211
3. Dimensions for mounting flange conform to DIN10K.

DIMENSIONS

PN10 10K	A (mm)	B (mm)	C (mm)	D (mm)	E (mm)	F (mm)	G (mm)	H (mm)	P1 (mm)	P2 (mm)	P3 (mm)	P4 (mm)	P5 (mm)	Ø (mm)	L1 (mm)	L2 (mm)
DIN40	72	55	33	75	157	120	76	30.5	90	70	55	4-Ø10	11	-	-	-
DIN50	72	55	43	80	161	124	86	32.3	90	70	55	4-Ø10	11	120	84.85	74.25
DIN65	72	55	46	80	161	124	86	32.3	90	70	55	4-Ø10	11	140	99.00	99.00
DIN80	72	55	52	95	178	141	114	64.4	90	70	55	4-Ø10	11	150	57.40	138.58
DIN100	72	55	56	114	193	156	141	86.3	92	70	55	4-Ø10	11	175	66.97	161.68
DIN125	72	55	56	140	221	184	197	135	92	70	55	4-Ø10	14	210	80.36	194.01
DIN150	72	55	60	140	221	184	197	135	92	70	55	4-Ø10	14	240	91.84	221.73
DIN200	90	87	68	175	258	213	239	192	125	102	70	4-Ø12	17	290	75.06	280.12
DIN250	90	87	78	220	289	244	300	242	125	102	70	4-Ø12	22	355	91.88	342.90
DIN300	116	82	76.9	255	327	283	360	292	125	102	70	4-Ø12	22	400	78.04	392.31
DIN350	116	82	76.9	267	412	368	388	322	150	125	85	4-Ø14	32	445	86.82	436.45
DIN400	116	82	76.9	267	412	368	388	322	150	125	85	4-Ø14	32	510	99.50	500.20
DIN450	160	130	112	328	486	422	491	425	197	140	100	4-Ø18	41	565	88.39	558.04
DIN500	120	138	130	361	551	480	535	473	197	140	100	4-Ø18	44	620	96.99	612.37
DIN600	120	138	151	367	633	562	654	528	276	165	130	4-Ø22	55	730	95.28	723.75

TECHNICAL DATA

DUO CHECK VALVE NCI



TECHNICAL FEATURES

1	body	cast iron / nodular cast iron
2	seat	NBR
3	disc	Alubronze
4	spring	SS316/SS304
5	stem	SS316/SS304

NOTE

1. The face to face: ISO5752
2. Joint flange: BS4504 PN10/PN16
3. Test: AP1598

TECHNICAL DATA

Normal Pressure		1.0MPa	1.6MPa
Test pressure	SEAT	1.1MPa	1.76MPa
	SHELL	1.5MPa	2.4MPa

DIMENSIONS

Size DN	Size (inch)	D (mm)	D1 (mm)	D2 (mm)	L (mm)	R (mm)	T (mm)
50	2	107	65	43.3	43	28.8	19
65	2 1/2	127	80	60.2	46	36.1	20
80	3	142	94	66.4	64	43.4	28
100	4	162	117	90.8	64	52.8	27
125	5	192	145	116.9	70	65.7	30
150	6	218	170	144.6	76	78.6	31
200	8	273	224	198.2	89	104.4	33
250	10	328	265	233.7	114	127.0	50
300	12	378	310	283.9	114	148.3	43
350	14	438	360	332.9	127	172.4	45
400	16	489	410	381.0	140	197.4	52
450	18	539	450	419.9	152	217.8	58
500	20	594	505	467.8	152	241.0	58
600	24	700	624	572.6	178	295.4	73
700	28	820	720	661.6	229	345.0	98
800	32	930	825	762.2	241	394.0	100



5 JIS MARINE VALVES

TECHNICAL DATA

MARINE VALVES

F7399-5K - F399-10K

F7399-A-5K - F7399-A-10K

F7399-BR-5K - F7399-BR-10K

F7399-ABR-5K - F7399-ABR-10K

F7121

MUD BOX

STEAM TRAP FLANGED-5K

STEAM TRAP FLANGED-10K

STEAM TRAP FLANGED-16K

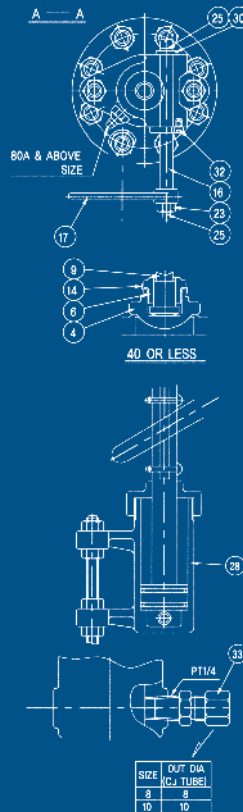
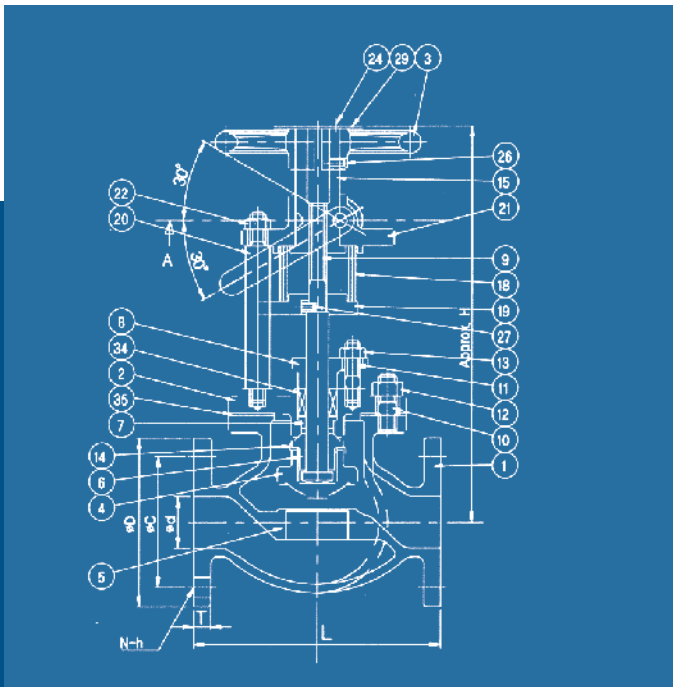
STEAM TRAP THREADED

STORM VALVES



TECHNICAL DATA

QUICK CLOSING VALVE CAST STEEL - 5K



TECHNICAL FEATURES

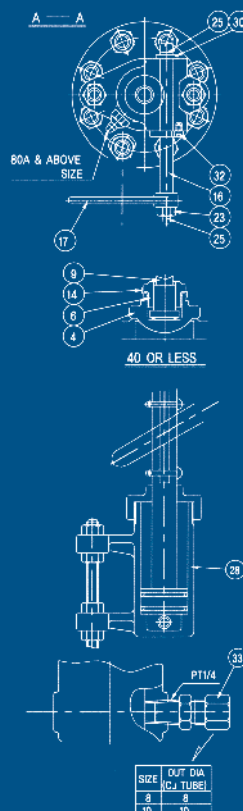
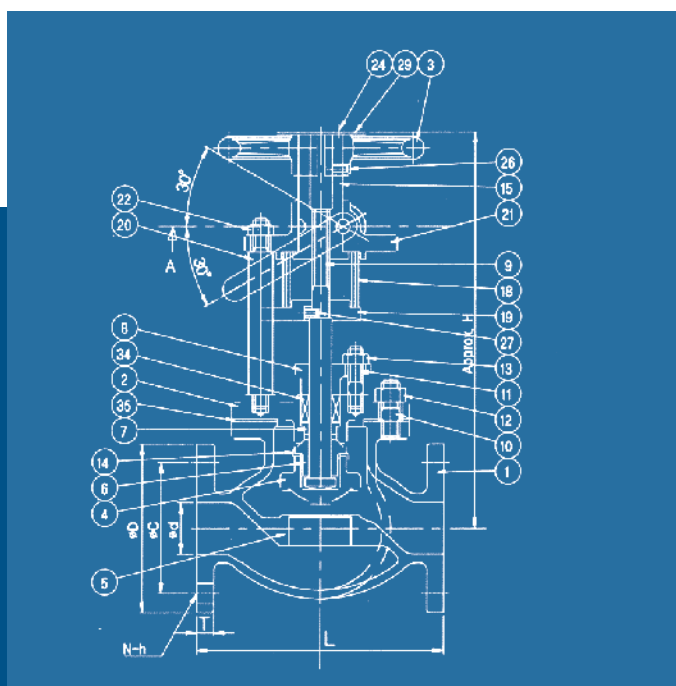
1	body	bronze
2	bonnet	bronze
3	hand wheel	cast iron
4	disc	bronze
5	body seat ring	integral / bronze
6	disc nut	brass
7	bonnet bush	brass
8	packing gland	bronze
9	stem	brass
10	bonnet bolt	steel
11	packing bolt	steel
12	bonnet nut	steel
13	packing nut	brass
14	disc washer	brass
15	stem bush	brass
16	spindle	stainless steel
17	lever	steel
18	spring	swp-a
19	spring support	bronze / ductile iron
20	stay	steel
21	support bush	bronze / ductile iron
22	stay nut	steel
23	nut	steel
24	machine screw	brass
25	split pin	brass
26	machine screw	brass
27	lock pin	steel
28	pneumatic cylinder	bronze / brass
29	name plate	brass
30	washer	steel
32	set screw	steel
33	nipple	brass
34	packing	non asbestos
35	bonnet gasket	non asbestos

DIMENSIONS

Rating	size (mm)	Ød (mm)	Ød1 (mm)	L (mm)	ØD (mm)	N-h (mm)	t (mm)	H (mm)	ØD2 (mm)
JIS 5K	50A	50	58	216	130	4-15	14	335	160
(JIS F7399)	65A	65	73	262	155	4-15	14	395	180
	80A	80	88	292	188	4-19	14	420	180
	100A	100	111	346	200	8-19	16	510	224
	125A	125	138	412	235	8-19	16	570	250
	150A	150	163	482	265	8-19	18	660	280
	200A	200	213	566	320	8-23	20	780	315

TECHNICAL DATA

QUICK CLOSING VALVE CAST STEEL - 10K



TECHNICAL FEATURES

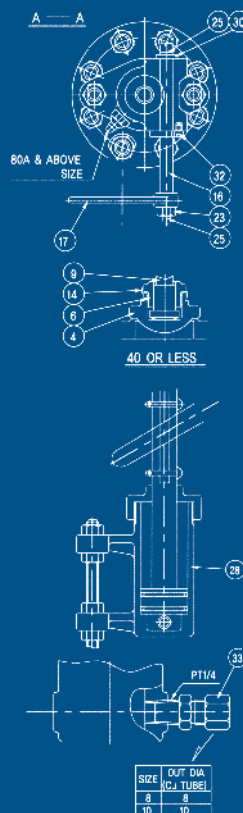
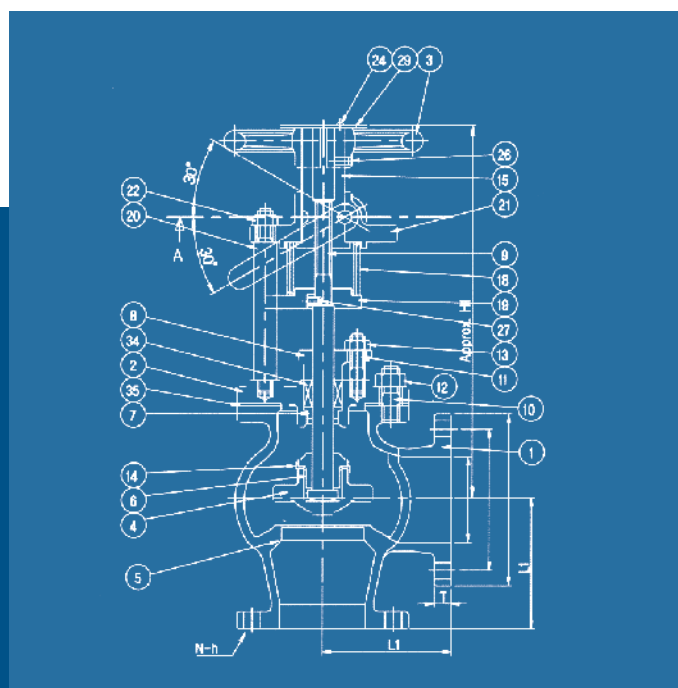
1	body	bronze
2	bonnet	bronze
3	hand wheel	cast iron
4	disc	bronze
5	body seat ring	integral / bronze
6	disc nut	brass
7	bonnet bush	brass
8	packing gland	bronze
9	stem	brass
10	bonnet bolt	steel
11	packing bolt	steel
12	bonnet nut	steel
13	packing nut	brass
14	disc washer	brass
15	stem bush	brass
16	spindle	stainless steel
17	lever	steel
18	spring	swp-a
19	spring support	bronze / ductile iron
20	stay	steel
21	support bush	bronze / ductile iron
22	stay nut	steel
23	nut	steel
24	machine screw	brass
25	split pin	brass
26	machine screw	brass
27	lock pin	steel
28	pneumatic cylinder	bronze / brass
29	name plate	brass
30	washer	steel
32	set screw	steel
33	nipple	brass
34	packing	non asbestos
35	bonnet gasket	non asbestos

DIMENSIONS

Rating	size (mm)	Ød (mm)	Ød1 (mm)	L (mm)	ØD (mm)	N-h (mm)	t (mm)	H (mm)	ØD2 (mm)
JIS 10K	50A	50	58	216	155	4-19	16	335	160
(JIS F7399)	65A	65	73	262	175	4-19	18	395	180
	80A	80	88	292	185	8-19	18	420	180
	100A	100	111	346	210	8-19	18	510	224
	125A	125	138	412	250	8-23	20	570	250
	150A	150	163	482	280	8-23	22	660	280
	200A	200	213	566	330	12-23	22	780	315

TECHNICAL DATA

QUICK CLOSING VALVE - ANGLE CAST STEEL - 5K



TECHNICAL FEATURES

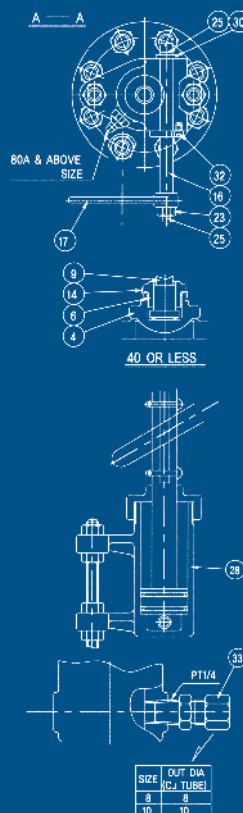
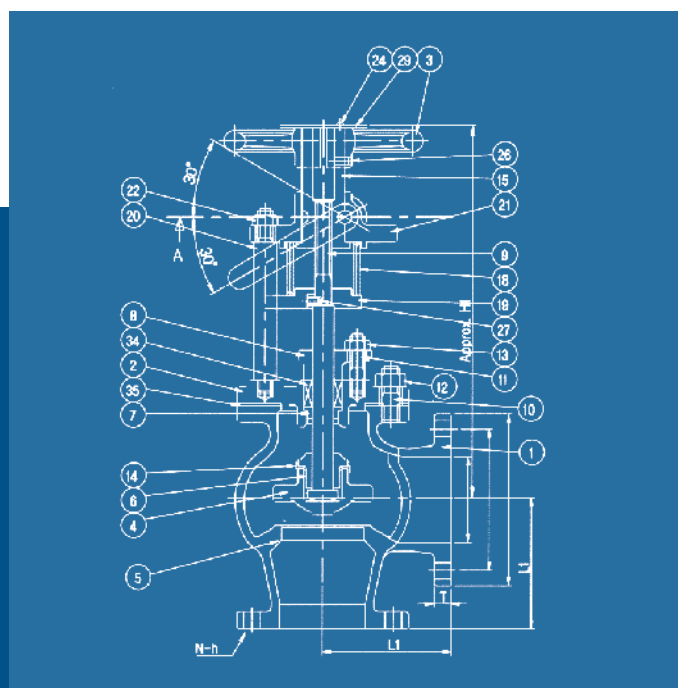
1	body	bronze
2	bonnet	bronze
3	hand wheel	cast iron
4	disc	bronze
5	body seat ring	integral / bronze
6	disc nut	brass
7	bonnet bush	brass
8	packing gland	bronze
9	stem	brass
10	bonnet bolt	steel
11	packing bolt	steel
12	bonnet nut	steel
13	packing nut	brass
14	disc washer	brass
15	stem bush	brass
16	spindle	stainless steel
17	lever	steel
18	spring	swp-a
19	spring support	bronze / ductile iron
20	stay	steel
21	support bush	bronze / ductile iron
22	stay nut	steel
23	nut	steel
24	machine screw	brass
25	split pin	brass
26	machine screw	brass
27	lock pin	steel
28	pneumatic cylinder	bronze / brass
29	name plate	brass
30	washer	steel
32	set screw	steel
33	nipple	brass
34	packing	non asbestos
35	bonnet gasket	non asbestos

DIMENSIONS

Rating	size (mm)	Ød (mm)	Ød1 (mm)	L (mm)	ØD (mm)	N-h (mm)	t (mm)	H (mm)	ØD2 (mm)
JIS 5K	50A	50	58	118	105	4-15	14	335	160
(JIS F7399)	65A	65	73	126	130	4-15	14	395	180
	80A	80	88	136	145	4-19	14	420	180
	100A	100	111	154	165	8-19	16	510	224
	125A	125	138	176	200	8-19	16	570	250
	150A	150	163	201	230	8-19	18	660	280
	200A	200	213	228	280	8-23	20	780	315

TECHNICAL DATA

QUICK CLOSING VALVE - ANGLE CAST STEEL - 10K



TECHNICAL FEATURES

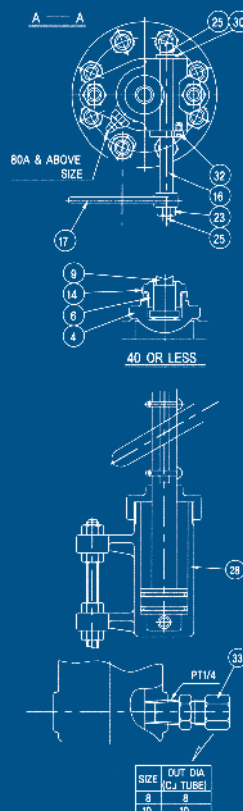
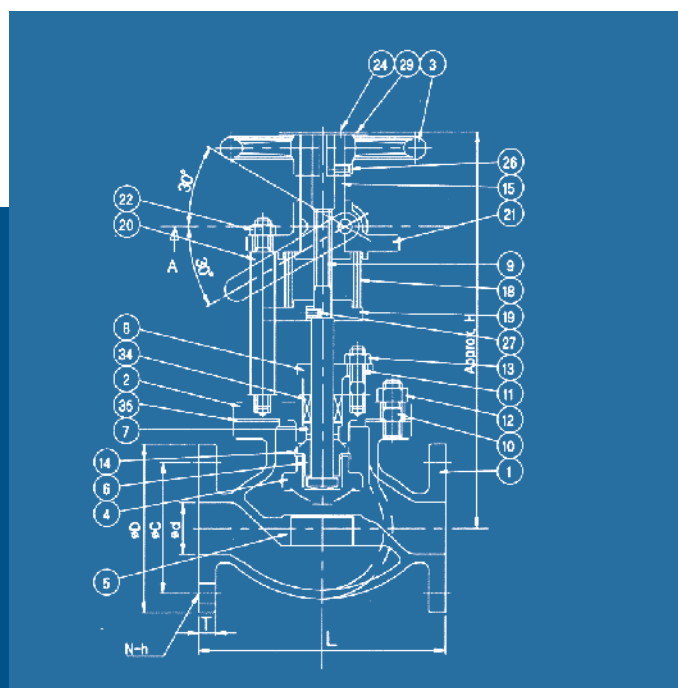
1	body	bronze
2	bonnet	bronze
3	hand wheel	cast iron
4	disc	bronze
5	body seat ring	integral / bronze
6	disc nut	brass
7	bonnet bush	brass
8	packing gland	bronze
9	stem	brass
10	bonnet bolt	steel
11	packing bolt	steel
12	bonnet nut	steel
13	packing nut	brass
14	disc washer	brass
15	stem bush	brass
16	spindle	stainless steel
17	lever	steel
18	spring	swp-a
19	spring support	bronze / ductile iron
20	stay	steel
21	support bush	bronze / ductile iron
22	stay nut	steel
23	nut	steel
24	machine screw	brass
25	split pin	brass
26	machine screw	brass
27	lock pin	steel
28	pneumatic cylinder	bronze / brass
29	name plate	brass
30	washer	steel
32	set screw	steel
33	nipple	brass
34	packing	non asbestos
35	bonnet gasket	non asbestos

DIMENSIONS

Rating	size (mm)	Ød (mm)	Ød1 (mm)	L (mm)	ØD (mm)	N-h (mm)	t (mm)	H (mm)	ØD2 (mm)
JIS 10K	50A	50	58	118	155	4-19	16	335	160
(JIS F7399)	65A	65	73	126	175	4-19	18	395	180
	80A	80	88	136	185	8-19	18	420	180
	100A	100	111	154	210	8-19	18	510	224
	125A	125	138	176	250	8-23	20	570	250
	150A	150	163	201	280	8-23	22	660	280
	200A	200	213	228	330	12-23	22	780	315

TECHNICAL DATA

QUICK CLOSING VALVE BRONZE - 5K



TECHNICAL FEATURES

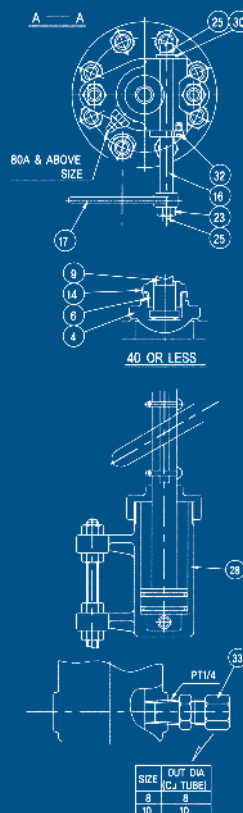
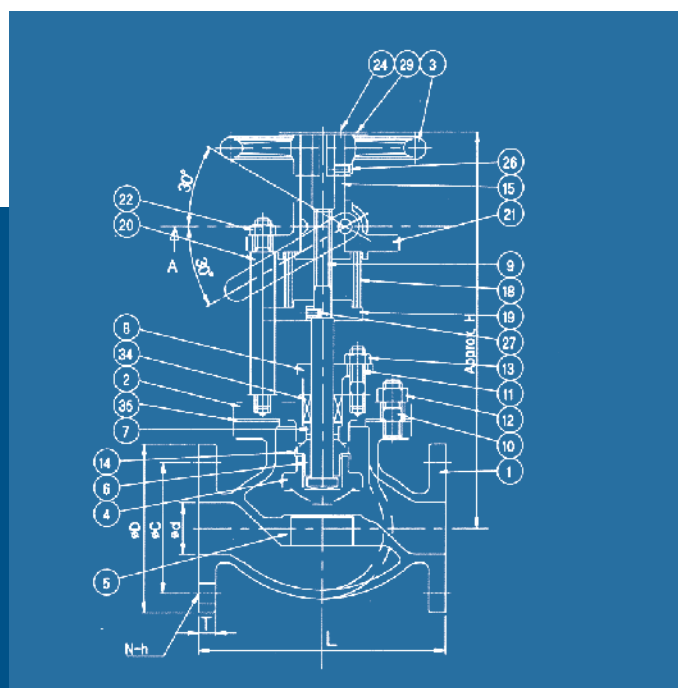
1	body	bronze
2	bonnet	bronze
3	hand wheel	cast iron
4	disc	bronze
5	body seat ring	integral / bronze
6	disc nut	brass
7	bonnet bush	brass
8	packing gland	bronze
9	stem	brass
10	bonnet bolt	steel
11	packing bolt	steel
12	bonnet nut	steel
13	packing nut	brass
14	disc washer	brass
15	stem bush	brass
16	spindle	stainless steel
17	lever	steel
18	spring	swp-a
19	spring support	bronze / ductile iron
20	stay	steel
21	support bush	bronze / ductile iron
22	stay nut	steel
23	nut	steel
24	machine screw	brass
25	split pin	brass
26	machine screw	brass
27	lock pin	steel
28	pneumatic cylinder	bronze / brass
29	name plate	brass
30	washer	steel
32	set screw	steel
33	nipple	brass
34	packing	non asbestos
35	bonnet gasket	non asbestos

DIMENSIONS

Rating	size (mm)	Ød (mm)	Ød1 (mm)	L (mm)	ØD (mm)	N-h (mm)	t (mm)	H (mm)	ØD2 (mm)
JIS 5K	15A	15	30	110	80	4-12	10	268	120
(JIS F7399)	20A	20	37	120	85	4-12	10	268	120
	25A	25	30	120	95	4-12	10	268	120
	32A	32	37	160	115	4-15	12	310	140
	40A	40	45	160	120	4-15	12	310	140
	50A	50	58	210	130	4-15	14	335	160
	65A	65	73	250	155	4-15	14	395	180

TECHNICAL DATA

QUICK CLOSING VALVE BRONZE - 10K



TECHNICAL FEATURES

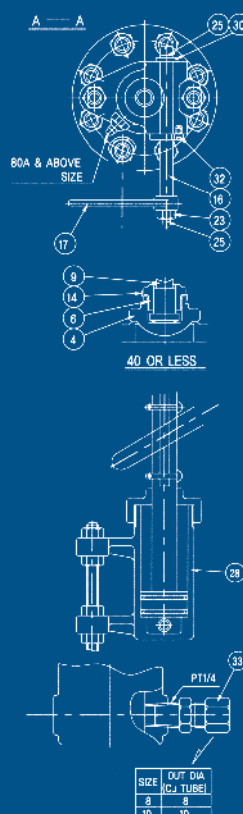
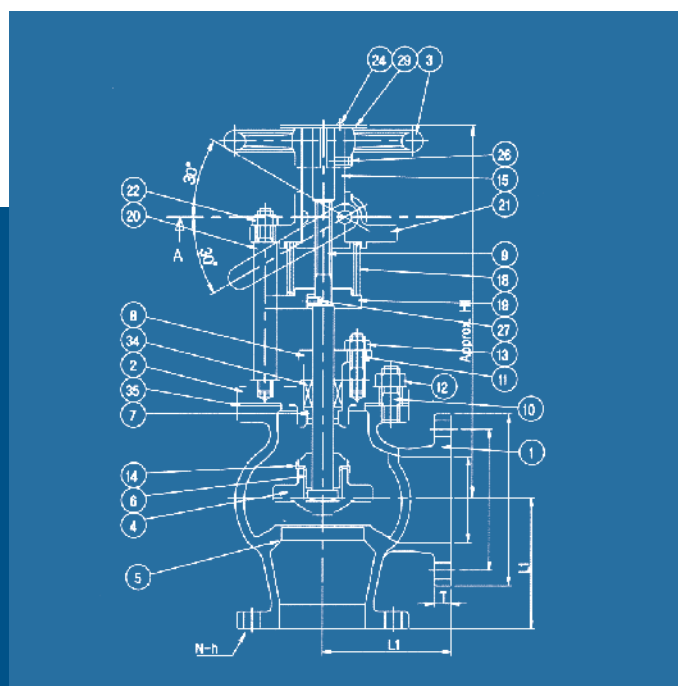
1	body	bronze
2	bonnet	bronze
3	hand wheel	cast iron
4	disc	bronze
5	body seat ring	integral / bronze
6	disc nut	brass
7	bonnet bush	brass
8	packing gland	bronze
9	stem	brass
10	bonnet bolt	steel
11	packing bolt	steel
12	bonnet nut	steel
13	packing nut	brass
14	disc washer	brass
15	stem bush	brass
16	spindle	stainless steel
17	lever	steel
18	spring	swp-a
19	spring support	bronze / ductile iron
20	stay	steel
21	support bush	bronze / ductile iron
22	stay nut	steel
23	nut	steel
24	machine screw	brass
25	split pin	brass
26	machine screw	brass
27	lock pin	steel
28	pneumatic cylinder	bronze / brass
29	name plate	brass
30	washer	steel
32	set screw	steel
33	nipple	brass
34	packing	non asbestos
35	bonnet gasket	non asbestos

DIMENSIONS

Rating	size (mm)	Ød (mm)	Ød1 (mm)	L (mm)	ØD (mm)	N-h (mm)	t (mm)	H (mm)	ØD2 (mm)
JIS 10K	15A	15	30	110	95	4-15	12	268	120
(JIS F7399)	20A	20	37	120	100	4-15	14	268	120
	25A	25	30	130	125	4-19	14	268	120
	32A	32	37	160	135	4-19	16	310	140
	40A	40	45	170	140	4-19	16	310	140
	50A	50	58	220	155	4-19	16	335	160
	65A	65	73	270	175	4-19	18	395	180

TECHNICAL DATA

QUICK CLOSING VALVE - ANGLE BRONZE - 5K



TECHNICAL FEATURES

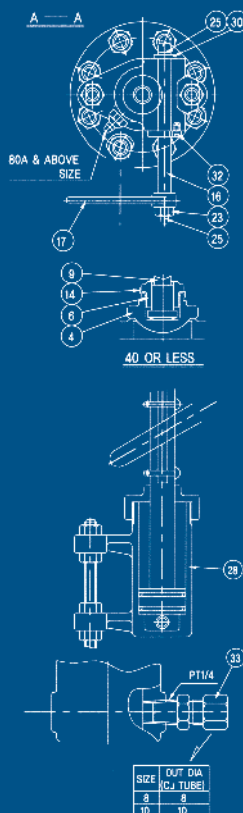
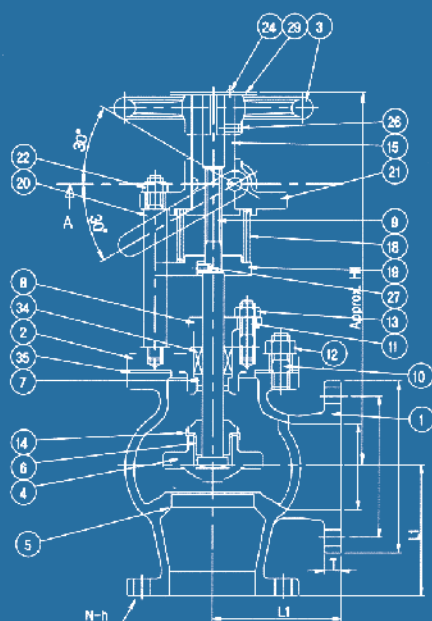
1	body	bronze
2	bonnet	bronze
3	hand wheel	cast iron
4	disc	bronze
5	body seat ring	integral / bronze
6	disc nut	brass
7	bonnet bush	brass
8	packing gland	bronze
9	stem	brass
10	bonnet bolt	steel
11	packing bolt	steel
12	bonnet nut	steel
13	packing nut	brass
14	disc washer	brass
15	stem bush	brass
16	spindle	stainless steel
17	lever	steel
18	spring	swp-a
19	spring support	bronze / ductile iron
20	stay	steel
21	support bush	bronze / ductile iron
22	stay nut	steel
23	nut	steel
24	machine screw	brass
25	split pin	brass
26	machine screw	brass
27	lock pin	steel
28	pneumatic cylinder	bronze / brass
29	name plate	brass
30	washer	steel
32	set screw	steel
33	nipple	brass
34	packing	non asbestos
35	bonnet gasket	non asbestos

DIMENSIONS

Rating	size (mm)	Ød (mm)	Ød1 (mm)	L (mm)	ØD (mm)	N-h (mm)	t (mm)	H (mm)	ØD2 (mm)
JIS 5K	15A	15	30	70	80	4-12	10	268	120
(JIS F7399)	20A	20	37	80	85	4-12	10	268	120
	25A	25	30	85	95	4-12	10	268	120
	32A	32	37	95	115	4-15	12	310	140
	40A	40	45	95	120	4-15	12	310	140

TECHNICAL DATA

QUICK CLOSING VALVE - ANGLE BRONZE - 10K



TECHNICAL FEATURES

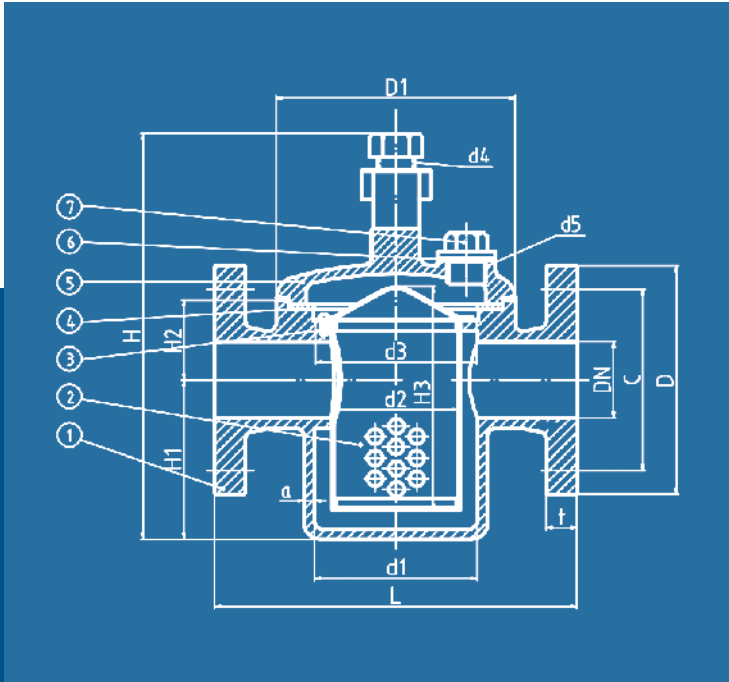
1	body	bronze
2	bonnet	bronze
3	hand wheel	cast iron
4	disc	bronze
5	body seat ring	integral / bronze
6	disc nut	brass
7	bonnet bush	brass
8	packing gland	bronze
9	stem	brass
10	bonnet bolt	steel
11	packing bolt	steel
12	bonnet nut	steel
13	packing nut	brass
14	disc washer	brass
15	stem bush	brass
16	spindle	stainless steel
17	lever	steel
18	spring	swp-a
19	spring support	bronze / ductile iron
20	stay	steel
21	support bush	bronze / ductile iron
22	stay nut	steel
23	nut	steel
24	machine screw	brass
25	split pin	brass
26	machine screw	brass
27	lock pin	steel
28	pneumatic cylinder	bronze / brass
29	name plate	brass
30	washer	steel
32	set screw	steel
33	nipple	brass
34	packing	non asbestos
35	bonnet gasket	non asbestos

DIMENSIONS

Rating	size (mm)	Ød (mm)	Ød1 (mm)	L (mm)	ØD (mm)	N-h (mm)	t (mm)	H (mm)	ØD2 (mm)
JIS 10K	15A	15	30	70	95	4-15	12	268	120
(JIS F7399)	20A	20	37	85	100	4-15	14	268	120
	25A	25	30	85	125	4-19	14	268	120
	32A	32	37	100	135	4-19	16	310	140
	40A	40	45	100	140	4-19	16	310	140

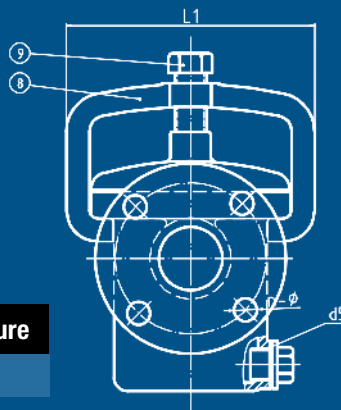
TECHNICAL DATA

WATER FILTER CAN 5K



TECHNICAL FEATURES

1	body	HT200
2	filter	Q235A
3	cylindrical pin	65Mn
4	shim	oil resistant rubber
5	cover	HT200
6	shim	no asbestos board
7	plug	H62
8	handle	QT400-18
9	bolt	2Cr13
10	movable connection bolt	25#
11	washer	Q235A
12	nut	25#
13	rings	Q235A
14	pin shaft	25#
15	cotter pin	A3



TECHNICAL SPECIFICATION

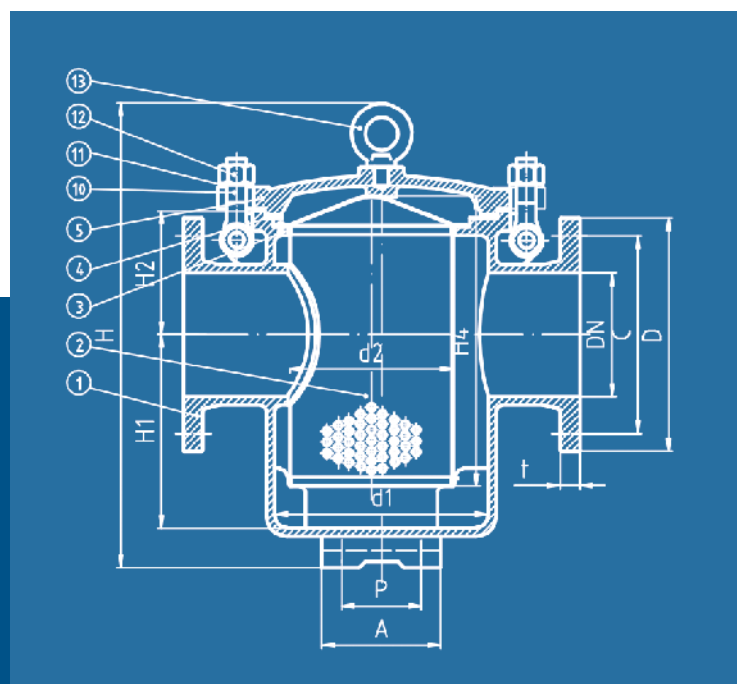
Nominal Pressure	Strength testing pressure
5K	0.3MPa

DIMENSIONS

DN	L (mm)	D (mm)	C (mm)	n-Ø (mm)	t (mm)	H (mm)	a (mm)	D1 (mm)	d1 (mm)	H1 (mm)	H2 (mm)	H3 (mm)	d2 (mm)	d3 (mm)	d4 (mm)	d5 (mm)	L1 (mm)
25	170	95	75	4-19	14	180	7	110	70	75	34.5	100	50	68	M16	M20X1.5	138
32	190	115	90	4-15	16	215	7	125	85	85	42	119	65	84	M20	M20X1.5	155
40	190	120	95	4-15	16	215	7	125	85	85	42	119	65	84	M20	M20X1.5	155
50	200	130	105	4-15	16	240	8	135	95	100	49	140	75	94	M20	M20X1.5	170
65	250	155	130	4-15	18	305	9	170	130	135	59	184	100	125	M22	M24X2	202
80	270	180	145	4-19	18	340	9	190	145	152	68	209	110	140	M22	M24X2	238
100	320	200	165	8-19	20	400	10	215	175	182	80	251	130	160	M30	M24X2	247

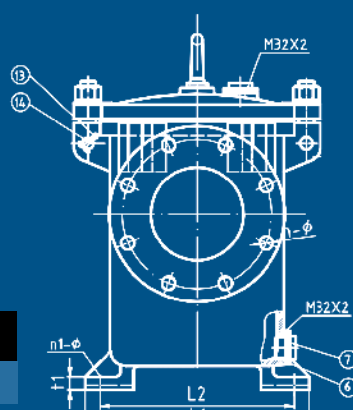
TECHNICAL DATA

MUDBOX 5K



TECHNICAL FEATURES

1	body	HT200
2	filter	Q235A
3	cylindrical pin	65Mn
4	shim	oil resistant rubber
5	cover	HT200
6	shim	no asbestos board
7	plug	H62
8	handle	QT400-18
9	bolt	2Cr13
10	movable connection bolt	25#
11	washer	Q235A
12	nut	25#
13	rings	Q235A
14	pin shaft	25#
15	cotter pin	A3



TECHNICAL SPECIFICATION

Nominal Pressure	Strength testing pressure
5K	0.3MPa

DIMENSIONS

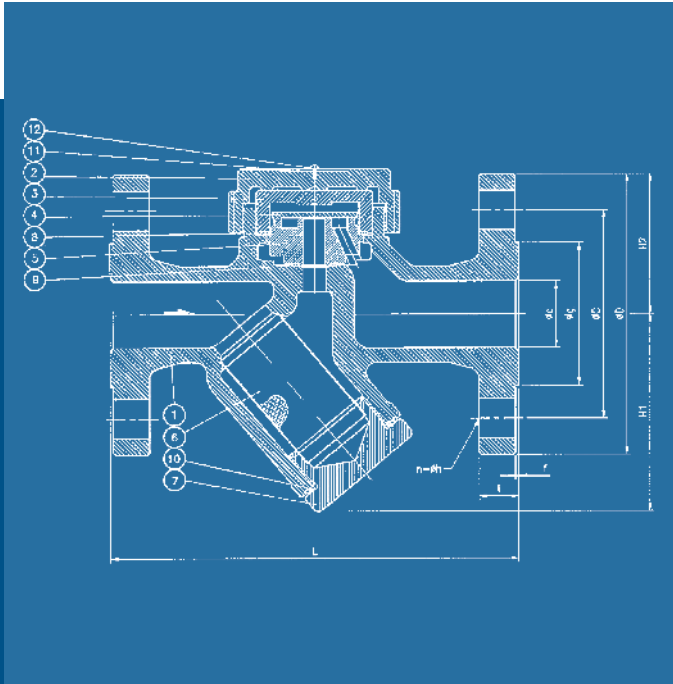
DN	L (mm)	D (mm)	C (mm)	n-Ø (mm)	t (mm)	H (mm)	d1 (mm)	H1 (mm)	H2 (mm)	H4 (mm)	d2 (mm)	A (mm)	P (mm)	t1 (mm)	n1-Ø (mm)	L1 (mm)	L2 (mm)
125	400	235	200	8-19	20	478	215	195	125	295	165	120	80	18	4-19	300	260
150	460	265	230	8-19	22	570	260	245	145	360	200	130	90	20	4-19	350	310
200	550	320	280	8-23	24	665	320	305	170	440	250	150	100	22	4-23	430	380
250	680	385	345	12-23	26	825	420	395	210	565	380	200	140	24	4-25	540	480
300	760	430	390	12-23	28	920	480	455	235	645	380	220	160	24	4-25	600	540
350	820	480	435	12-25	30	1030	535	510	265	780	420	240	180	26	4-25	650	590
400	880	540	495	16-25	30	1135	595	575	300	830	470	260	200	26	4-25	710	650

TECHNICAL DATA

STEAM TRAP FLANGED - 5K

TDC-1F

YTDC-F-J02



TECHNICAL FEATURES

1	body	FCD450
2	insulation cap	FCD450
3	cap	SCS13
4	disc	SUS420J2
5	seat	SUS410
6	screen	SUS304
7	plug	FCD450
8	seat gasket (out)	PTFE
9	seat gasket (in)	PTFE
10	plug gasket	non-asbestos
11	name plate	SUS304
12	rivet	AL

SPECIFICATION

1. Applicable fluid : steam
2. Working pressure : max 16 kgf/cm²
3. Working temperature : max 220°C
4. Hydro. test pressure : working pressure x 1.5
5. End connection : JIS B 2220 flange
6. Painting : heat resistance silver color

DIMENSIONS

Valve N°	size (mm)	L (mm)	H1 (mm)	H2 (mm)	Flange	FLANGE JIS B 2220		FLANGE JIS B 2220			Weight (kg)		
						Ød	ØD	ØC	Øg	f		t	n-Øh
32A	185.0	185.0	95.0	70.0	5K FF	15.0	80.0	60.0	-	-	9.0	4-12	6.0
32A	185.0	185.0	95.0	70.0	5K RF	15.0	80.0	60.0	44.0	1.0	9.0	4-12	6.0



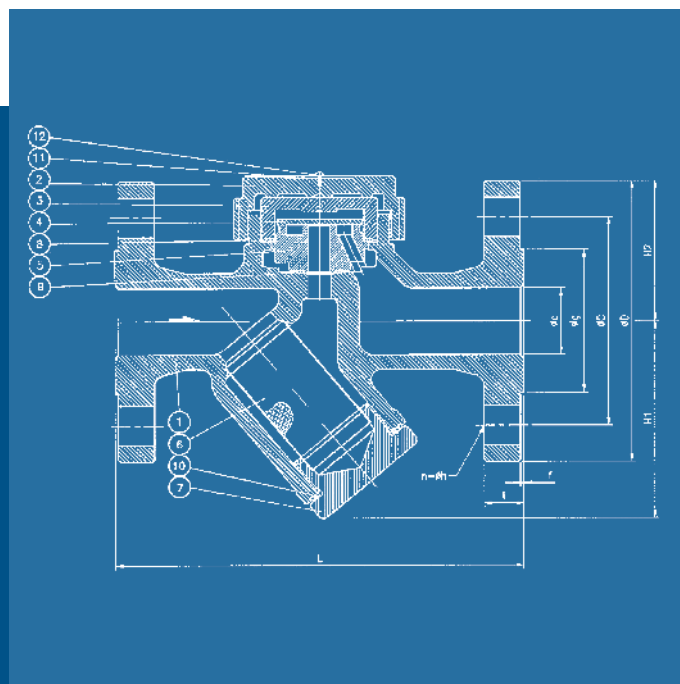
www.wosupply.com

TECHNICAL DATA

STEAM TRAP FLANGED - 10K

TDC-1F

YTDC-F-J02



TECHNICAL FEATURES

1	body	FCD450
2	insulation cap	FCD450
3	cap	SCS13
4	disc	SUS420J2
5	seat	SUS410
6	screen	SUS304
7	plug	FCD450
8	seat gasket (out)	PTFE
9	seat gasket (in)	PTFE
10	plug gasket	non-asbestos
11	name plate	SUS304
12	rivet	AL

SPECIFICATION

1. Applicable fluid : steam
2. Working pressure : max 16 kgf/cm²
3. Working temperature : max 220°C
4. Hydro. test pressure : working pressure x 1.5
5. End connection : JIS B 2220 flange
6. Painting : heat resistance silver color

DIMENSIONS

Valve N°	size (mm)	L (mm)	H1 (mm)	H2 (mm)	Flange	FLANGE JIS B 2220		FLANGE JIS B 2220			Weight (kg)		
						Ød	ØD	ØC	Øg	f		t	n-Øh
32A	190.0	190.0	95.0	70.0	10K FF	15.0	95.0	70.0	-	-	12.0	4-15	7.0
32A	190.0	190.0	95.0	70.0	10K RF	15.0	95.0	70.0	51.0	1.0	12.0	4-15	7.0



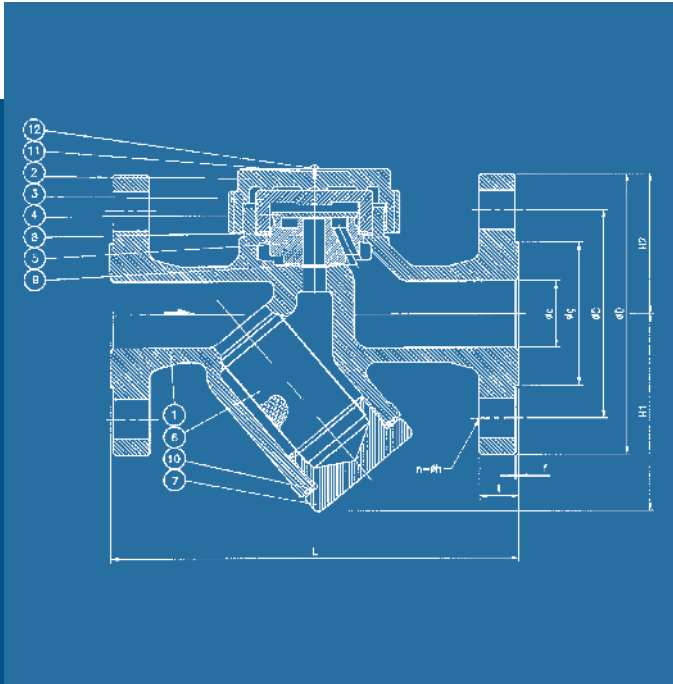
www.wosupply.com

TECHNICAL DATA

STEAM TRAP FLANGED - 16K

TDC-1F

YTDC-F-J02



TECHNICAL FEATURES

1	body	FCD450
2	insulation cap	FCD450
3	cap	SCS13
4	disc	SUS420J2
5	seat	SUS410
6	screen	SUS304
7	plug	FCD450
8	seat gasket (out)	PTFE
9	seat gasket (in)	PTFE
10	plug gasket	non-asbestos
11	name plate	SUS304
12	rivet	AL

SPECIFICATION

1. Applicable fluid : steam
2. Working pressure : max 16 kgf/cm²
3. Working temperature : max 220°C
4. Hydro. test pressure : working pressure x 1.5
5. End connection : JIS B 2220 flange
6. Painting : heat resistance silver color

DIMENSIONS

Valve N°	size (mm)	L (mm)	H1 (mm)	H2 (mm)	Flange	FLANGE JIS B 2220		FLANGE JIS B 2220			Weight (kg)		
						Ød	ØD	ØC	Øg	f		t	n-Øh
32A	190.0	190.0	95.0	70.0	16K FF	15.0	95.0	70.0	-	-	12.0	4-15	7.0
32A	190.0	190.0	95.0	70.0	16K RF	15.0	95.0	70.0	51.0	1.0	12.0	4-15	7.0



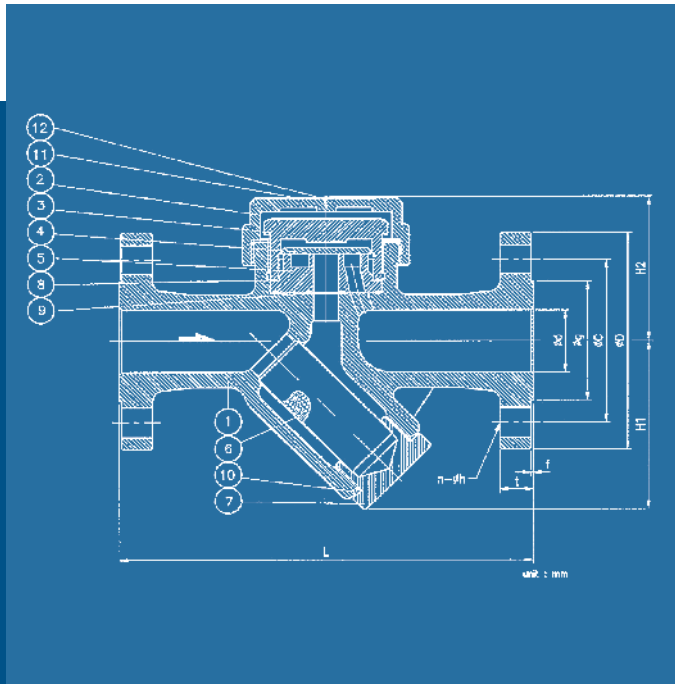
www.wosupply.com

TECHNICAL DATA

STEAM TRAP FLANGED - 5K

TDC-1F

YTDC-F-J03



TECHNICAL FEATURES

1	body	FCD450
2	insulation cap	FCD450
3	cap	SCS13
4	disc	SUS420J2
5	seat	SUS410
6	screen	SUS304
7	plug	FCD450
8	seat gasket (out)	PTFE
9	seat gasket (in)	PTFE
10	plug gasket	non-asbestos
11	name plate	SUS304
12	rivet	AL

SPECIFICATION

1. Applicable fluid : steam
2. Working pressure : max 16 kgf/cm²
3. Working temperature : max 220°C
4. Hydro. test pressure : working pressure x 1.5
5. End connection : JIS B 2220 flange
6. Painting : heat resistance silver color

DIMENSIONS

Valve N°	size (mm)	L (mm)	H1 (mm)	H2 (mm)	Flange	FLANGE JIS B 2220		FLANGE JIS B 2220			Weight (kg)		
						Ød	ØD	ØC	Øg	f		t	n-Øh
40A	255.0	255.0	112.0	94.0	5K FF	40.0	120.0	95.0	-	-	9.0	4-15	9.0
40A	255.0	255.0	112.0	94.0	5K RF	40.0	120.0	95.0	75.0	2.0	9.0	4-15	9.0
60A	132.0	132.0	60.0	52.0	5K FF	50.0	130.0	105.0	-	-	10.0	4-15	11.0
60A	132.0	132.0	60.0	52.0	5K RF	50.0	130.0	105.0	85.0	2.0	10.0	4-12	11.0



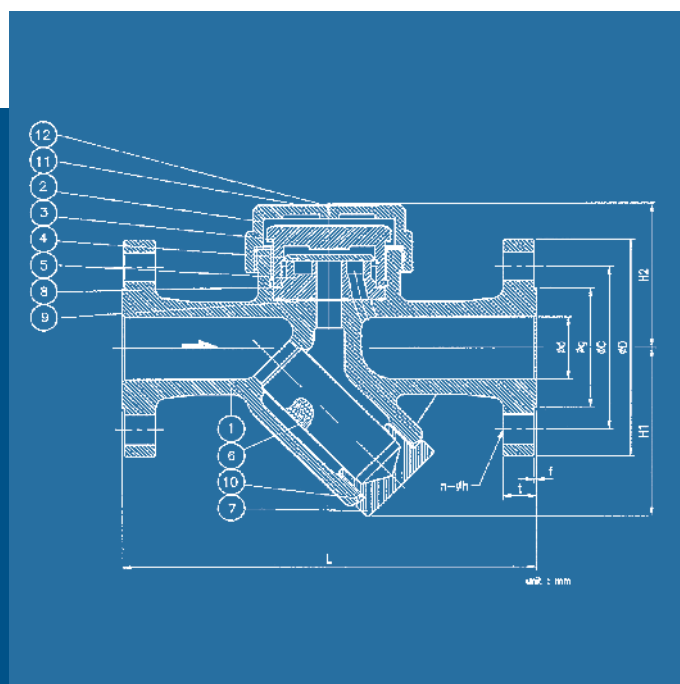
www.wosupply.com

TECHNICAL DATA

STEAM TRAP FLANGED - 10K

TDC-1F

YTDC-F-J03



TECHNICAL FEATURES

1	body	FCD450
2	insulation cap	FCD450
3	cap	SCS13
4	disc	SUS420J2
5	seat	SUS410
6	screen	SUS304
7	plug	FCD450
8	seat gasket (out)	PTFE
9	seat gasket (in)	PTFE
10	plug gasket	non-asbestos
11	name plate	SUS304
12	rivet	AL

SPECIFICATION

1. Applicable fluid : steam
2. Working pressure : max 16 kgf/cm²
3. Working temperature : max 220°C
4. Hydro. test pressure : working pressure x 1.5
5. End connection : JIS B 2220 flange
6. Painting : heat resistance silver color

DIMENSIONS

Valve N°	size (mm)	L (mm)	H1 (mm)	H2 (mm)	Flange	FLANGE JIS B 2220		FLANGE JIS B 2220		t	n-Øh	Weight (kg)	
						Ød	ØD	ØC	Øg				
40A	260.0	260.0	112.0	94.0	10K FF	40.0	140.0	105.0	-	-	12.0	4-19	10.0
40A	260.0	260.0	112.0	94.0	10K RF	40.0	140.0	105.0	81.0	2.0	12.0	4-19	10.0
60A	140.0	140.0	60.0	52.0	10K FF	50.0	155.0	120.0	-	-	14.0	4-19	12.0
60A	140.0	140.0	60.0	52.0	10K RF	50.0	155.0	120.0	96.0	2.0	14.0	4-19	12.0



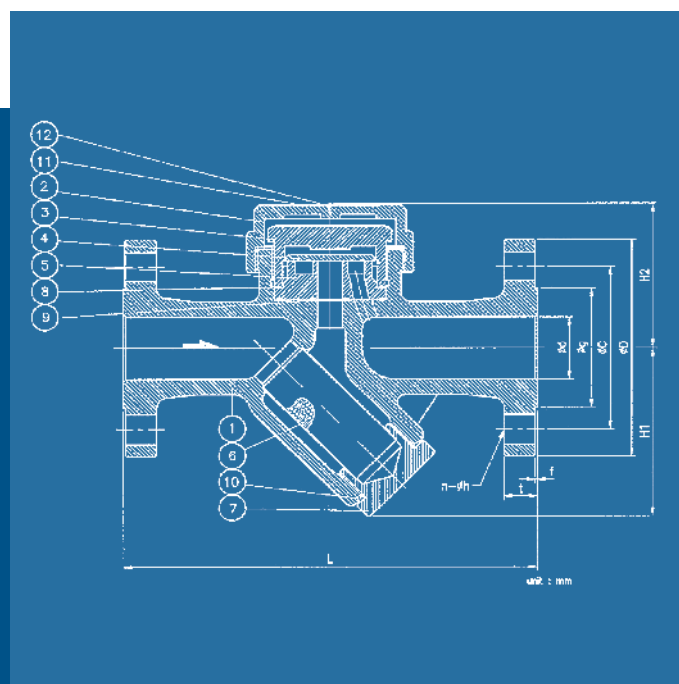
www.wosupply.com

TECHNICAL DATA

STEAM TRAP FLANGED - 16K

TDC-1F

YTDC-F-J03



TECHNICAL FEATURES

1	body	FCD450
2	insulation cap	FCD450
3	cap	SCS13
4	disc	SUS420J2
5	seat	SUS410
6	screen	SUS304
7	plug	FCD450
8	seat gasket (out)	PTFE
9	seat gasket (in)	PTFE
10	plug gasket	non-asbestos
11	name plate	SUS304
12	rivet	AL

SPECIFICATION

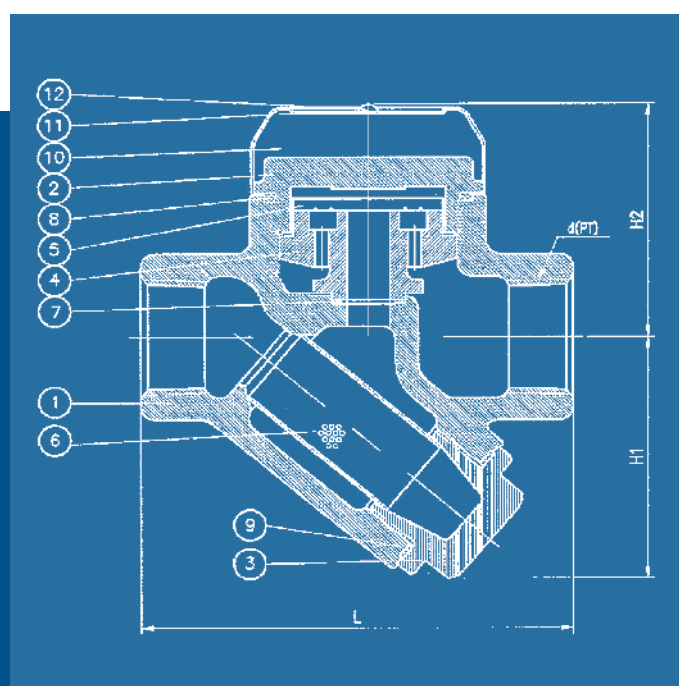
1. Applicable fluid : steam
2. Working pressure : max 16 kgf/cm²
3. Working temperature : max 220°C
4. Hydro. test pressure : working pressure x 1.5
5. End connection : JIS B 2220 flange
6. Painting : heat resistance silver color

DIMENSIONS

Valve N°	size (mm)	L (mm)	H1 (mm)	H2 (mm)	Flange	FLANGE JIS B 2220		FLANGE JIS B 2220		t	n-Øh	Weight (kg)	
						Ød	ØD	ØC	Øg				
40A	260.0	260.0	112.0	94.0	16K FF	40.0	140.0	105.0	-	-	12.0	4-19	10.0
40A	260.0	260.0	112.0	94.0	16K RF	40.0	140.0	105.0	81.0	2.0	12.0	4-19	10.0
60A	140.0	140.0	60.0	52.0	16K FF	50.0	155.0	120.0	-	-	14.0	8-19	12.0
60A	140.0	140.0	60.0	52.0	16K RF	50.0	155.0	120.0	96.0	2.0	14.0	8-19	12.0

TECHNICAL DATA

STEAM TRAP THREADED



TECHNICAL FEATURES

1	body	FCD450
2	cap	SCS13
3	plug	SC480
4	seat	SUS410
5	disc	SUS420J2
6	screen	SUS304
7	seat gasket	PTFE
8	cap gasket	PTFE
9	plug gasket	non-asbestos
10	insulation cap	SUS304
11	name plate	SUS304
12	rivet	AL

SPECIFICATION

1. Applicable fluid : steam
2. Working pressure : max 16 kgf/cm²
3. Working temperature : max 220°C
4. Hydro. test pressure : working pressure x 1.5
5. End connection : JIS B0203 pipe taper thread
6. Painting : heat resistance silver color

DIMENSIONS

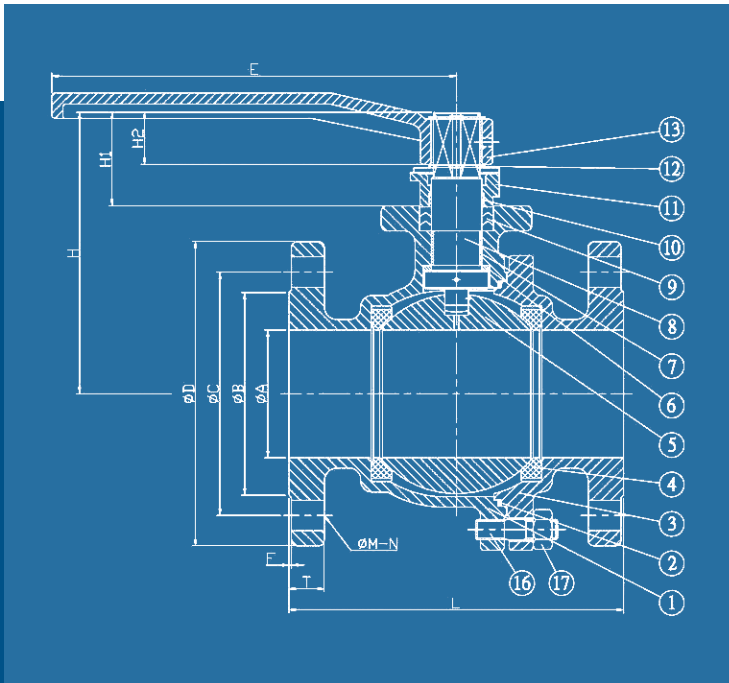
Valve N°	size (mm)	L (mm)	H1 (mm)	H (mm)	d(PT) (inch)	Weight (kg)
15A		90.0	56.0	52.0	1/2"	0.5
20A		95.0	56.0	52.0	3/4"	0.5
25A		100.0	61.0	52.0	1"	1.0
32A		180.0	110.0	95.0	1 1/4"	8.0
40A		180.0	110.0	95.0	1 1/2"	7.0



www.wosupply.com

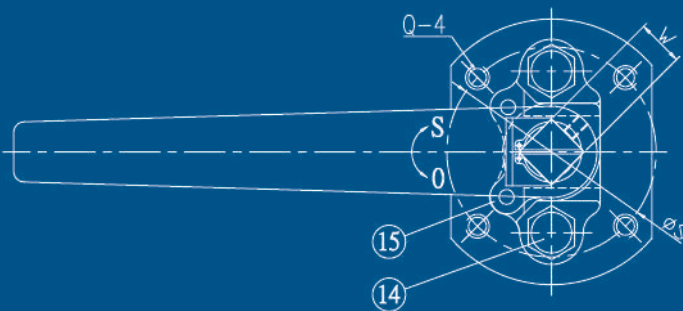
TECHNICAL DATA

2-PC FLANGED BALL VALVE FULL BORE - JIS 5K/10K



TECHNICAL FEATURES

1	body	CF8M
2	body seal	PTFE
3	end cap	CF8M
4	seat	RTFE (+15% G/F)
5	ball	CF8M
6	thrust washer	PTFE
7	stem bushing	PTFE
8	stem	SS 316
9	stem packing	PTFE
10	gland bearing	PTFE
11	gland	SS 304
12	snap ring	SS 304
13	handle	FCD 45
14	bolt	SS 304
15	stop plate	SS 304
16	stud	ASTM A193 Gr B8
17	nut	ASTM A193 Gr 8

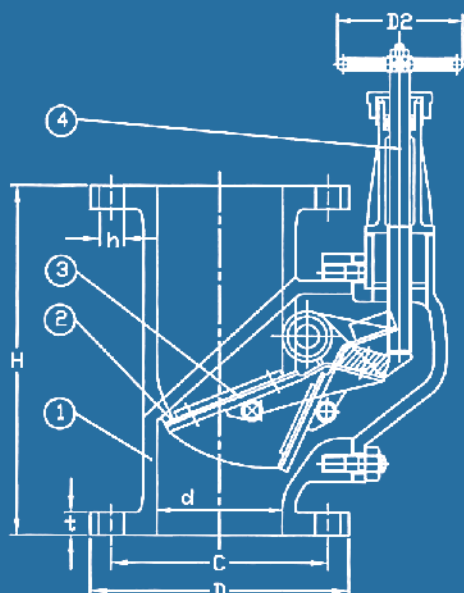


DIMENSIONS

Valve size	A (mm)	B (mm)	C (mm)	D (mm)	E (mm)	F (mm)	H (mm)	H1 (mm)	H2 (mm)	L (mm)	W (mm)	S (mm)	T (mm)	Q (mm)	ØM-N (mm)
1-1/2"	38.0	75.0	95.0	120.0	200.0	2.0	108.9	38.4	21.5	165.0	17.0	70.0	16.0	M8	15-4
2"	50.0	85.0	105.0	130.0	200.0	2.0	116.5	38.4	21.5	178.0	17.0	70.0	16.0	M8	15-45
4"	98.0	141.0	165.0	200.0	330.0	2.0	193.3	60.3	33.1	229.0	22.0	102.0	18.0	M10	19-8

TECHNICAL DATA

STORM VALVE - VERTICAL CAST STEEL - 5K



TEST PRESSURE (kgf/m²)

Nominal Dia	JIS 5K
50 to 200	5.1

DIMENSIONS

Rating	size (mm)	H (mm)	D (mm)	C (mm)	No.	h (mm)	t (mm)	L1 (mm)	D2 (kg)	Weight
JIS 5K	050	210	130	105	4	15	16	-	100	11.5
(JIS F730595K)	065	240	155	130	4	15	18	-	100	16.5
	080	260	180	145	4	19	18	-	125	21.6
	100	280	200	165	8	19	20	-	125	29.6
	125	330	235	200	8	19	20	-	125	43.6
	150	360	265	230	8	19	22	-	125	51.6
	200	459	320	280	8	23	24	-	125	106.5

TECHNICAL FEATURES

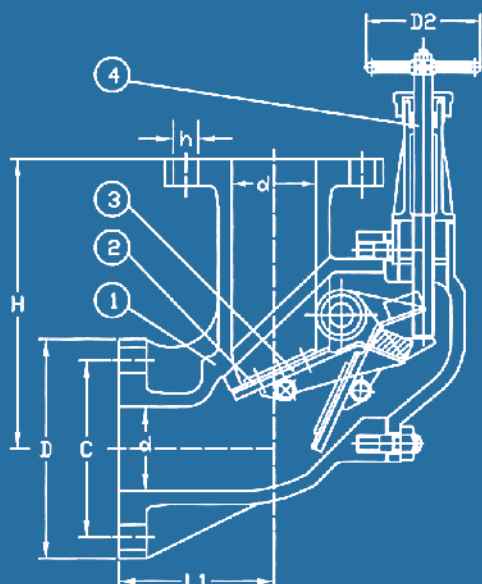
1	body	cast steel
2	bonnet	cast steel
3	disc	bronze
4	disc lever	bronze
5	weight	lead
6	bushing	bronze
7	nut	bronze
8	gland	bronze
9	spindle	brass
10	plug	brass
11	stud bolt & nut	brass
12	screw & nut	brass
13	pin	brass
14	packing	asbestos
15	packing	neoprone
16	plate	bronze/brass plate
17	screw & nut	brass
18	gasket	asbestos
19	handwheel	cast iron
20	name plate	brass
21	handle nut	brass
22	split pin	brass wire



www.wosupply.com

TECHNICAL DATA

STORM VALVE - ANGLE CAST STEEL - 5K



TEST PRESSURE (kgf/m²)

Nominal Dia	JIS 5K
50 to 200	5.1

DIMENSIONS

Rating	size (mm)	H (mm)	D (mm)	C (mm)	No.	h (mm)	t (mm)	L1 (mm)	D2 (kg)	Weight
JIS 5K	050	170	130	105	4	15	16	90	100	13
(JIS F730595K)	065	200	155	130	4	15	18	110	100	19
	080	220	180	145	4	19	18	120	125	23.8
	100	250	200	165	8	19	20	130	125	34.5
	125	270	235	200	8	19	20	150	125	50
	150	310	265	230	8	19	22	170	125	67
	200	400	320	280	8	23	24	190	125	111

TECHNICAL FEATURES

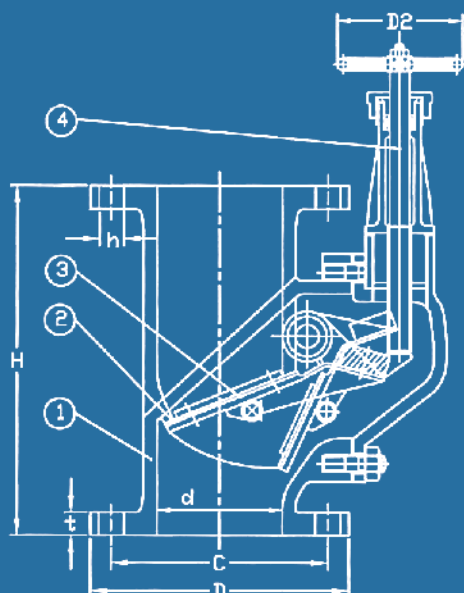
1	body	cast steel
2	bonnet	cast steel
3	disc	bronze
4	disc lever	bronze
5	weight	lead
6	bushing	bronze
7	nut	bronze
8	gland	bronze
9	spindle	brass
10	plug	brass
11	stud bolt & nut	brass
12	screw & nut	brass
13	pin	brass
14	packing	asbestos
15	packing	neoprone
16	plate	bronze/brass plate
17	screw & nut	brass
18	gasket	asbestos
19	handwheel	cast iron
20	name plate	brass
21	handle nut	brass
22	split pin	brass wire



www.wosupply.com

TECHNICAL DATA

STORM VALVE - VERTICAL CAST STEEL - 10K



TEST PRESSURE (kgf/m²)

Nominal Dia	JIS 5K
50 to 200	5.1

DIMENSIONS

Rating	size (mm)	H (mm)	D (mm)	C (mm)	No.	h (mm)	t (mm)	L1 (mm)	D2 (kg)	Weight
JIS 10K	050	210	155	120	4	19	16	-	100	11.5
(JIS F7305910K)	065	240	175	140	4	19	18	-	100	16.5
	080	260	185	150	8	19	18	-	125	21.6
	100	280	210	175	8	19	18	-	125	29.6
	125	330	250	210	8	23	20	-	125	43.6
	150	360	280	240	8	23	22	-	125	51.6
	200	459	330	290	12	23	22	-	125	106.5

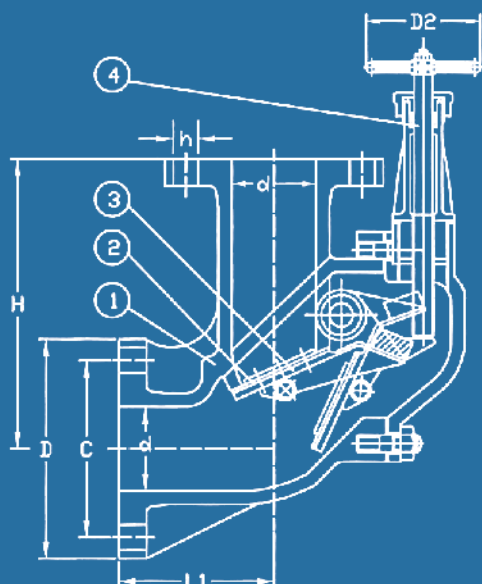
TECHNICAL FEATURES

1	body	cast steel
2	bonnet	cast steel
3	disc	bronze
4	disc lever	bronze
5	weight	lead
6	bushing	bronze
7	nut	bronze
8	gland	bronze
9	spindle	brass
10	plug	brass
11	stud bolt & nut	brass
12	screw & nut	brass
13	pin	brass
14	packing	asbestos
15	packing	neoprone
16	plate	bronze/brass plate
17	screw & nut	brass
18	gasket	asbestos
19	handwheel	cast iron
20	name plate	brass
21	handle nut	brass
22	split pin	brass wire

www.wosupply.com

TECHNICAL DATA

STORM VALVE - ANGLE CAST STEEL - 10K



TEST PRESSURE (kgf/m²)

Nominal Dia JIS 5K

50 to 200 5.1

DIMENSIONS

Rating	size (mm)	H (mm)	D (mm)	C (mm)	No.	h (mm)	t (mm)	L1 (mm)	D2 (kg)	Weight
JIS 10K	050	170	155	120	4	19	16	90	100	13
(JIS F7306010K)	065	200	175	140	4	19	18	110	100	19
	080	220	185	150	8	19	18	120	125	23.8
	100	250	210	175	8	19	18	130	125	34.5
	125	270	250	210	8	23	20	150	125	50
	150	310	280	240	8	23	22	170	125	67
	200	400	330	290	12	23	22	190	125	111

TECHNICAL FEATURES

1	body	cast steel
2	bonnet	cast steel
3	disc	bronze
4	disc lever	bronze
5	weight	lead
6	bushing	bronze
7	nut	bronze
8	gland	bronze
9	spindle	brass
10	plug	brass
11	stud bolt & nut	brass
12	screw & nut	brass
13	pin	brass
14	packing	asbestos
15	packing	neoprone
16	plate	bronze/brass plate
17	screw & nut	brass
18	gasket	asbestos
19	handwheel	cast iron
20	name plate	brass
21	handle nut	brass
22	split pin	brass wire



www.wosupply.com