

PROCHEM

Your Source for Local Supply and Support

INSTRUMENTATION HOKE NPT BALL VALVES



PIPING PRODUCTS



INSTRUMENTATION



VALVES AND ACTUATORS



MANUFACTURING



INDENT SERVICE



HYDRAULIC



HOKE NPT Ball Valves

7510F-RH-FTAX SERIES



2-WAY FULL BORE 2-PIECE STAINLESS NPT 2000 PSI W.O.G.

Full Bore 2-piece threaded valves allowing straight-through flow. Virtually no head loss and a superior performer with mildly abrasive as well as corrosive fluids. Ideal for in-line control of process fluids.

Available in sizes 8 mm to 50 mm (1/4" to 2").

- All 316 wetted and non wetted components
- Full Port
- 2-piece body
- Investment cast CF8M
- Anti-blowout stem
- Locking SS handle
- Adjustable stem packing
- Actuator mounting pad to ISO 5211
- Seat material Reinforced TFE
- High Tolerance NPT Thread Specification
- Basic design complies with ANSI B16.34 & EN 12516-1
- Tested according to API 598
- 3.1 Inspection Certification – Material & Pressure Testing (Shell & Seat)

7520F-RH-AX SERIES



2-WAY FULL BORE 3-PIECE STAINLESS NPT 1000 PSI W.O.G.

3-piece construction allows end connections to be permanently fitted to the pipe, so the valve body can be removed enabling replacement of seals without disturbing pipework.

Available in sizes 8 mm to 50 mm (1/4" to 2").

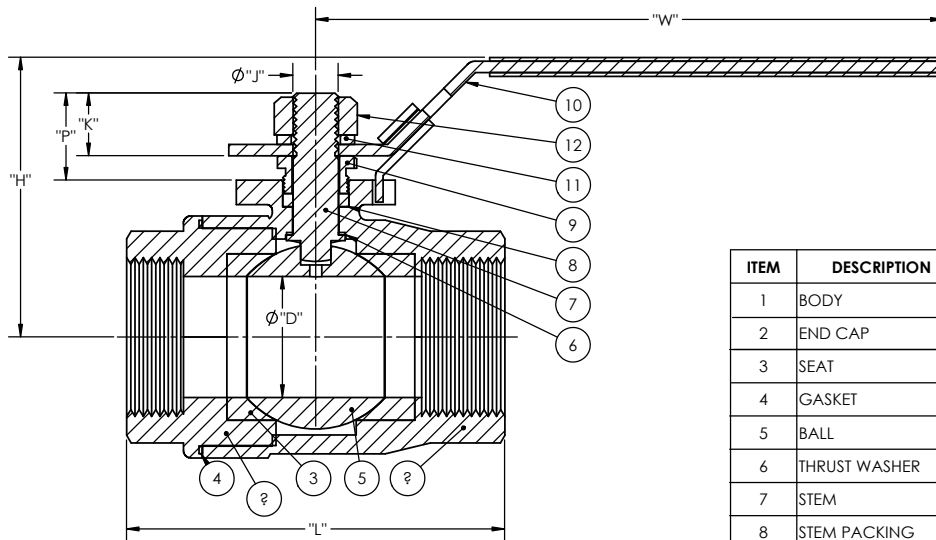
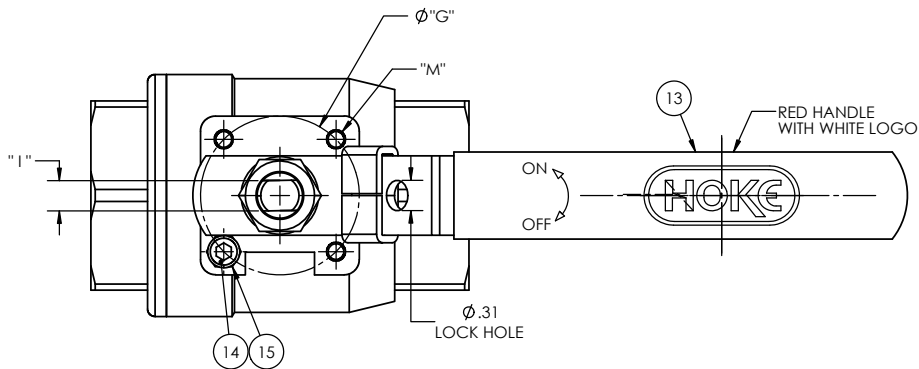
- Full port
- 3-piece swing out body
- Investment cast CF8M
- In-line repairable
- Anti-blowout stem
- Locking SS handle
- Adjustable stem packing
- Actuator mounting pad to ISO 5211
- Seat material Reinforced TFE
- High Tolerance NPT Thread Specification
- Basic design complies with ANSI B16.34
- Tested according to API 598
- 3.1 Inspection Certification – Material & Pressure Testing (Shell & Seat)

Part Number	Size
7510F4Y-RH-FTAX	8 NPT (1/4")
7510F6Y-RH-FTAX	10 NPT (3/8")
7510F8Y-RH-FTAX	15 NPT (1/2")
7510F12Y-RH-FTAX	20 NPT (3/4")
7510F16Y-RH-FTAX	25 NPT (1")
7510F20Y-RH-FTAX	32 NPT (1 1/4")
7510F24Y-RH-FTAX	40 NPT (1 1/2")
7510F32Y-RH-FTAX	50 NPT (2")

Part Number	Size
7520F4Y-RH-AX	8 NPT (1/4")
7520F6Y-RH-AX	10 NPT (3/8")
7520F8Y-RH-AX	15 NPT (1/2")
7520F12Y-RH-AX	20 NPT (3/4")
7520F16Y-RH-AX	25 NPT (1")
7520F20Y-RH-AX	32 NPT (1 1/4")
7520F24Y-RH-AX	40 NPT (1 1/2")
7520F32Y-RH-AX	50 NPT (2")

7510F_xY-RH-FTAX SERIES

2-PIECE FULL PORT BALL VALVES,
NPT THREADED ENDS, 1/4" TO 2"; 2000 PSI W.O.G., ISO 5211
MOUNTING PAD, LOCKABLE LEVER HANDLE.



ITEM	DESCRIPTION	7510F[]-RH-FTAX
1	BODY	ASTM A351-CF8M
2	END CAP	ASTM A351-CF8M
3	SEAT	RTFE
4	GASKET	RTFE
5	BALL	STM A351-CF8M/316
6	THRUST WASHER	PTFE
7	STEM	ASTM A276-316
8	STEM PACKING	PTFE
9	GLAND	AISI 316
10	HANDLE	AISI 316
11	HANDLE WASHER	AISI 316
12	HANDLE NUT	AISI 316
13	HANDLE COVER	PVC
14	STOP SCREW	AISI 316
15	NUT	AISI 316

HOW TO ORDER

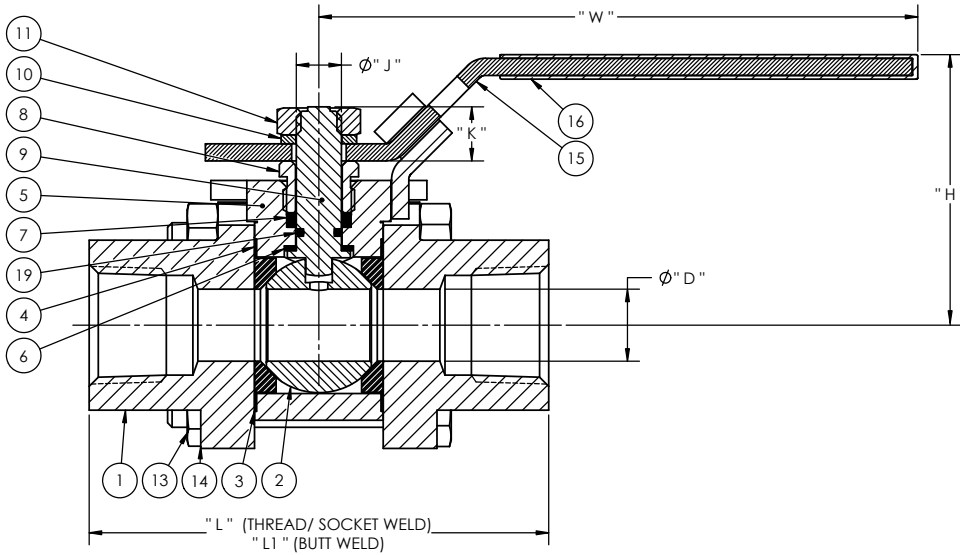
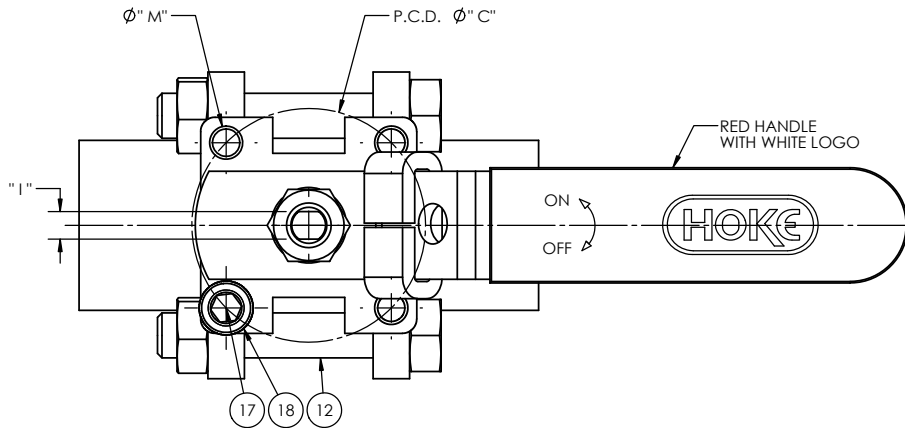
FULL 316SST TRIM

7510F[]-RH-FTAX
 └─ FULL 316SST TRIM
 └─ RED HANDLE

PART NUMBER	SIZE	$\phi "D"$	$"L"$	$"I"$	$\phi "J"$	$"K"$	$\phi "G"$	$"H"$	$"W"$	$"P"$	$"M"$
		INCH	INCH	INCH	INCH	INCH	INCH	INCH	INCH	INCH	MM
7510F4Y-RH-FTAX	1/4"	0.43	2.32	0.2	0.31	0.35	1.42	2.17	5.31	0.59	M5
7510F6Y-RH-FTAX	3/8"	0.49	2.32	0.2	0.31	0.35	1.42	2.17	5.31	0.59	M5
7510F8Y-RH-FTAX	1/2"	0.59	2.54	0.2	0.31	0.45	1.42	2.24	5.31	0.69	M5
7510F12Y-RH-FTAX	3/4"	0.79	2.87	0.24	0.39	0.59	1.42	2.46	5.31	0.79	M5
7510F16Y-RH-FTAX	1"	0.98	3.37	0.31	0.47	0.063	1.65	2.7	6.5	0.93	M5
7510F20Y-RH-FTAX	1-1/4"	1.26	3.94	0.31	0.47	0.071	1.65	2.91	6.5	1	M5
7510F24Y-RH-FTAX	1-1/2"	1.5	4.53	0.39	0.55	0.079	1.97	3.56	6.89	1.05	M6
7510F32Y-RH-FTAX	2"	1.97	5.28	0.39	0.55	0.79	1.97	4.09	6.89	1.05	M6

7520FY-RH-AX SERIES

3-PIECE FULL PORT, NPT THREADED ENDS, 1000 PSI W.O.G., ISO 5211 MOUNTING PAD, LOCKABLE LEVER HANDLE.



ITEM	DESCRIPTION	7520F[]-RH-AX
1	END CAP	ASTM A351-CF8M
2	BALL	STM A351-CF8M/316
* 3	SEAT	RTFE
* 4	GASKET	RTFE
5	BODY	ASTM A351-CF8M
* 6	THRUST WASHER	PTFE
* 7	STEM PACKING	PTFE
8	GLAND	AISI 304
9	STEM	ASTM A276-316
10	HANDLE WASHER	AISI 304
11	HANDLE NUT	AISI 304
12	BOLT	AISI 304
13	BOLT NUT	AISI 304
14	BOLT WASHER	AISI 304
15	HANDLE	AISI 304
16	HANDLE COVER	PVC
17	STOP SCREW	AISI 304
18	NUT	AISI 304
* 19	O-RING	VITON

*** INDICATES RECOMMENDED SPARE PARTS.

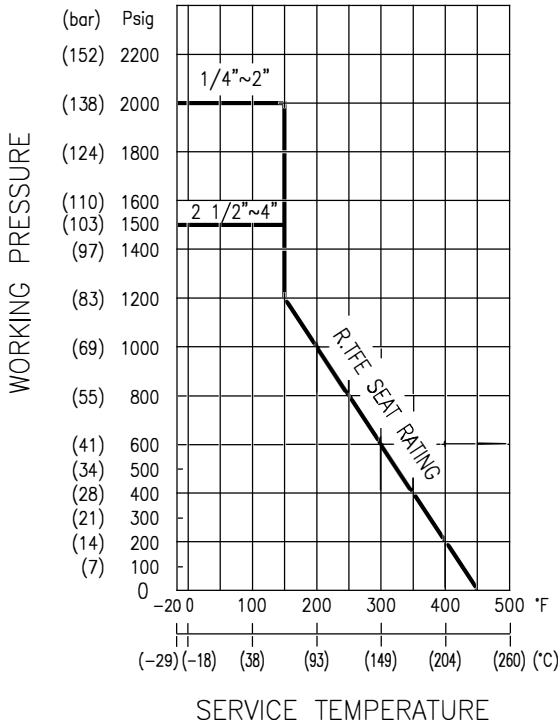
HOW TO ORDER

7520F[]-RH-AX
 |
 | RED HANDLE

PART NUMBER	SIZE	ϕ "D"	ϕ "E"	ϕ "F"	ϕ "G"	"L"	"L1"	"I"	ϕ "J"	"K"	ϕ "C"	"M"	"X"	"H"	"W"
		INCH	INCH	INCH	INCH	INCH	INCH	INCH	INCH	INCH	INCH	MM	INCH	INCH	INCH
7520F4Y-RH-AX	1/4"	0.43	0.56	0.57	0.39	2.56	2.56	0.2	0.31	0.36	1.42	M5	0.39	2.15	5.31
7520F6Y-RH-AX	3/8"	0.49	0.69	0.72	0.53	2.56	2.56	0.2	0.31	0.36	1.42	M5	0.39	2.15	5.31
7520F8Y-RH-AX	1/2"	0.59	0.86	0.88	0.66	2.76	2.8	0.2	0.31	0.32	1.42	M5	0.51	2.36	5.31
7520F12Y-RH-AX	3/4"	0.79	1.07	1.09	0.87	3.15	3.23	0.24	0.39	0.55	1.42	M5	0.59	2.46	5.31
7520F16Y-RH-AX	1"	1	1.33	1.37	1.09	3.54	3.62	0.31	0.47	0.65	1.65	M5	0.59	2.72	6.5
7520F20Y-RH-AX	1-1/4"	1.26	1.68	1.7	1.42	4.13	4.33	0.31	0.47	0.65	1.65	M5	0.59	2.89	6.5
7520F24Y-RH-AX	1-1/2"	1.5	1.92	1.94	1.65	4.72	5	0.39	0.55	0.79	1.97	M6	0.63	3.6	6.89
7520F32Y-RH-AX	2"	1.97	2.41	2.42	2.11	5.28	5.91	0.39	0.55	0.71	1.97	M6	0.67	3.96	6.89

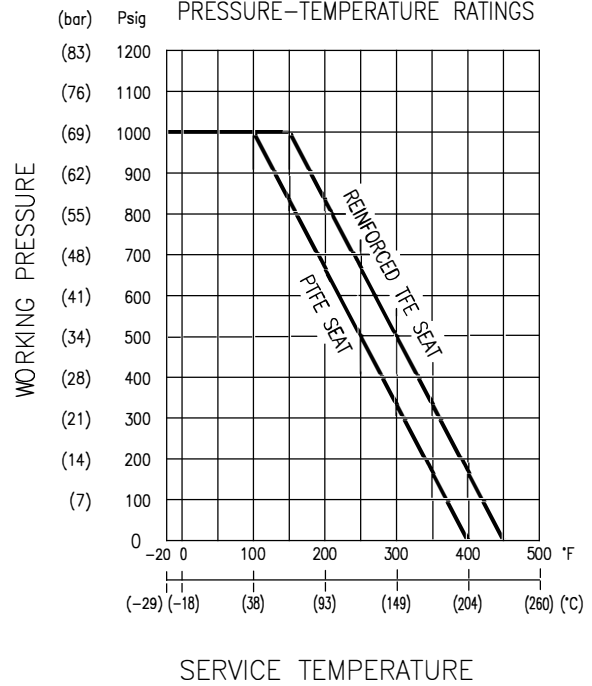
**7510FY-RH-FTAX SERIES
2000 WOG**

PRESSURE-TEMPERATURE RATINGS



**7520FY-RH-AX SERIES
1000 WOG**

PRESSURE-TEMPERATURE RATINGS



FOR FURTHER DETAILS PLEASE CONTACT YOUR LOCAL PROCHEM OFFICE

ADELAIDE

3A CB Fisher Drive, CAVAN
South Australia
Australia 5094
Telephone 61-8-8241 7633
Email sales@prochem.com.au

HOBART

96-98 Central Avenue
Derwent Park, Tasmania
Australia 7009
Telephone 61-3-6272 8828
Email sales@prochem.com.au

PERTH

6 Forge Street
Welshpool, Western Australia
Australia 6106
Telephone 61-8-9458 7777
Email sales@prochem.com.au

BRISBANE

1-5 Kingsbury Street
Brendale, Queensland
Australia 4500
Telephone 61-7-3265 2711
Email sales@prochem.com.au

MELBOURNE

5-15 Ventura Place
Dandenong South, Victoria
Australia 3175
Telephone 61-3-9799 2244
Email sales@prochem.com.au

SYDNEY

30 Enterprise Circuit
Prestons, New South Wales
Australia 2170
Telephone 61-2-9727 0044
Email sales@prochem.com.au

www.prochem.com.au | 1300 287 777 | sales@prochem.com.au