



A PSC COMPANY

Prochem - Adelaide

3A CB Fisher Drive

Cavan, South Australia, 5094

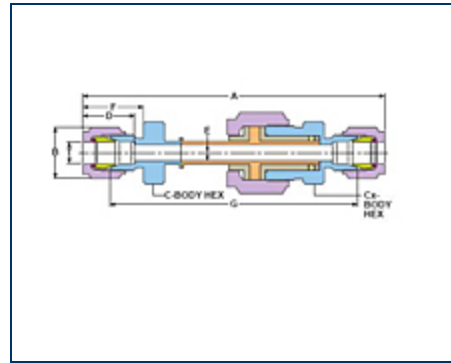
Phone: 61-8-8241 7633, 61-8-8241 7644

Email: adesales@prochem.com.au

Website: <http://vps-prochem.dbgtechnologies.com>

Item # 4DU-316, Dielectric Unions: DU

The HOKE Gyrolok Dielectric Tube Fittings are for use in applications where electrical current flowing through a pipe or tube line must be interrupted to protect vital instrumentation and metering equipment.



[Specifications](#) | [Features & Benefits](#) | [Application](#)

Specifications

Material	316 Stainless Steel
T - Tube O.D.	1/4 in
A	3.78 in
B - Hex Flat	9/16 in
C - Hex Flat	1/2 in
Cx - Hex Flat	11/16 in
D	.64 in
E Min	.19 in
F	.77 in
G	3.12 in

Features & Benefits

Features:

Thermoplastic Insulators with:

Resistance in excess of 108 ohms at 70° F (21°C) and 50% relative humidity.

Resistance in excess of 106 ohms at 100° F (38°C) and 90% relative humidity.

Metal components made of 316 Stainless Steel:

Appropriate orifice for fitting size (e.g. .422" orifice in 1/2" fitting):

HOKE Gyrolok tube fitting ends:

Benefits:

Maximum safety and protection to critical monitoring station instrumentation.

Long component life in rugged environment.

Maximum flow capability provided by all sizes of HOKE Gyrolok Dielectric tube fittings.

The unique value and performance offered by HOKE Gyrolok.

Application

Commonly used in the Natural Gas Transmission industry, the Dielectric Fitting will prevent current flow resulting from Impressed Current Cathodic Protection Systems, static electricity or even lightning strikes, from reaching sensitive monitoring station equipment.

Impressed Current Cathodic Protection Systems involve the application of a low voltage, low amperage direct current to a pipeline and eventual transfer of corrosive effects to a typically underground anode bed.

If the current flow is not interrupted before reaching the monitoring station critical equipment could be damaged or rendered inaccurate.

By installing HOKE's Gyrolok Dielectric Tube Fitting on impulse lines between the pipeline and the monitoring station, current flow is interrupted while full fluid flow is permitted.