



A P&O COMPANY

**Prochem** - Adelaide

3A CB Fisher Drive

Cavan, South Australia, 5094

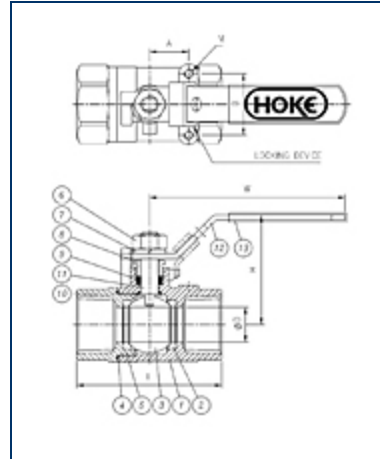
**Phone:** 61-8-8241 7633, 61-8-8241 7644

**Email:** [adesales@prochem.com.au](mailto:adesales@prochem.com.au)

**Website:** <http://vps-prochem.dbgtechnologies.com>

## Item # 7510F12Y, 2-Piece Standard Port Ball Valves (Threaded ends)

2-Piece Standard Port Ball Valves, Threaded Ends, 2000PSI (138 Bar) W.O.G.



[Specifications](#) | [Features](#) | [Family Features](#)

### Specifications

Type of Handle	Leveler
SIZE	3/4 in
D	0.59 in
L	2.70 in
A	1/2 in
B	1.12 in
H	2.24 in
W	3.70 in
M	10-24UNC

Maximum Operating Pressure	138 bar 2000 psi
Material Body	ASTM A351-CF8M/316

## Features

- Reinforced TFE seats increase durability
- Adjustable packing gland
- Bottom-loaded blow-out proof stem
- Basic design complies with ANSI B16.34 & EN 12516-1
- High Tolerance NPT Thread Specification
- Tested according to API 598
- Lever Style handle with locking device
- Part Number and Brand embossed on the body
- Tapped Mounting Pad

## Family Features

- Low Pressure Design for Non-Critical Service
- Includes High Tolerance NPT Thread or Unique Gyrolok® Tube Connections
- Stainless Steel Construction
- Locking Handles